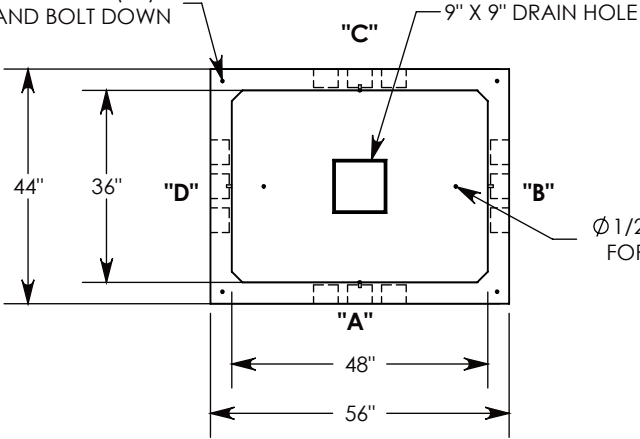


Ø 1/2"-13 UNC INSERTS (4X)
FOR LIFTING AND BOLT DOWN



Ø 1/2"-13 UNC INSERT (4X)
FOR LIFTING & PULLING

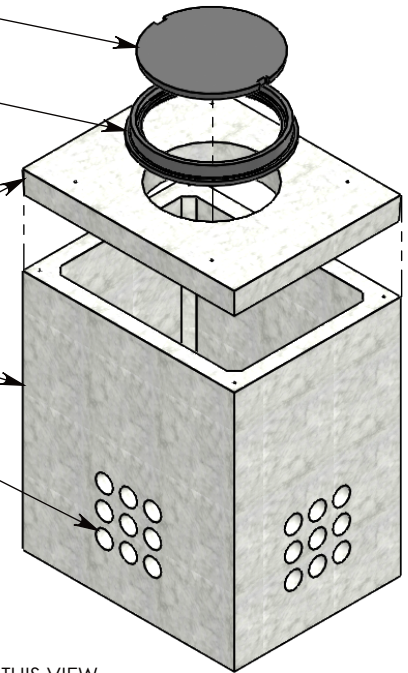
CAST IRON MANHOLE LID
~239 LBS
P/N: CI-32-26-CVR

34 INCH CAST IRON FRAME
~150 LBS
P/N: CI-32-26-FRM

H-20 HEAVY TRAFFIC RATED
CONCRETE MANHOLE COVER
~1016 LBS
P/N: 44-56-MH

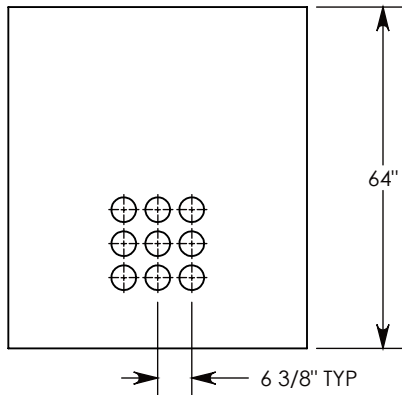
CONCRETE PULL BOX
~4259 LBS
P/N: PB9-44-56-64

CON-DUCT TERMINATIONS ARE CAST
INTO BOX SIDEWALLS. 9 PER SIDE (4X)
THEY FIT UP TO 4" PVC PIPE. TO ACCESS
THE HOLES, BREAK THE PLASTIC SEAL

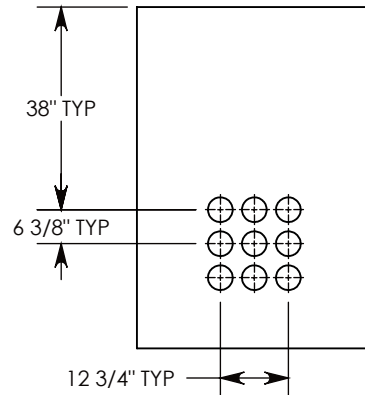


Ø 1/2"-13 UNC INSERT (4X) FOR
PULLING EYES. LOCATED ON
BOX INTERIOR (1X PER SIDE)

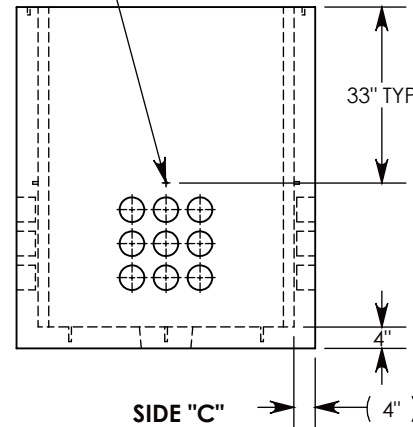
COVER SHOWN IN THIS VIEW



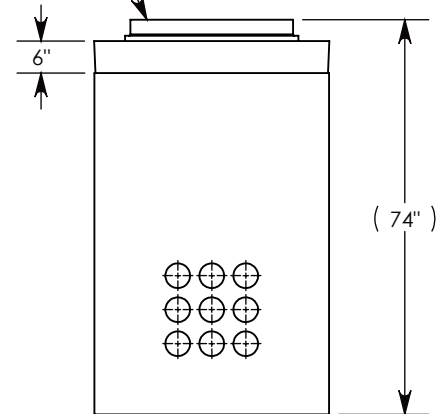
SIDE "A" (HLR)



SIDE "B" (HLR)



SIDE "C"



SIDE "D" (HLR)

NOTE 1: FOR PVC SIZES SMALLER THAN 4", USE CONCAST RC41 (REDUCING COUPLER).

DRAWN BY: ROBIN FLINT

DATE: 5/31/2018

REVISION LEVEL: B

WEIGHT:

5664 LBS. W/COVER

MATERIAL:

NOTED



1010 NORTH STAR DRIVE
P.O. BOX 69
ZUMBROTA, MN 55992-0069

DESCRIPTION:

PULL BOX W/ MANHOLE COVER

DIMENSIONS ARE IN INCHES
TOLERANCES:
FRACTIONAL: ± 1/8"
ANGULAR: ± 2°

CONTACT INFORMATION:
EMAIL: INFO@CONCASTINC.COM
PHONE: (507) 732-4095
FAX: (507) 732-4094

SHEET 1 OF 1

PART NUMBER:

PB9-44-56-64-MH