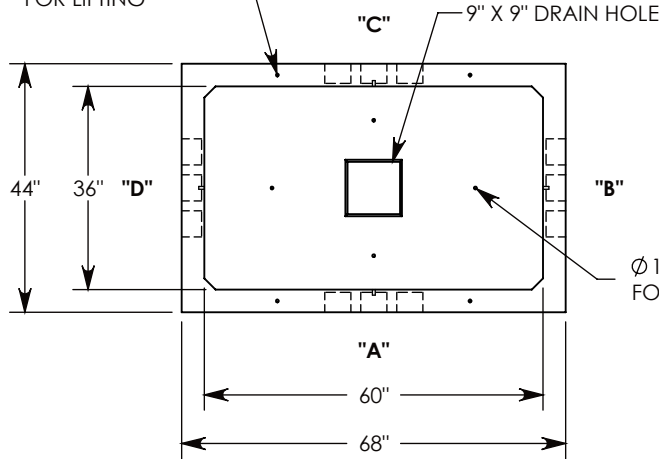


Ø 1/2"-13 UNC INSERTS (4X)
FOR LIFTING



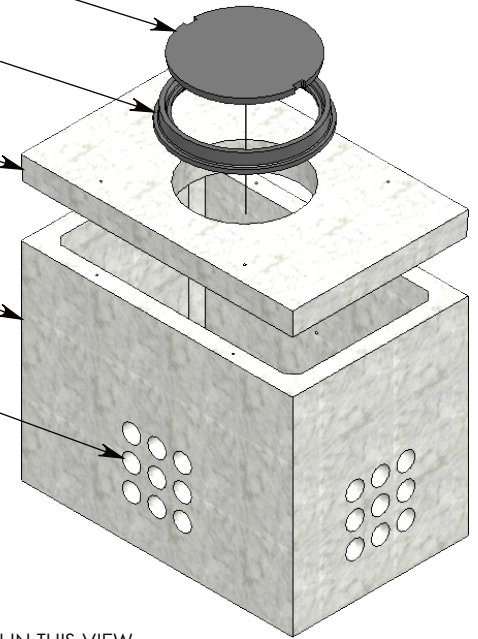
CAST IRON MANHOLE LID
~239 LBS
P/N: CI-32-26-CVR

34 INCH CAST IRON RAME
~150 LBS
P/N: CI-32-26-FRM

H-20 HEAVY TRAFFIC RATED
CONCRETE MANHOLE COVER
~1309 LBS
P/N: 44-68-MH

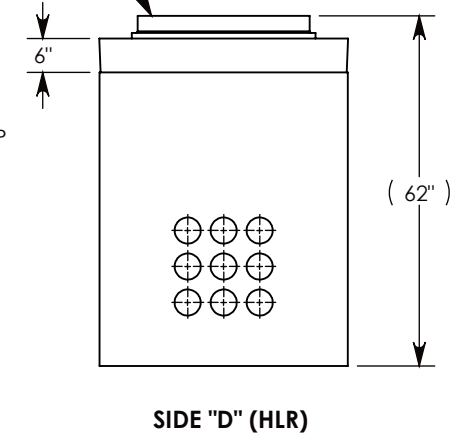
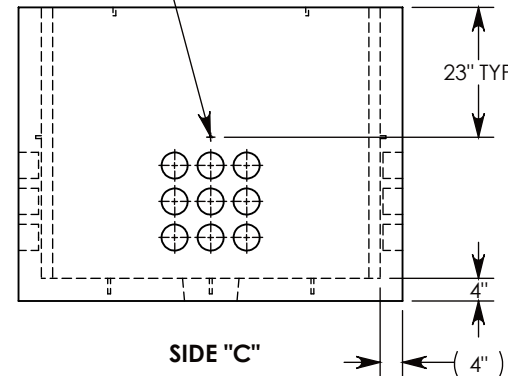
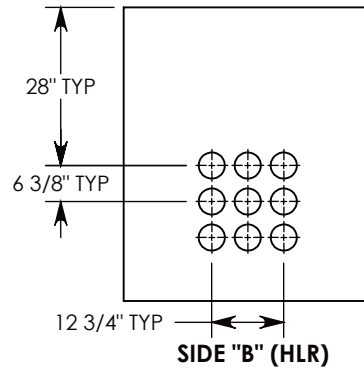
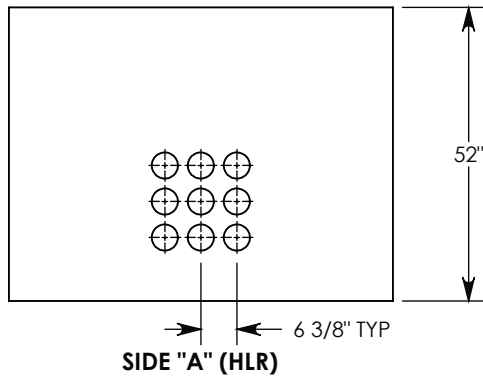
CONCRETE PULL BOX
~4078 LBS
P/N: PB9-44-68-52

CON-DUCT TERMINATIONS ARE CAST
INTO BOX SIDEWALLS. 9 PER SIDE (4X)
THEY FIT UP TO 4" PVC PIPE. TO ACCESS
THE HOLES, BREAK THE PLASTIC SEAL



Ø 1/2"-13 UNC INSERT (4X) FOR
PULING EYES. LOCATED ON
BOX INTERIOR (1X PER SIDE)

COVER SHOWN IN THIS VIEW



NOTE 1: FOR PVC SIZES SMALLER THAN 4", USE CONCAST RC41 (REDUCING COUPLER)

AASHTO H-20 RATED - 32,000 LB. SINGLE AXLE LOAD

DRAWN BY: **MALACHI MLINAR**

DATE: **8/1/2018**

REVISION LEVEL: **A**

WEIGHT:

5776 LBS. W/ COVERS

MATERIAL:

NOTED



DESCRIPTION:

PULL BOX W/ MANHOLE COVER

DIMENSIONS ARE IN INCHES
TOLERANCES:
FRACTIONAL: ± 1/8"
ANGULAR: ± 2°

CONTACT INFORMATION:
EMAIL: INFO@CONCASTINC.COM
PHONE: (507) 732-4095
FAX: (507) 732-4094

SHEET 1 OF 1

PART NUMBER:

PB9-44-68-52-MH