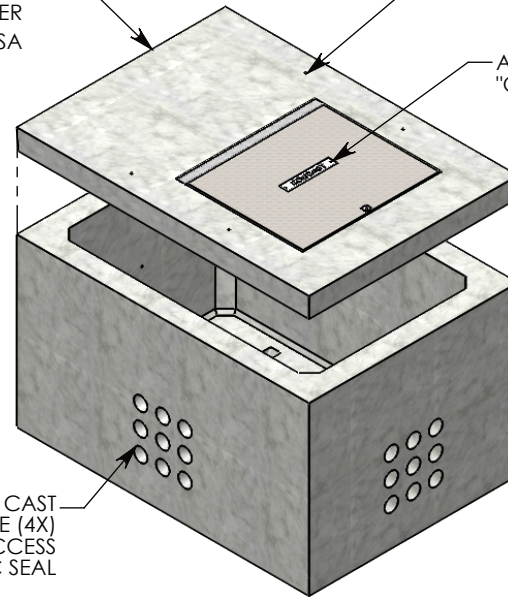


H-20 HEAVY TRAFFIC RATED
 SPRING ASSISTED GALV. STL.
 CAST-IN CONCRETE COVER
 ~1,979 LBS. P/N:60-84-SA

A-ANCHORS FOR
 LIFTING (4X)

INSERTS FOR LIFTING (4X)

ALUMINUM ID PLATE
 "CONCAST" P/N: LTR-ID

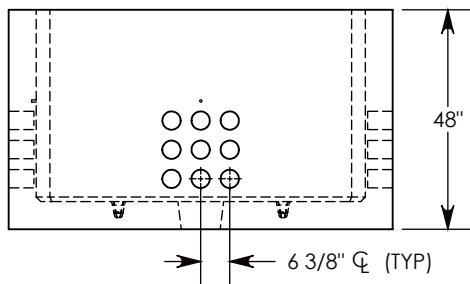


STEEL REINFORCED
 CONCRETE PULL BOX
 P/N: PB9-60-84-48
 ~7737 LBS.

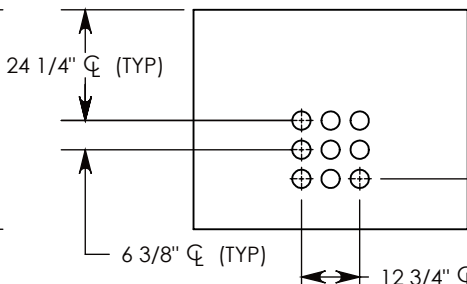
CON-DUCT TERMINATIONS ARE CAST
 INTO BOX SIDEWALLS. 9 PER SIDE (4X)
 THEY FIT UP TO 4" PVC PIPE. TO ACCESS
 THE HOLES, BREAK THE PLASTIC SEAL

Ø-13 UNC INSERT (4X) FOR
 PULLING EYES. LOCATED ON
 BOX INTERIOR (1X PER SIDE)

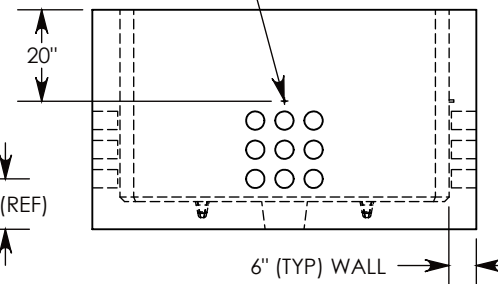
SPRING-ASSIST COVER
 SHOWN IN THIS VIEW



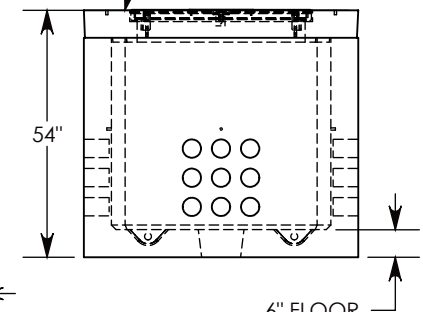
SIDE "A"



SIDE "B" (HLR)



SIDE "C"



SIDE "D"

NOTE 1: FOR PVC SIZES SMALLER THAN 4", USE CONCAST RC41 (REDUCING COUPLER).

H-20 RATED - 32,000 LB. PER AXLE LOAD.

DRAWN BY: ROBIN FLINT

DATE: 6/13/2016

REVISION LEVEL: 0

WEIGHT:

MATERIAL:

9716 LBS. W/COVER

NOTED

1010 NORTH STAR DRIVE
 P.O. BOX 69
 ZUMBROTA, MN 55992-0069

DESCRIPTION:

PULL BOX W/SPRING-ASSIST RSG COVER

DIMENSIONS ARE IN INCHES
 TOLERANCES:
 FRACTIONAL: ± 1/8"
 ANGULAR: ± 2°

CONTACT INFORMATION:
 EMAIL: INFO@CONCASTINC.COM
 PHONE: (507) 732-4095
 FAX: (507) 732-4094

SHEET 1 OF 1

PART NUMBER:

PB9-60-84-48-SA