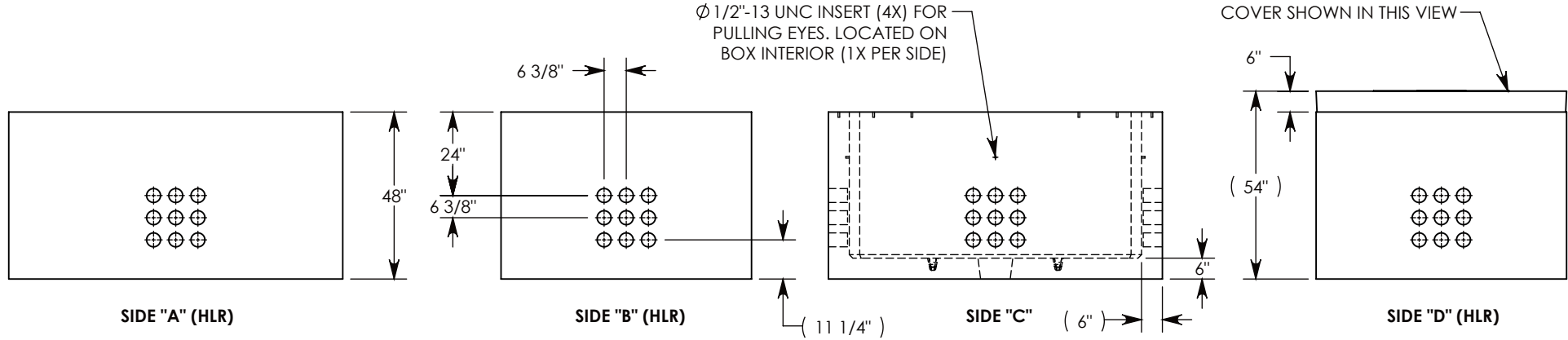


CON-DUCT TERMINATIONS ARE CAST INTO BOX SIDEWALLS. SETS OF 9 ON EACH SIDE. THEY FIT UP TO 4\"/>



NOTE 1: STANDARD DEPTH OF 48" IS SHOWN. OTHER DEPTHS ARE AVAILABLE UPON REQUEST

NOTE 2: FOR PVC SIZES SMALLER THAN 4", USE CONCAST RC41 (REDUCING COUPLER)

NOTE 3: FOR ADDED SECURITY, PENTA HEAD (P/N: PTA.38-1.5) OR SURELOCK BOLT (P/N: SL.38-1.25) CAN BE ADDED

AASHTO H-20 RATED – 32,000 LB. SINGLE AXLE LOAD

DRAWN BY: JESSE GUTTING		 1010 NORTH STAR DRIVE P.O. BOX 69 ZUMBROTA, MN 55992-0069	DESCRIPTION: CONCRETE PULL BOX W/ SPRING-ASSIST COVER		
CREATED DATE: 3/10/2020	REVISION LEVEL: A		DIMENSIONS ARE IN INCHES	CONTACT INFORMATION:	SHEET 1 OF 1
SAVED DATE: 8/2/2021	SAVED BY: jgutting		TOLERANCES: FRACTIONAL: ± 1/8" ANGULAR: ± 2°	EMAIL: INFO@CONCASTINC.COM PHONE: (507) 732-4095 FAX: (507) 732-4094	
WEIGHT: 12527 LBS.	MATERIAL: NOTED		PART NUMBER: PB9-72-96-48-SA		