

H-20 HEAVY TRAFFIC RATED REINFORCED CONCRETE COVER
 P/N: 50-114-MH
 ~2617 LBS.

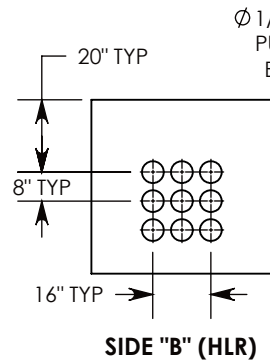
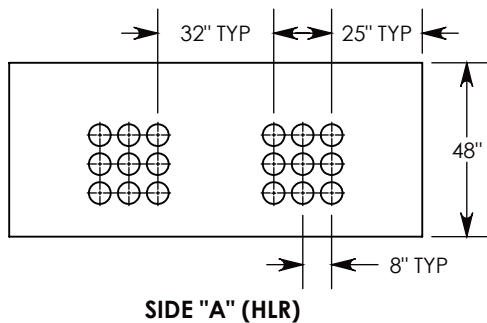
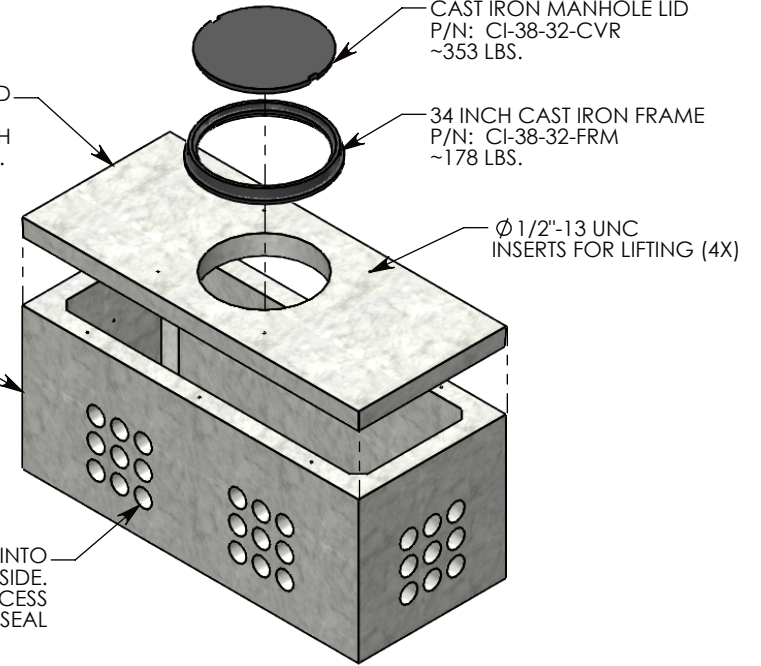
CAST IRON MANHOLE LID
 P/N: CI-38-32-CVR
 ~353 LBS.

34 INCH CAST IRON FRAME
 P/N: CI-38-32-FRM
 ~178 LBS.

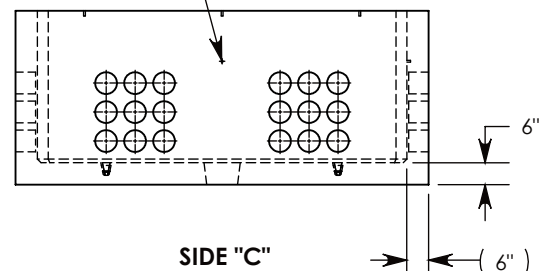
Ø 1/2"-13 UNC INSERTS FOR LIFTING (4X)

CONCRETE PULL BOX
 P/N: PB96-50-114-48
 ~8404 LBS

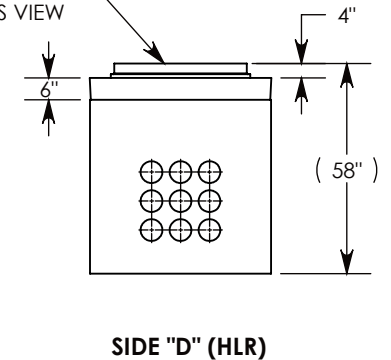
CON-DUCT TERMINATIONS ARE CAST INTO BOX SIDEWALLS. SETS OF 9 ON EACH SIDE. THEY FIT UP TO 6" PVC PIPE. TO ACCESS THE HOLES, BREAK THE PLASTIC SEAL



Ø 1/2"-13 UNC INSERT (4X) FOR PULLING EYES. LOCATED ON BOX INTERIOR (1X PER SIDE)



CAST-IRON AND CONCRETE COVERS SHOWN IN THIS VIEW



AASHTO H-20 RATED - 32,000 LB. SINGLE AXLE LOAD

DRAWN BY: ROBIN FLINT	
CREATED DATE: 6/24/2011	REVISION LEVEL: B
SAVED DATE: 9/10/2021	SAVED BY: scallahan
WEIGHT: 11552 LBS.	MATERIAL: NOTED

1010 NORTH STAR DRIVE
 P.O. BOX 69
 ZUMBROTA, MN 55992-0069

DESCRIPTION: CONCRETE PULL BOX W/MANHOLE COVER	
DIMENSIONS ARE IN INCHES TOLERANCES: FRACTIONAL: ± 1/8" ANGULAR: ± 2°	CONTACT INFORMATION: EMAIL: INFO@CONCASTINC.COM PHONE: (507) 732-4095 FAX: (507) 732-4094
PART NUMBER: PB96-50-114-48-MH	
SHEET 1 OF 1	