

1/2-13 UNC X 1.5" LG HEX HD BOLT (6X)
P/N: HHB.5-1.5

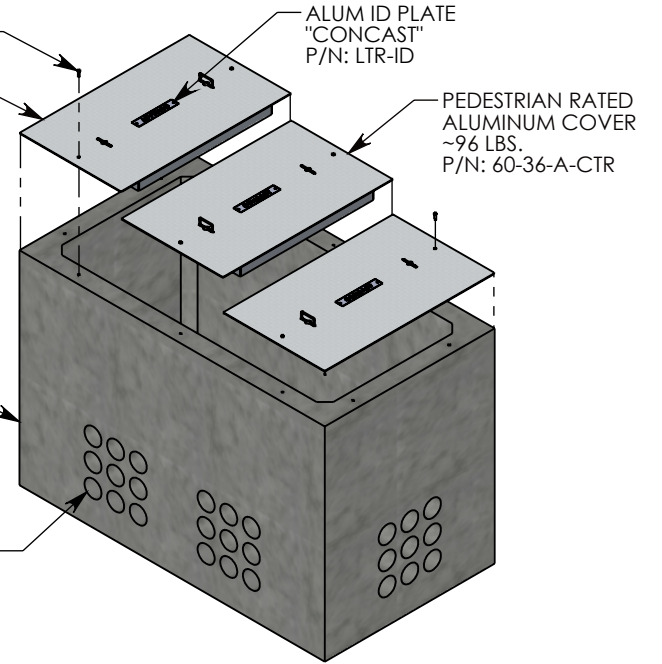
PEDESTRIAN RATED ALUMINUM COVER (2X)
~89 LBS.
P/N: 60-36-A

ALUM ID PLATE "CONCAST"
P/N: LTR-ID

PEDESTRIAN RATED ALUMINUM COVER
~96 LBS.
P/N: 60-36-A-CTR

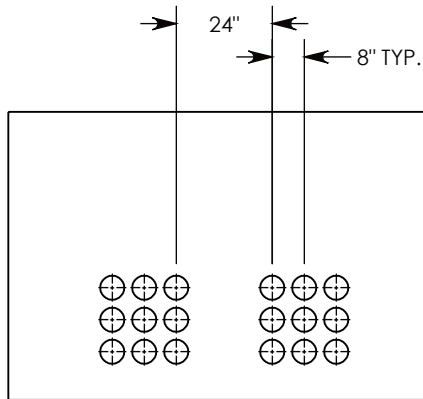
CONCRETE PULL BOX
~12667 LBS
P/N: PB96-60-108-72

CON-DUCT TERMINATIONS ARE CAST INTO BOX SIDEWALLS. SETS OF 9 ON EACH SIDE. THEY FIT UP TO 6" PVC PIPE. TO ACCESS THE HOLES, BREAK THE PLASTIC SEAL

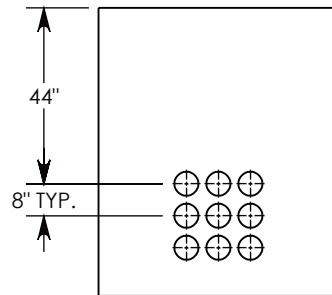


Ø 1/2"-13 UNC INSERT (4X) FOR PULLING EYES. LOCATED ON BOX INTERIOR (1X PER SIDE)

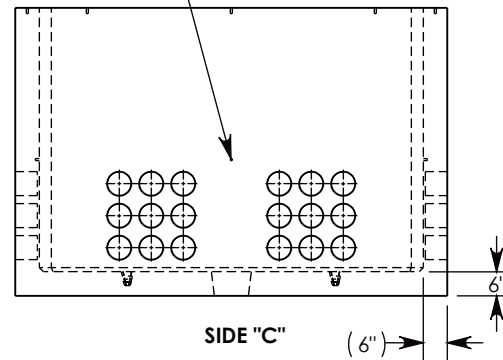
LIFT RING SHOWN EXTENDED
COVER SHOWN IN THIS VIEW



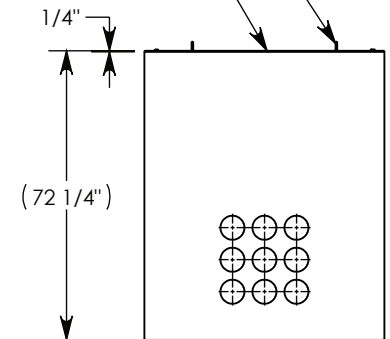
SIDE "A" (HLR)



SIDE "B" (HLR)



SIDE "C"



SIDE "D" (HLR)

NOTE 1: FOR ADDED SECURITY, PENTA HEAD (P/N: PTA.5-1.5) CAN BE ADDED

PEDESTRIAN RATED - 200 LB. PER SQ. FOOT

DRAWN BY: NATHAN KOPPINGER

CREATED DATE: 11/21/2022 | **REVISION LEVEL: A**

SAVED DATE: 11/8/2023 | **SAVED BY: scallahan**

WEIGHT: 12942 LBS. | **MATERIAL: NOTED**



DESCRIPTION:

PULL BOX W/ ALUMINUM COVER

DIMENSIONS ARE IN INCHES
TOLERANCES:
FRACTIONAL: ± 1/8"
ANGULAR: ± 2°

CONTACT INFORMATION:
EMAIL: INFO@CONCASTINC.COM
PHONE: (507) 732-4095
FAX: (507) 732-4094

SHEET 1 OF 1

PART NUMBER:

PB96-60-108-72-A