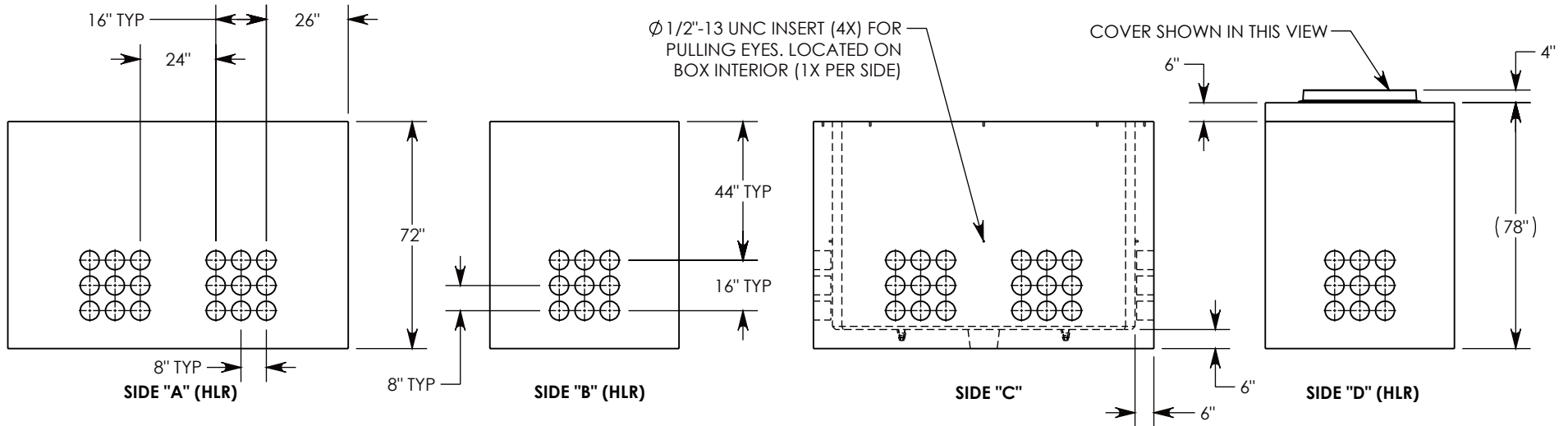


CON-DUCT TERMINATIONS ARE CAST INTO BOX SIDEWALLS. SETS OF 9 ON EACH SIDE. THEY FIT UP TO 6" PVC PIPE. TO ACCESS THE HOLES, BREAK THE PLASTIC SEAL



AASHTO H-20 RATED – 32,000 LB. SINGLE AXLE LOAD

DRAWN BY: SAMUEL CALLAHAN

CREATED DATE: 11/8/2023 **REVISION LEVEL: 0**

SAVED DATE: 11/8/2023 **SAVED BY: scallahan**

WEIGHT: 16130 LBS. **MATERIAL: NOTED**

CONCAST
 1010 NORTH STAR DRIVE
 P.O. BOX 69
 ZUMBROTA, MN 55992-0069

DESCRIPTION:
PULL BOX W/ MANHOLE COVER

DIMENSIONS ARE IN INCHES
 TOLERANCES:
 FRACTIONAL: ± 1/8"
 ANGULAR: ± 2°

CONTACT INFORMATION:
 EMAIL: INFO@CONCASTINC.COM
 PHONE: (507) 732-4095
 FAX: (507) 732-4094

SHEET 1 OF 1

PART NUMBER:
PB96-60-108-72-MH