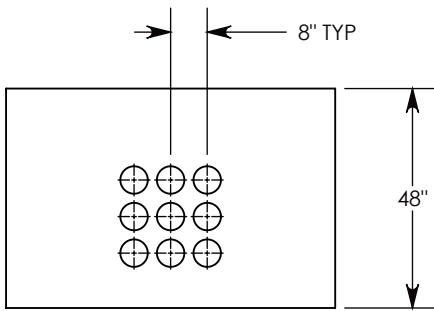
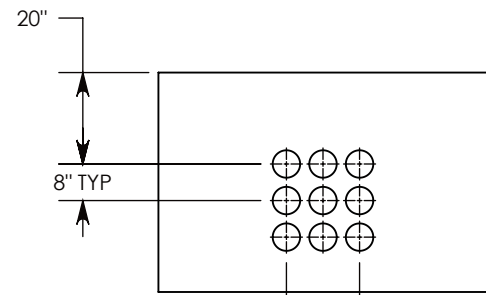


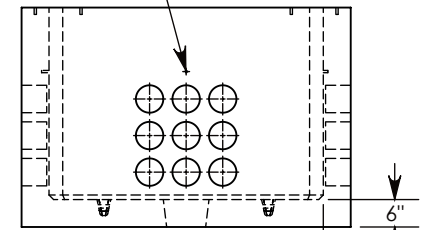
CON-DUCT TERMINATIONS ARE CAST INTO BOX SIDEWALLS. 9 PER SIDE THEY FIT UP TO 6" PVC PIPE. TO ACCESS THE HOLES, BREAK THE PLASTIC SEAL.  
 Ø 1/2"-13 UNC INSERT (4X) FOR PULLING EYES. LOCATED ON BOX INTERIOR (1X PER SIDE)



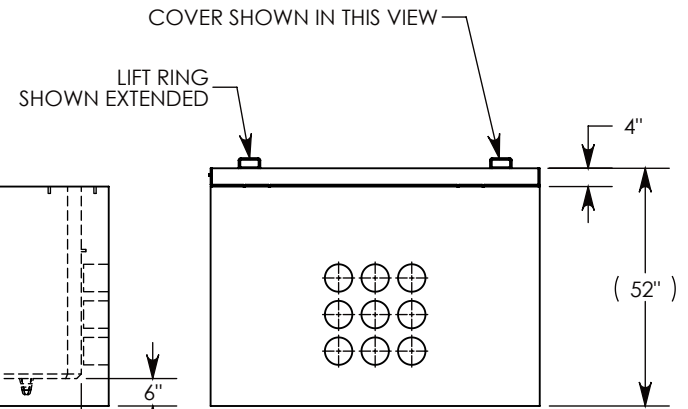
SIDE "A" (HLR)



SIDE "B" (HLR)



SIDE "C"



SIDE "D" HLR

NOTE 1: FOR ADDED SECURITY, PENTA HEAD(P/N: PTA.38-2.5) OR SURELOCK BOLTS (P/N: SL.38-2.5) CAN BE ADDED

AASHTO H-20 RATED – 32,000 LB. SINGLE AXLE LOAD

DRAWN BY: <b>JESSE GUTTING</b>	
CREATED DATE: <b>6/24/2011</b>	REVISION LEVEL: <b>B</b>
SAVED DATE: <b>10/22/2020</b>	SAVED BY: <b>jgutting</b>
WEIGHT: <b>8511 LBS.</b>	MATERIAL: <b>NOTED</b>

**CONCAST**  
 1010 NORTH STAR DRIVE  
 P.O. BOX 69  
 ZUMBROTA, MN 55992-0069

DESCRIPTION: <b>CONCRETE PULL BOX W/ SPA COVER</b>	
DIMENSIONS ARE IN INCHES TOLERANCES: FRACTIONAL: ± 1/8" ANGULAR: ± 2°	CONTACT INFORMATION: EMAIL: <a href="mailto:INFO@CONCASTINC.COM">INFO@CONCASTINC.COM</a> PHONE: (507) 732-4095 FAX: (507) 732-4094
PART NUMBER: <b>PB96-72-72-48-SPA</b>	
SHEET 1 OF 1	