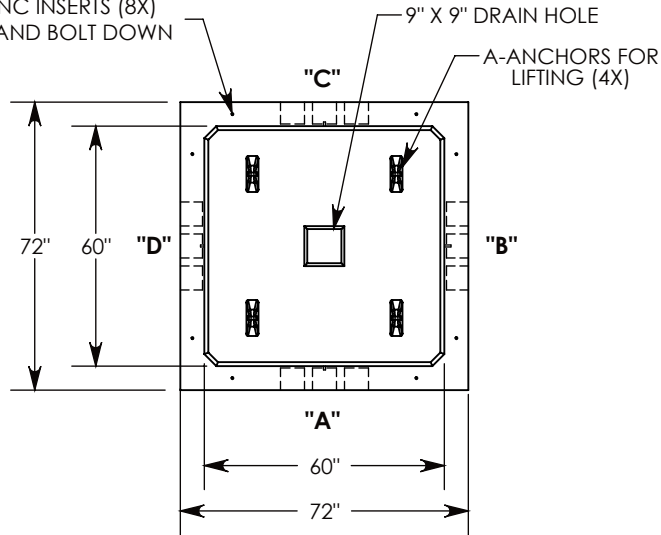


Ø 1/2"-13 UNC INSERTS (8X)
FOR LIFTING AND BOLT DOWN

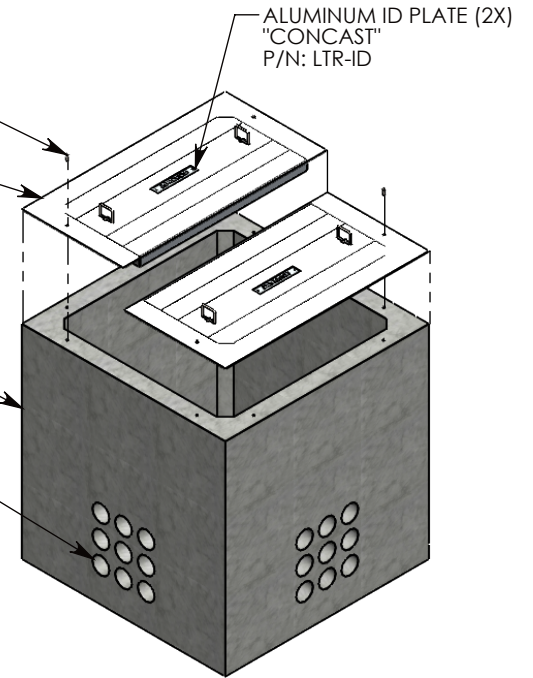


1/2-13 UNC X 1.5" LG HEX HD BOLT (4X)
P/N: HHB.5-1.5

PEDESTRIAN RATED
ALUMINUM COVER (2X)
~117 LBS
P/N: 72-36-A

CONCRETE PULL BOX
~10700 LBS
P/N: PB96-72-72-72

CON-DUCT TERMINATIONS ARE CAST
INTO BOX SIDEWALLS. 9 PER SIDE (4X)
THEY FIT UP TO 6" PVC PIPE. TO ACCESS
THE HOLES, BREAK THE PLASTIC SEAL

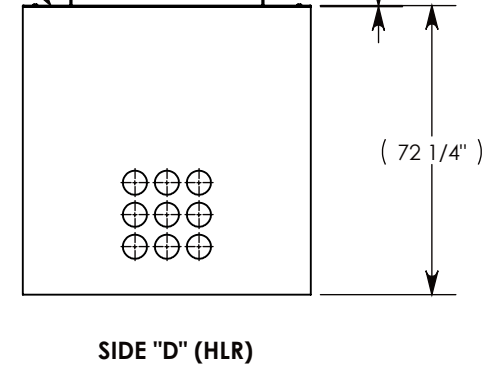
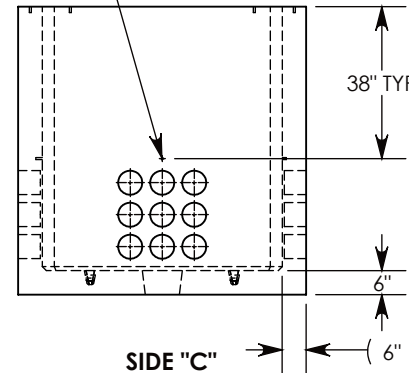
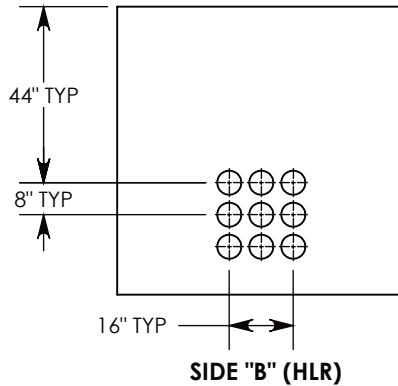
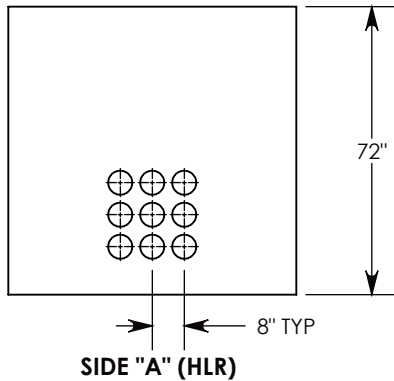


Ø 1/2"-13 UNC INSERT (4X) FOR
PULLING EYES. LOCATED ON
BOX INTERIOR (1X PER SIDE)

LIFTING RING
SHOWN EXTENDED

COVER SHOWN IN THIS VIEW

1/4" COVER



NOTE 1: FOR ADDED SECURITY, PENTA HEAD BOLTS (P/N: PTA.5-1.5) CAN BE ADDED

PEDESTRIAN RATED - 200 LB. PER SQ. FOOT

DRAWN BY: ROBIN FLINT

DATE: 8/15/2018

REVISION LEVEL: B

WEIGHT:

MATERIAL:

10935 LBS. W/COVER

NOTED



DESCRIPTION:

PULL BOX W/ALUMINUM COVERS

DIMENSIONS ARE IN INCHES
TOLERANCES:
FRACTIONAL: ± 1/8"
ANGULAR: ± 2°

CONTACT INFORMATION:
EMAIL: INFO@CONCASTINC.COM
PHONE: (507) 732-4095
FAX: (507) 732-4094

SHEET 1 OF 1

PART NUMBER:

PB96-72-72-72-A