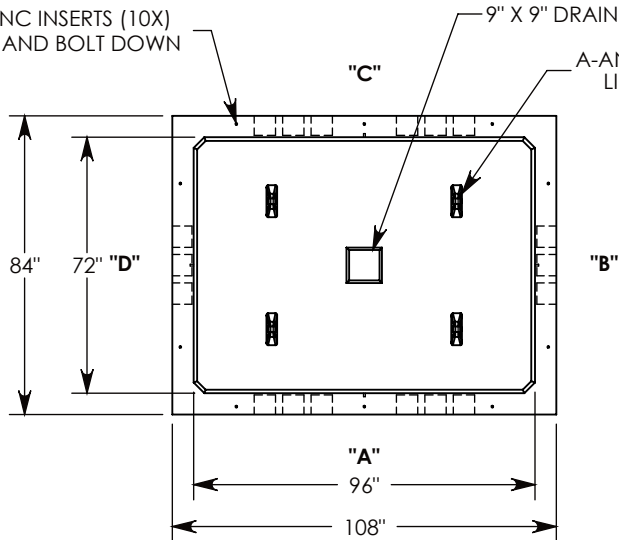


Ø 1/2"-13 UNC INSERTS (10X)  
FOR LIFTING AND BOLT DOWN

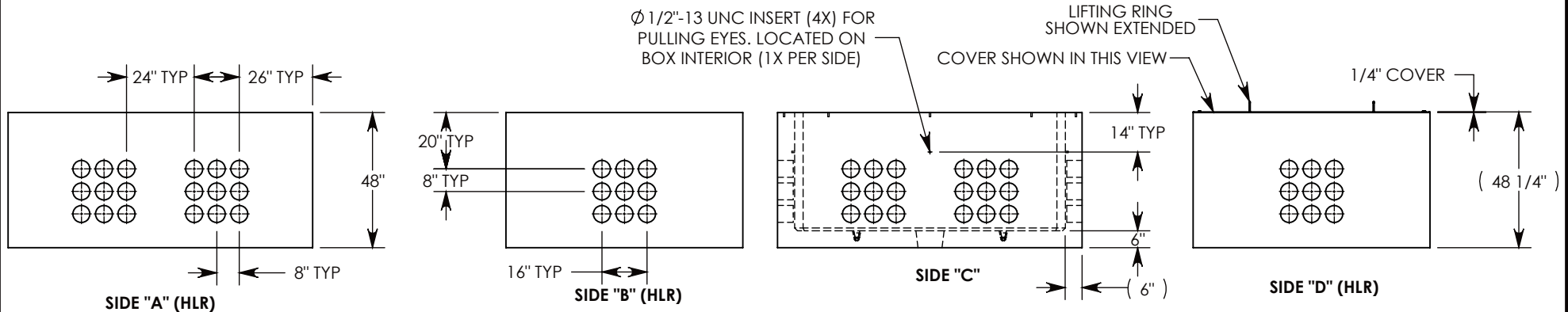
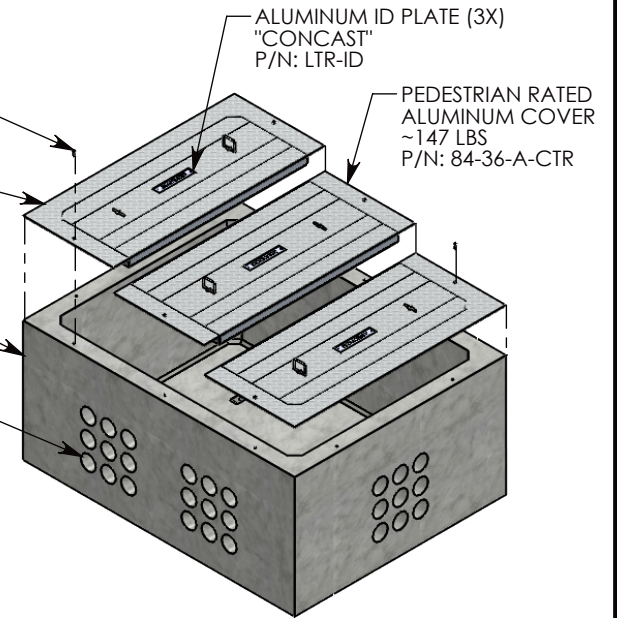


1/2-13 UNC X 1.5" LG HEX HD BOLT (6X)  
P/N: HHB.5-1.5

PEDESTRIAN RATED  
ALUMINUM COVER (2X)  
~135 LBS  
P/N: 84-36-A

CONCRETE PULL BOX  
~11219 LBS  
P/N: PB96-84-108-48

CON-DUCT TERMINATIONS ARE CAST INTO  
BOX SIDEWALLS. SETS OF 9 ON EACH SIDE.  
THEY FIT UP TO 6" PVC PIPE. TO ACCESS  
THE HOLES, BREAK THE PLASTIC SEAL



NOTE 1: FOR ADDED SECURITY, PENTA HEAD BOLTS (P/N: PTA.5-1.5) CAN BE ADDED

PEDESTRIAN RATED - 200 LB. PER SQ. FOOT

DRAWN BY: **MALACHI MLINAR**

DATE: **8/23/2018**

REVISION LEVEL: **A**

WEIGHT:

**11637 LBS.**

MATERIAL:

**NOTED**



DESCRIPTION:

**PULL BOX W/ ALUMINUM COVER**

DIMENSIONS ARE IN INCHES  
TOLERANCES:  
FRACTIONAL: ± 1/8"  
ANGULAR: ± 2°

CONTACT INFORMATION:  
EMAIL: INFO@CONCASTINC.COM  
PHONE: (507) 732-4095  
FAX: (507) 732-4094

SHEET 1 OF 1

PART NUMBER:

**PB96-84-108-48-A**