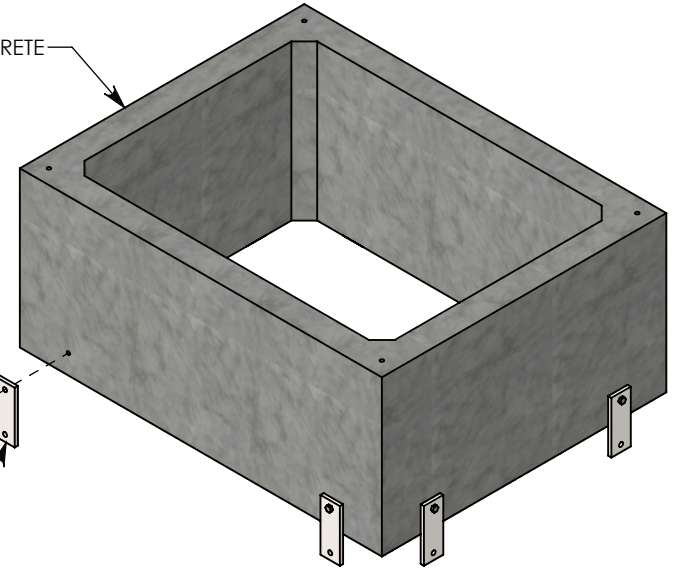


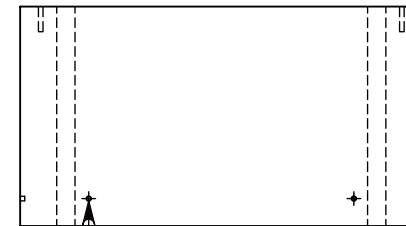
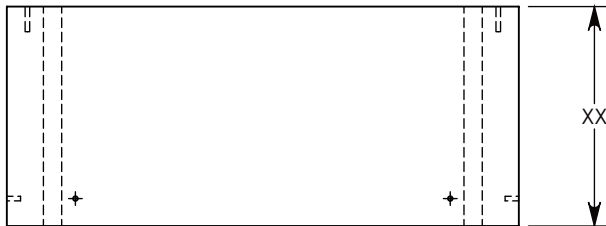
Ø 1/2"-13 UNC INSERT (4X)  
FOR LIFTING AND BOLT DOWN

STEEL REINFORCED CONCRETE



1/2-13 UNC X 1.5" LG HEX HD BOLT  
P/N: HHB.5-1.5 (8X)

PULL BOX JOINT TIE STRAP  
P/N: T-STRAP-1 (8X)



Ø 1/2"-13 UNC INSERT (8X)  
FOR TIE STRAP

**NOTE 1:** XX CAN BE ANY HEIGHT, IN 1 INCH INCREMENTS, FROM 6" (MIN) TO 59" (MAX)  
EX: A 24" EXTENSION WOULD BE NAMED PBEX-44-56-24

**DRAWN BY:** JESSE GUTTING

**DATE:** 4/9/2019

**REVISION LEVEL:** A

**WEIGHT:**

~ LBS.

**MATERIAL:**

CONCRETE



1010 NORTH STAR DRIVE  
P.O. BOX 69  
ZUMBROTA, MN 55992-0069

**DESCRIPTION:**

**CONCRETE PULL BOX EXTENSION**

DIMENSIONS ARE IN INCHES  
TOLERANCES:  
FRACTIONAL: ± 1/8"  
ANGULAR: ± 2°

CONTACT INFORMATION:  
EMAIL: INFO@CONCASTINC.COM  
PHONE: (507) 732-4095  
FAX: (507) 732-4094

SHEET 1 OF 1

**PART NUMBER:**

**PBEX-44-56-XX**