

1/2-13 UNC X 1.5" LG HEX HD BOLT (2X)  
P/N: HHB.5-1.5

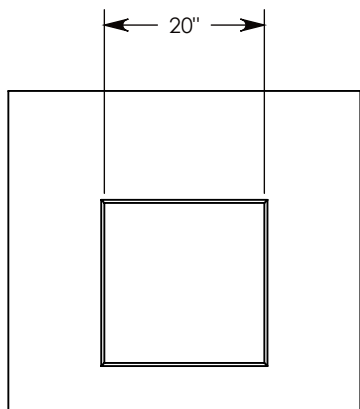
PEDESTRIAN RATED ALUMINUM COVER  
~42 LBS.  
P/N: 32-44-A

ALUM ID PLATE  
"CONCAST"  
P/N: LTR-ID

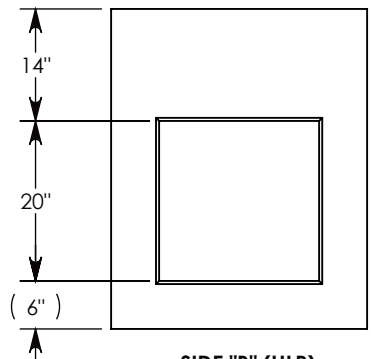
CONCRETE PULL BOX  
~1631 LBS  
P/N: PBK01-32-44-40

3" DEEP KNOCKOUTS  
CAST INTO ALL 4 SIDES

LIFT RING SHOWN EXTENDED  
COVER SHOWN IN THIS VIEW

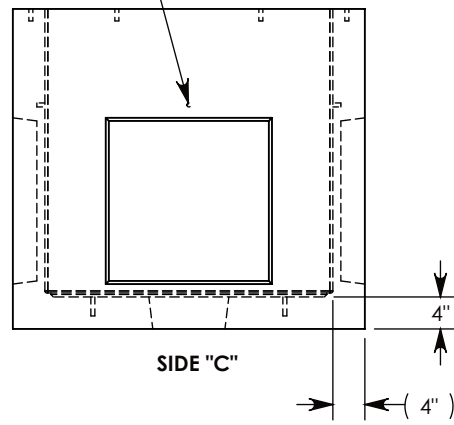


SIDE "A" (HLR)

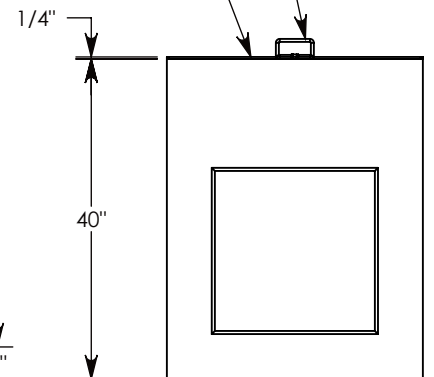


SIDE "B" (HLR)

Ø 1/2"-13 UNC INSERT (4X) FOR  
PULLING EYES. LOCATED ON  
BOX INTERIOR (1X PER SIDE)



SIDE "C"



SIDE "D" (HLR)

**NOTE 1:** STANDARD DEPTH OF 40" IS SHOWN. OTHER DEPTHS ARE AVAILABLE UPON REQUEST.  
**NOTE 2:** FOR ADDED SECURITY, PENTA HEAD BOLTS (P/N: PTA.5-1.5) CAN BE ADDED

PEDESTRIAN RATED - 200 LB. PER SQ. FOOT

DRAWN BY: <b>JESSE GUTTING</b>	
CREATED DATE: <b>4/17/2020</b>	REVISION LEVEL: <b>0</b>
SAVED DATE: <b>4/20/2020</b>	SAVED BY: <b>jgutting</b>
WEIGHT: <b>1674 LBS.</b>	MATERIAL: <b>NOTED</b>



1010 NORTH STAR DRIVE  
P.O. BOX 69  
ZUMBROTA, MN 55992-0069

DESCRIPTION: <b>PULL BOX W/ ALUMINUM COVER</b>	
DIMENSIONS ARE IN INCHES TOLERANCES: FRACTIONAL: ± 1/8" ANGULAR: ± 2°	CONTACT INFORMATION: EMAIL: <a href="mailto:INFO@CONCASTINC.COM">INFO@CONCASTINC.COM</a> PHONE: (507) 732-4095 FAX: (507) 732-4094
PART NUMBER: <b>PBK01-32-44-40-A</b>	