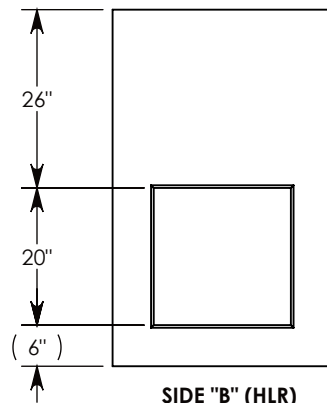
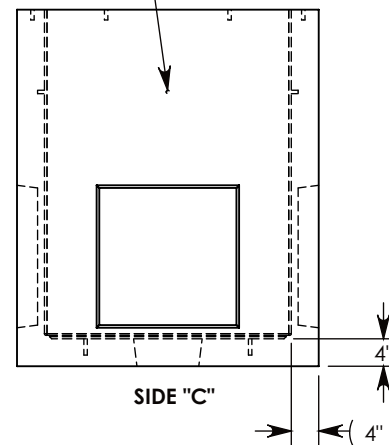


SIDE "A" (HLR)



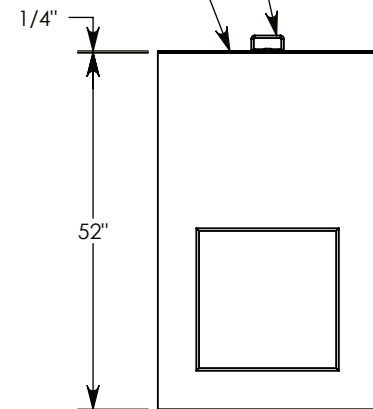
SIDE "B" (HLR)

Ø 1/2"-13 UNC INSERT (4X) FOR  
PULLING EYES, LOCATED ON  
BOX INTERIOR (1X PER SIDE)



SIDE "C"

LIFT RING SHOWN EXTENDED  
COVER SHOWN IN THIS VIEW



SIDE "D" (HLR)

NOTE 1: STANDARD DEPTH OF 52" IS SHOWN. OTHER DEPTHS ARE AVAILABLE UPON REQUEST.

NOTE 2: FOR ADDED SECURITY, PENTA HEAD BOLTS (P/N: PTA.5-1.5) CAN BE ADDED

PEDESTRIAN RATED - 200 LB. PER SQ. FOOT

DRAWN BY: **JESSE GUTTING**

CREATED DATE: **4/17/2020** REVISION LEVEL: **0**

SAVED DATE: **4/20/2020** SAVED BY: **jgutting**

WEIGHT: **2208 LBS.** MATERIAL: **NOTED**

**CONCAST**  
1010 NORTH STAR DRIVE  
P.O. BOX 69  
ZUMBROTA, MN 55992-0069

DESCRIPTION:

**PULL BOX W/ ALUMINUM COVER**

DIMENSIONS ARE IN INCHES  
TOLERANCES:  
FRACTIONAL: ± 1/8"  
ANGULAR: ± 2°

CONTACT INFORMATION:  
EMAIL: [INFO@CONCASTINC.COM](mailto:INFO@CONCASTINC.COM)  
PHONE: (507) 732-4095  
FAX: (507) 732-4094

SHEET 1 OF 1

PART NUMBER:

**PBK01-32-44-52-A**