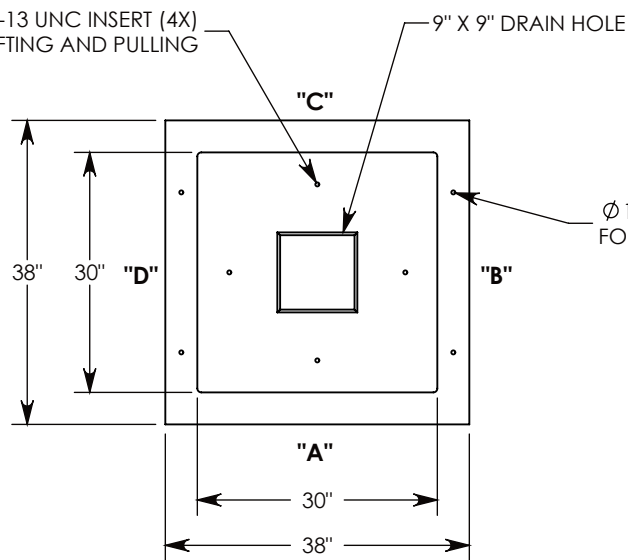


Ø 1/2"-13 UNC INSERT (4X)
FOR LIFTING AND PULLING



H-20 HEAVY TRAFFIC RATED
SPRING ASSISSED COVER W/ FRAME
~264 LBS
P/N: 38-38-RSG-SPA

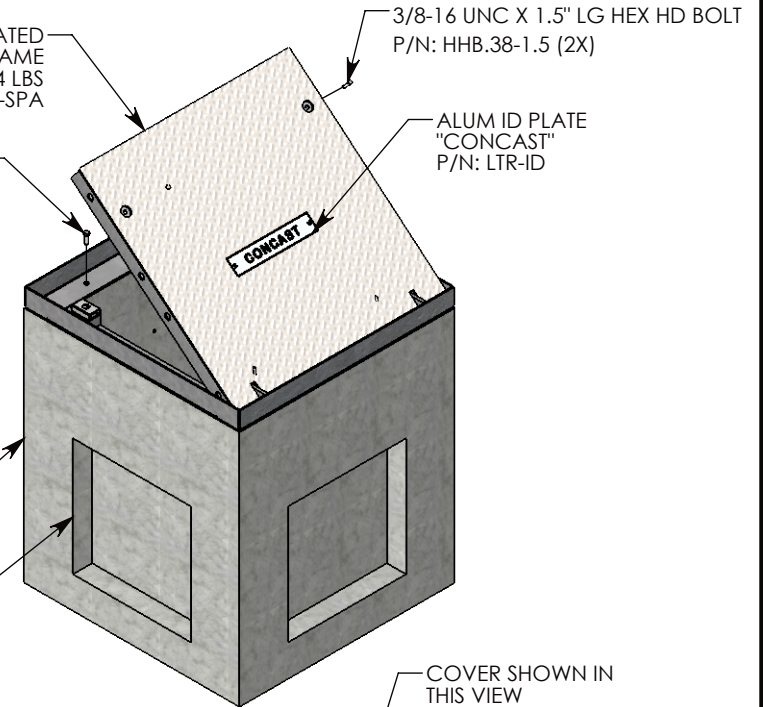
3/8-16 UNC X 1.5" LG HEX HD BOLT
P/N: HHB.38-1.5 (2X)

1/2-13 UNC X 1.5" LG HEX HD BOLT
P/N: HHB.5-1.5 (4X)

ALUM ID PLATE
"CONCAST"
P/N: LTR-ID

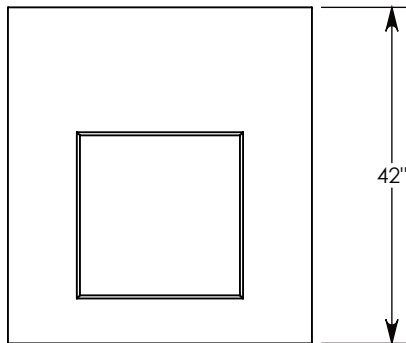
CONCRETE PULL BOX
1727~ LBS
P/N: PBK01-38-38-42

3" DEEP KNOCKOUTS
CAST INTO ALL 4 SIDES

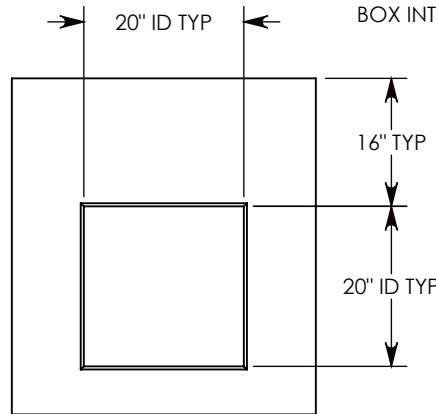


Ø 1/2"-13 UNC INSERT (4X) FOR
PULLING EYES. LOCATED ON
BOX INTERIOR (1X PER SIDE)

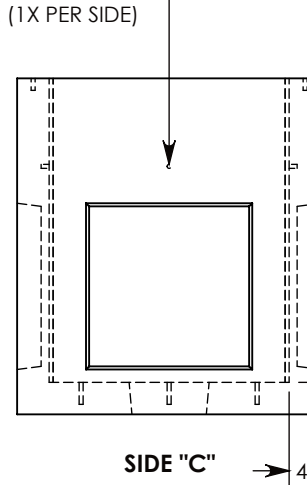
COVER SHOWN IN
THIS VIEW



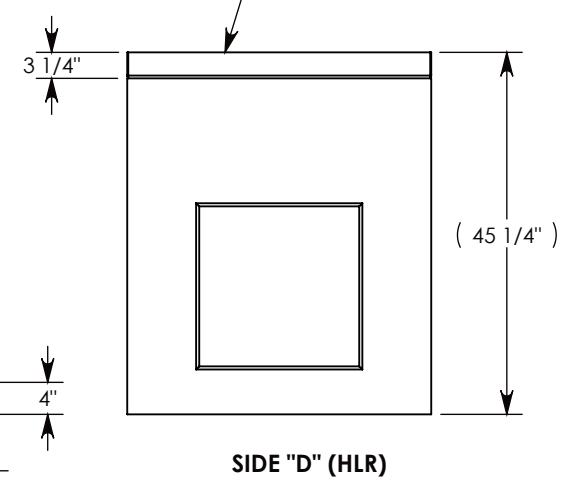
SIDE "A" (HLR)



SIDE "B" (HLR)



SIDE "C" (HLR)



SIDE "D" (HLR)

NOTE 1: FOR ADDED SECURITY, PENTA HEAD (P/N: PTA.38-1.5) OR SURELOCK BOLTS (P/N: SL.38-1.5) CAN BE ADDED

AASHTO H-20 RATED – 32,000 LB. SINGLE AXLE LOAD

DRAWN BY: **JESSE GUTTING**

DATE: **7/10/2018**

REVISION LEVEL: **0**

WEIGHT:

1992 LBS.

MATERIAL:

NOTED



DESCRIPTION:

CONCRETE PULL BOX W/SPA COVER

DIMENSIONS ARE IN INCHES

TOLERANCES:
FRACTIONAL: ± 1/8"
ANGULAR: ± 2°

CONTACT INFORMATION:

EMAIL: INFO@CONCASTINC.COM
PHONE: (507) 732-4095
FAX: (507) 732-4094

SHEET 1 OF 1

PART NUMBER:

PBK01-38-38-42-SPA