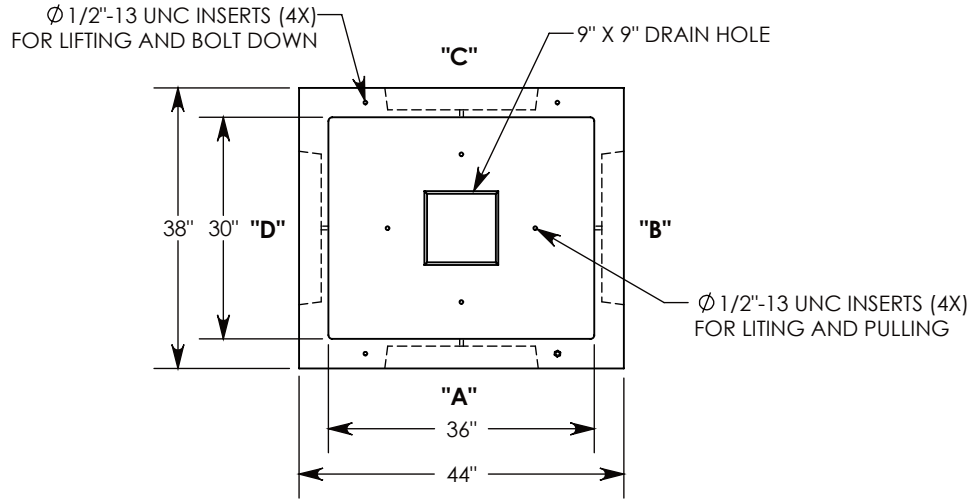


REV. B - MKM - 5/21/2018 - UPDATED MODEL & DRAWING

REV. C - SIC - 2/26/2020 - UPDATED DRAWING; UPDATED ALUMINUM COVER WEIGHT, WAS 50 LBS

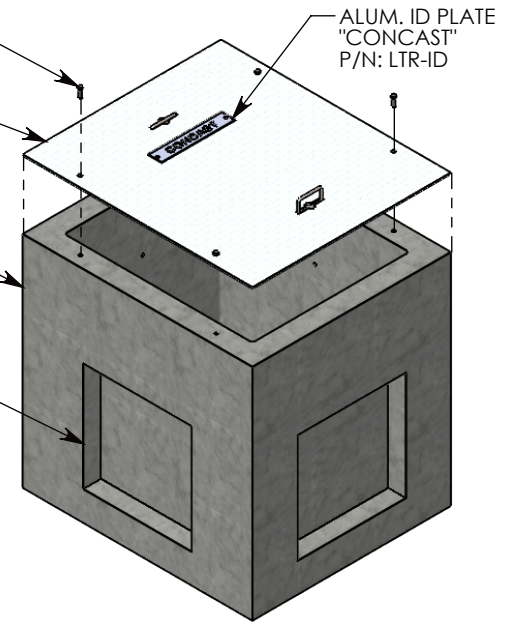


1/2-13 UNC X 1.5" LG HEX HD BOLT (4X)  
P/N: HHB.5-1.5

PEDESTRIAN RATED  
ALUMINUM COVER  
~50 LBS  
P/N: 38-44-A

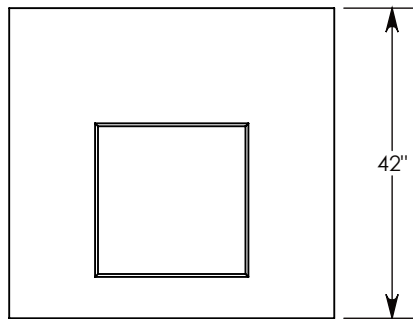
CONCRETE PULL BOX  
~1951 LBS  
P/N: PBK01-38-44-2

3" DEEP KNOCKOUTS  
CAST INTO ALL 4 SIDES

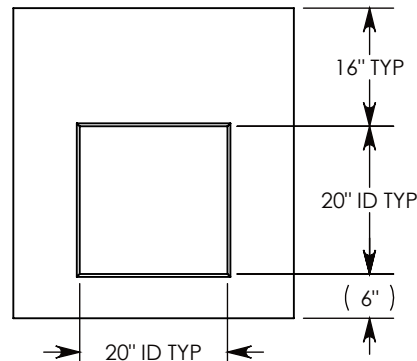


Ø 1/2"-13 UNC INSERT (4X) FOR  
PULLING EYES. LOCATED ON  
BOX INTERIOR (1X PER SIDE)

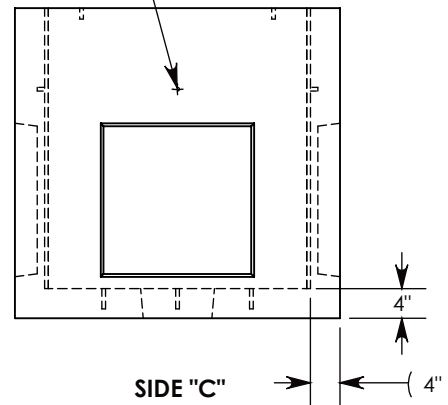
LIFT RING SHOWN EXTENDED  
COVER SHOWN IN THIS VIEW



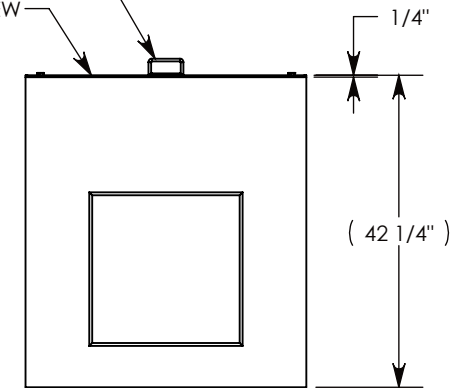
SIDE "A" (HLR)



SIDE "B" (HLR)



SIDE "C"



SIDE "D" (HLR)

NOTE 1: FOR ADDED SECURITY, PENTA HEAD (P/N: PTA.5-1.5) CAN BE ADDED

PEDESTRIAN RATED - 200 LB. PER SQ. FOOT

DRAWN BY: **ROBIN FLINT**

CREATED DATE: **4/16/2010**

REVISION LEVEL: **C**

SAVED DATE: **2/26/2020**

SAVED BY: **scallahan**

WEIGHT:  
**2002 LBS.**

MATERIAL:  
**NOTED**



DESCRIPTION:

**CONCRETE PULL BOX W/AL COVER**

DIMENSIONS ARE IN INCHES  
TOLERANCES:  
FRACTIONAL: ± 1/8"  
ANGULAR: ± 2°

CONTACT INFORMATION:  
EMAIL: [INFO@CONCASTINC.COM](mailto:INFO@CONCASTINC.COM)  
PHONE: (507) 732-4095  
FAX: (507) 732-4094

SHEET 1 OF 1

PART NUMBER:

**PBK01-38-44-42-A**