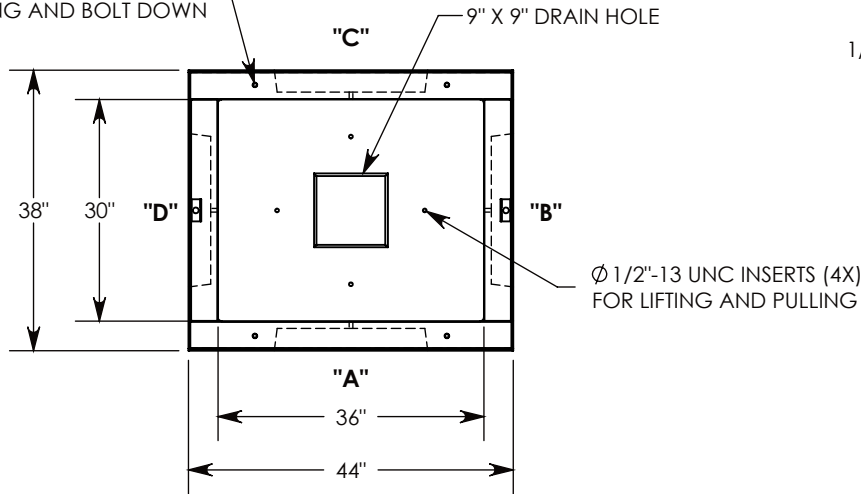


Ø 1/2"-13 UNC INSERTS (4X)
 FOR LIFTING AND BOLT DOWN



3/8-16 UNC X 1.5" LG HEX HD BOLT
 P/N: HHB.38-1.5 (2X)

H-20 HEAVY TRAFFIC RATED
 GALVANIZED STEEL COVER
 ~215 LBS
 P/N: 38-44-RSG

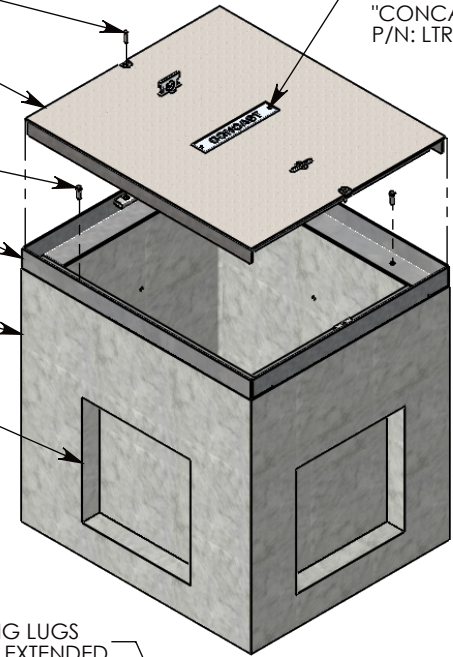
1/2-13 UNC X 1.5" LG HEX HD BOLT
 P/N: HHB.5-1.5 (4X)

BOLT DOWN GLAV. STEEL FRAME
 ~75 LBS
 P/N: 38-44-FRM

CONCRETE PULL BOX
 ~1951 LBS
 P/N: PBKO1-38-44-42

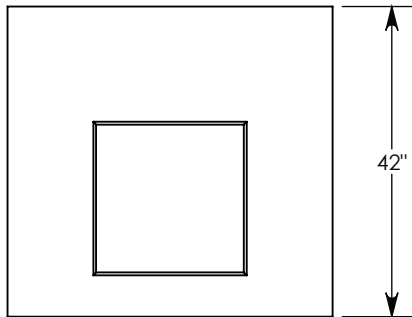
3" DEEP KNOCKOUTS
 CAST INTO ALL 4 SIDES

ALUM ID PLATE
 "CONCAST"
 P/N: LTR-ID

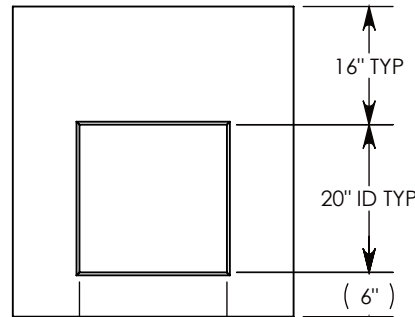


Ø 1/2"-13 UNC INSERT (4X) FOR
 PULLING EYES. LOCATED ON
 BOX INTERIOR (1X PER SIDE)

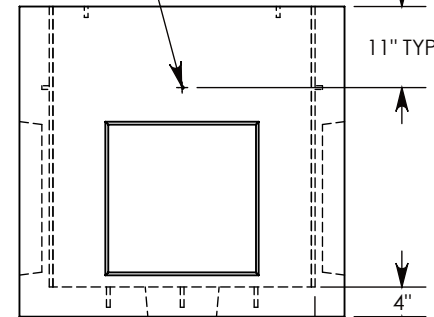
LIFTING LUGS
 SHOWN EXTENDED
 COVER SHOWN IN THIS VIEW



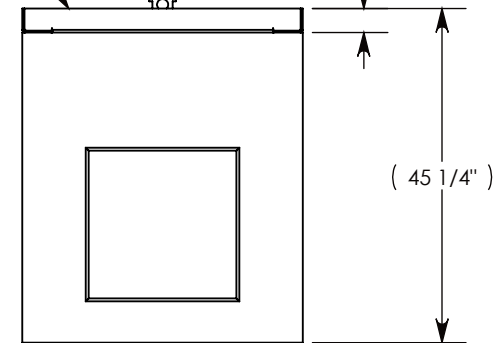
SIDE "A" (HLR)



SIDE "B" (HLR)



SIDE "C"



SIDE "D" (HLR)

NOTE 1: FOR ADDED SECURITY, PENTA HEAD (P/N: PTA.38-1.5) OR SURELOCK BOLTS (P/N: SL.38-1.25) CAN BE ADDED

DRAWN BY: ROBIN FLINT

DATE: 2/21/2019

REVISION LEVEL: B

WEIGHT:

MATERIAL:

2240 LBS. W/COVER

NOTED



DESCRIPTION:

CONCRETE PULL BOX W/RSG COVER

DIMENSIONS ARE IN INCHES
 TOLERANCES:
 FRACTIONAL: ± 1/8"
 ANGULAR: ± 2°

CONTACT INFORMATION:
 EMAIL: INFO@CONCASTINC.COM
 PHONE: (507) 732-4095
 FAX: (507) 732-4094

SHEET 1 OF 1

PART NUMBER:

PBKO1-38-44-42-RSG