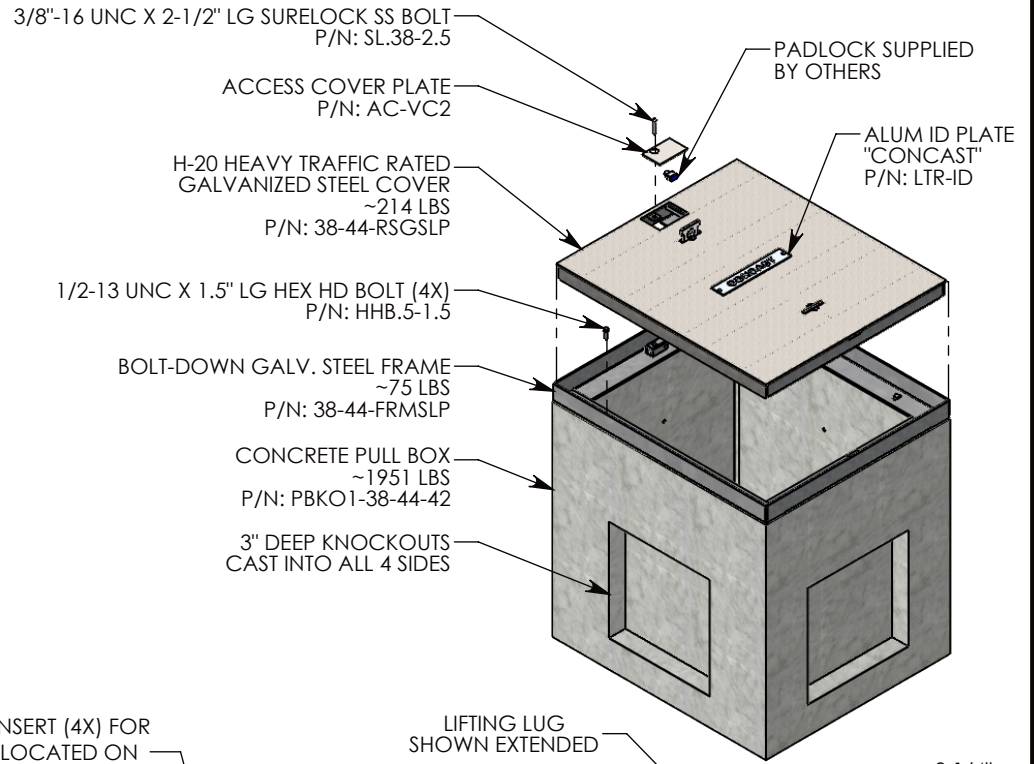
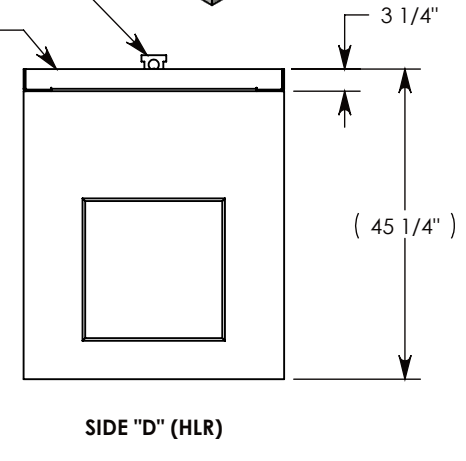
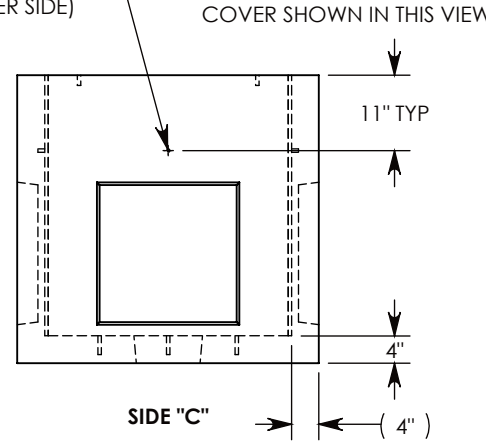
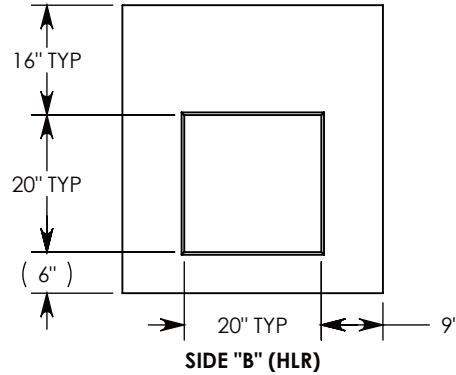
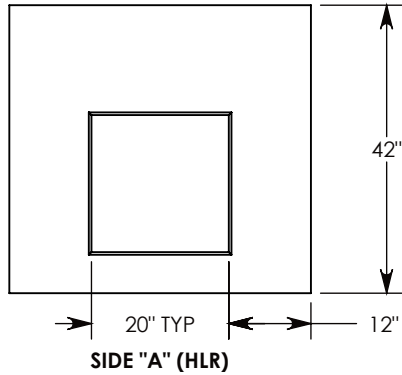
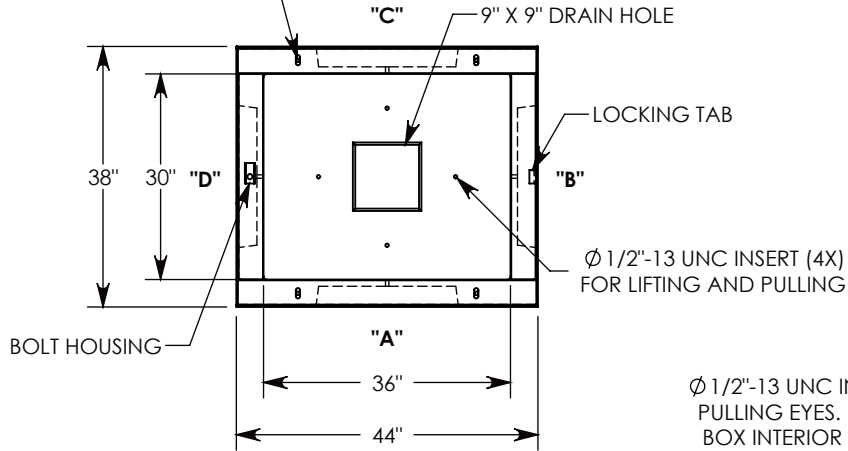


PADLOCK SPECS

Ø 1/2"-13 UNC INSERT (4X)
FOR LIFTING AND BOLT DOWN



Ø 1/2"-13 UNC INSERT (4X) FOR
PULLING EYES. LOCATED ON
BOX INTERIOR (1X PER SIDE)

LIFTING LUG
SHOWN EXTENDED

COVER SHOWN IN THIS VIEW

AASHTO H-20 RATED - 32,000 LB. SINGLE AXLE LOAD

DRAWN BY: MALACHI MLINAR

DATE: 7/31/2019

REVISION LEVEL: B

WEIGHT:

2242 LBS.

MATERIAL:

NOTED



DESCRIPTION:

CONCRETE PULL BOX W/RSG COVER

DIMENSIONS ARE IN INCHES
TOLERANCES:
FRACTIONAL: ± 1/8"
ANGULAR: ± 2°

CONTACT INFORMATION:
EMAIL: INFO@CONCASTINC.COM
PHONE: (507) 732-4095
FAX: (507) 732-4094

SHEET 1 OF 1

PART NUMBER:

PBK01-38-44-42-RSGSLP