

3/8"-16 UNC X 1-1/4" LG SURELOCK SS BOLT (2X)
P/N: SL-.38-1.25

PADLOCK SUPPLIED BY OTHERS

1/2"-13 UNC X 1.5" LG HEX HD BOLT (4X)
P/N: HHB.5-1.5

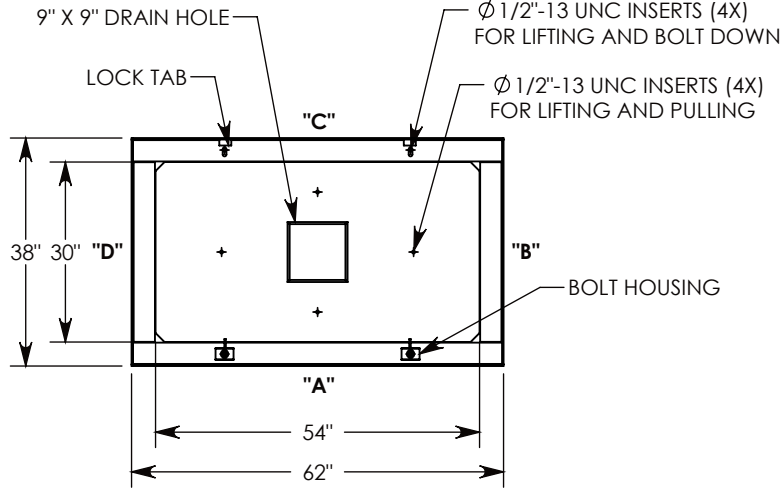
H-20 HEAVY TRAFFIC RATED GALV. STEEL COVER
~ 174 LBS
P/N: 38-31-RSGSLP (2X)

ALUM ID PLATE "CONCAST"
P/N: LTR-ID

BOLT DOWN GALV. STEEL FRAME
~93 LBS.
P/N: 38-62-FRMSLP

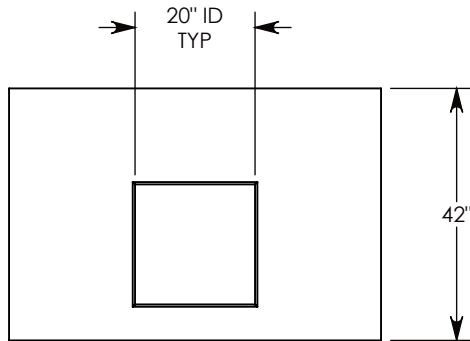
CONCRETE PULL BOX
~2637 LBS
P/N: PBK01-38-62-42

3" DEEP KNOCKOUTS
CAST INTO ALL 4 SIDES

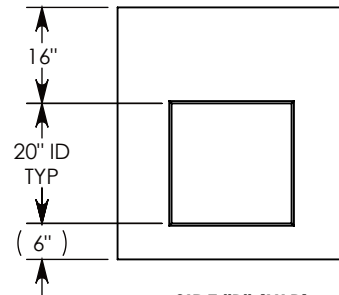


$\phi 1/2"-13 \text{ UNC}$ INSERT (4X) FOR PULLING EYES. LOCATED ON BOX INTERIOR (1X PER SIDE)

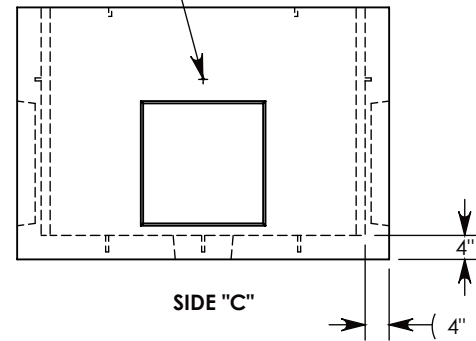
LIFTING LUG SHOWN EXTENDED
COVER SHOWN IN THIS VIEW



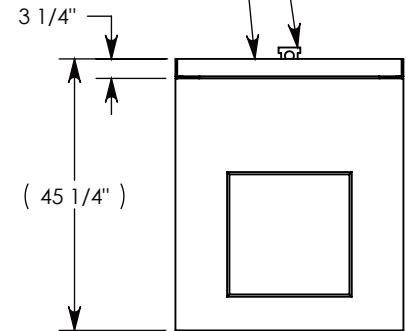
SIDE "A" (HLR)



SIDE "B" (HLR)



SIDE "C"



SIDE "D" (HLR)

AASHTO H-20 RATED – 32,000 LB. SINGLE AXLE LOAD

DRAWN BY: **JESSE GUTTING**

CREATED DATE: **8/19/2020** REVISION LEVEL: **0**

SAVED DATE: **8/20/2020** SAVED BY: **jgutting**

WEIGHT: **3078 LBS.** MATERIAL: **NOTED**

CONCAST
1010 NORTH STAR DRIVE
P.O. BOX 69
ZUMBROTA, MN 55992-0069

DESCRIPTION:

CONCRETE PULL BOX W/RSGSLP COVERS

DIMENSIONS ARE IN INCHES
TOLERANCES:
FRACTIONAL: $\pm 1/8"$
ANGULAR: $\pm 2^\circ$

CONTACT INFORMATION:
EMAIL: INFO@CONCASTINC.COM
PHONE: (507) 732-4095
FAX: (507) 732-4094

SHEET 1 OF 1

PART NUMBER:

PBK01-38-62-42-RSGSLP