

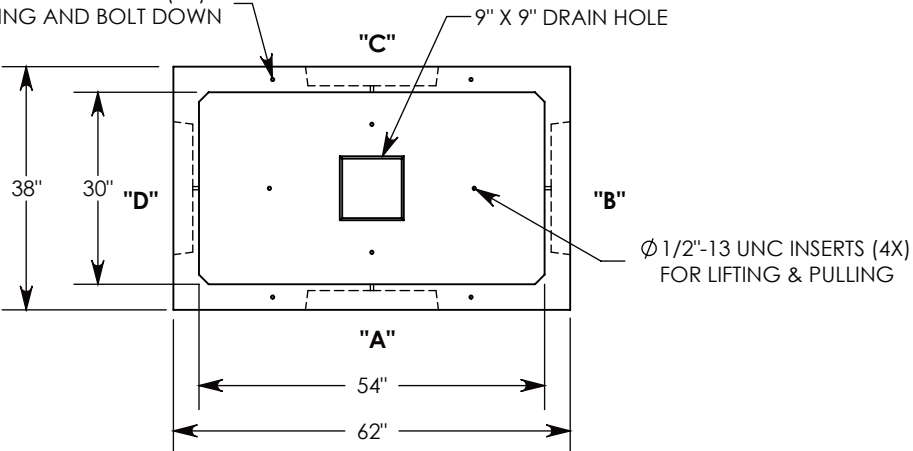
REV. B - MKM - 5/29/2018 - UPDATED MODEL & DRAWING
 REV. C - SIC - 2/19/2020 - UPDATED DRAWING; UPDATED ALUMINUM COVER WEIGHT, WAS 35 LBS

1/2"-13 UNC X 1.5" LG HEX HD BOLT (4X)
 P/N: HHB.5-1.5

PEDESTRIAN RATED
 ALUMINUM COVER (2X)
 ~37 LBS EACH
 P/N: 38-31-A

ALUM. ID PLATE (2X)
 "CONCAST"
 P/N: LTR-ID

Ø 1/2"-13 UNC INSERTS (4X)
 FOR LIFTING AND BOLT DOWN



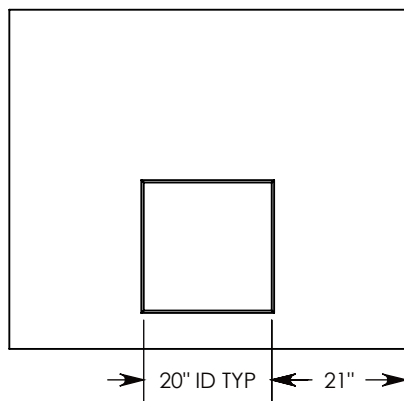
CONCRETE PULL BOX
 ~3304 LBS
 P/N: PBKO1-38-62-53

3" DEEP KNOCKOUTS
 CAST INTO ALL 4 SIDES

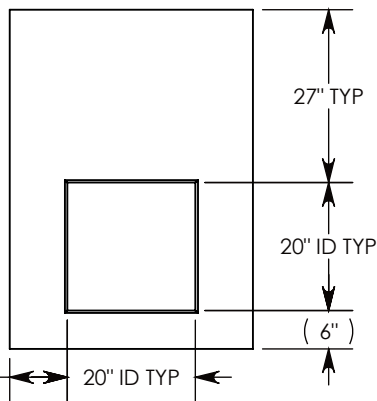
Ø 1/2"-13 UNC INSERT (4X) FOR
 PULLING EYES. LOCATED ON
 BOX INTERIOR (1X PER SIDE)

LIFTING RING SHOWN EXTENDED

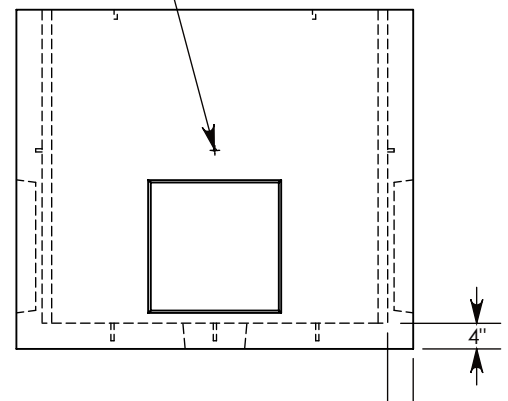
COVER SHOWN IN THIS VIEW



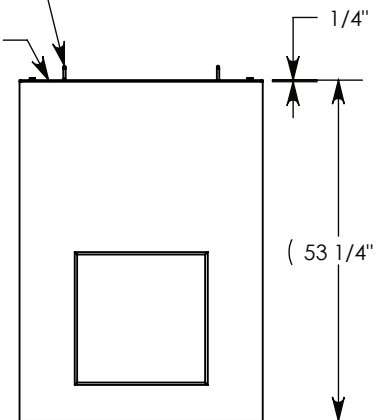
SIDE "A" (HLR)



SIDE "B" (HLR)



SIDE "C"



SIDE "D" (HLR)

NOTE 1: FOR ADDED SECURITY, PENTA HEAD BOLTS (P/N: PTA.5-1.5) CAN BE ADDED

PEDESTRIAN RATED - 200 LB. PER SQ. FOOT

DRAWN BY: **ROBIN FLINT**

CREATED DATE: **4/16/2010**

REVISION LEVEL: **C**

SAVED DATE: **2/19/2020**

SAVED BY: **scallahan**

WEIGHT:
3379 LBS.

MATERIAL:
NOTED



CONCAST
 1010 NORTH STAR DRIVE
 P.O. BOX 69
 ZUMBROTA, MN 55992-0069

DESCRIPTION:

CONCRETE PULL BOX W/AL. COVERS

DIMENSIONS ARE IN INCHES
 TOLERANCES:
 FRACTIONAL: ± 1/8"
 ANGULAR: ± 2°

CONTACT INFORMATION:
 EMAIL: INFO@CONCASTINC.COM
 PHONE: (507) 732-4095
 FAX: (507) 732-4094

SHEET 1 OF 1

PART NUMBER:

PBKO1-38-62-53-A