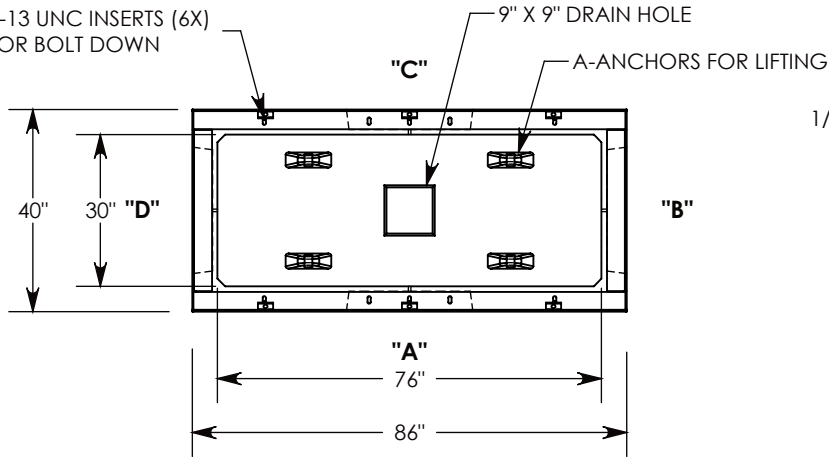


REV A - MKM - 7/24/18 - UPDATED NOTES & DIMENSIONS
 REV B - MKM - 3/13/19 - UPDATED SURELOCK NOTE

Ø 1/2"-13 UNC INSERTS (6X)
 FOR BOLT DOWN



3/8-16 UNC X 1.5" LG HEX HD BOLT (6X)
 P/N: HHB.38-1.5

H-20 HEAVY TRAFFIC RATED
 GALV. STEEL COVER (3X)
 ~149 LBS
 P/N: 40-29-RSG

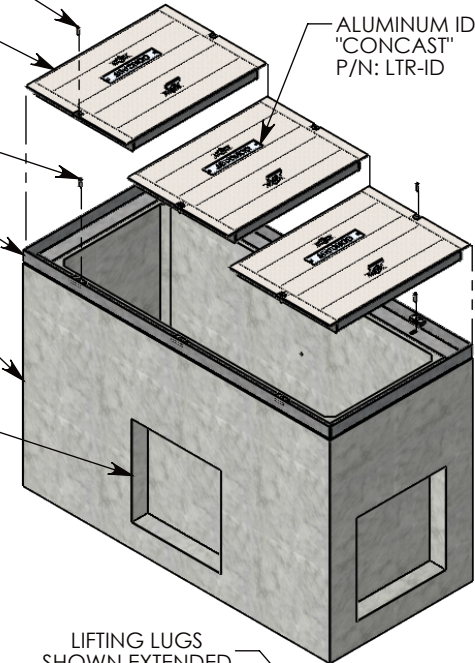
ALUMINUM ID PLATE (3X)
 "CONCAST"
 P/N: LTR-ID

1/2-13 UNC X 1.5" LG HEX HD BOLT (6X)
 P/N: HHB.5-1.5

BOLT DOWN GALV. STEEL FRAME
 ~119 LBS
 P/N: 40-86-FRM

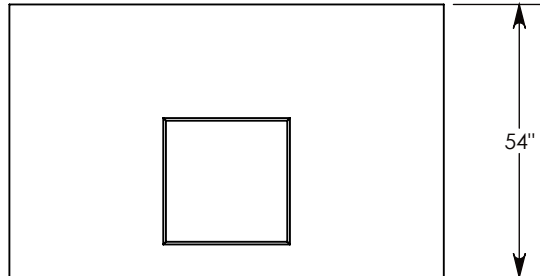
CONCRETE PULL BOX
 ~5242 LBS
 P/N: PBK01-40-86-54

4" DEEP KNOCKOUTS
 CAST INTO ALL 4 SIDES

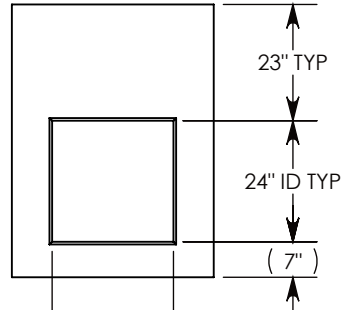


Ø 1/2"-13 UNC INSERT (4X) FOR
 PULLING EYES. LOCATED ON
 BOX INTERIOR (1X PER SIDE)

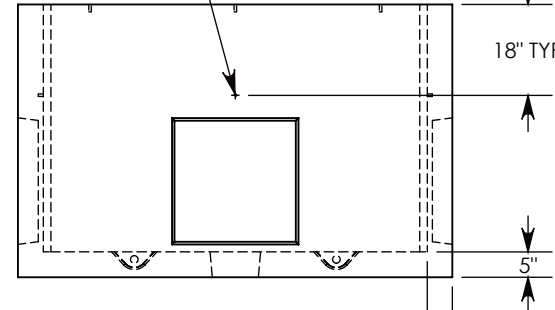
LIFTING LUGS
 SHOWN EXTENDED
 COVER SHOWN IN THIS VIEW



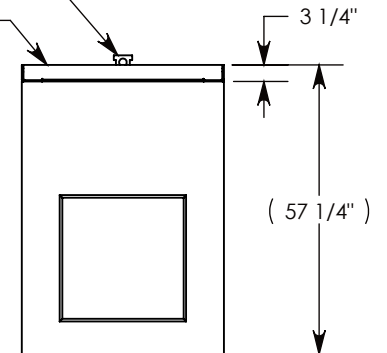
SIDE "A" (HLR)



SIDE "B" (HLR)



SIDE "C"



SIDE "D" (HLR)

NOTE 1: FOR ADDED SECURITY, PENTA HEAD (P/N: PTA.38-1.5) OR SURELOCK BOLTS (P/N:SL.38-1.25) CAN BE ADDED

AASHTO H-20 RATED - 32,000 LB. SINGLE AXLE LOAD

DRAWN BY: ROBIN FLINT

DATE: 3/13/2019

REVISION LEVEL: B

WEIGHT:

5808 LBS. W/COVER

MATERIAL:

NOTED



DESCRIPTION:

CONCRETE PULL BOX W/RSG COVERS

DIMENSIONS ARE IN INCHES
 TOLERANCES:
 FRACTIONAL: ± 1/8"
 ANGULAR: ± 2°

CONTACT INFORMATION:
 EMAIL: INFO@CONCASTINC.COM
 PHONE: (507) 732-4095
 FAX: (507) 732-4094

SHEET 1 OF 1

PART NUMBER:

PBK01-40-86-54-RSG