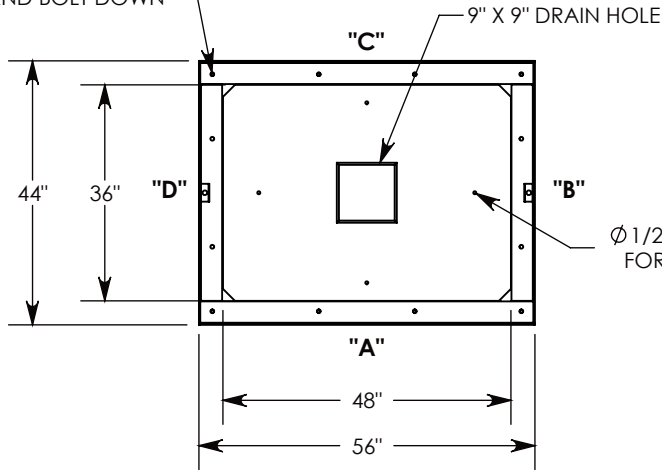


REV A - MKM - 6/4/18 - UPDATED MODEL & DRAWING  
 REV B - MKM - 3/14/19 - UPDATED SURELOCK NOTE

Ø 1/2"-13 UNC INSERTS (4X)  
 FOR LIFTING AND BOLT DOWN



Ø 1/2"-13 UNC INSERT (4X)  
 FOR LIFTING & PULLING

3/8-16 UNC X 1.5" LG HEX HD BOLT  
 P/N: HHB.38-1.5 (2X)

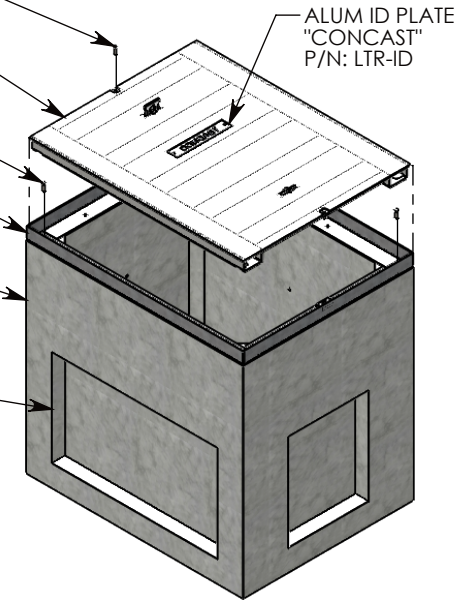
H-20 HEAVY TRAFFIC RATED  
 GALVANIZED STEEL COVER  
 ~340 LBS  
 P/N: 44-56-RSG

1/2-13 UNC X 1.5" LG HEX HD BOLT  
 P/N: HHB.5-1.5 (4X)

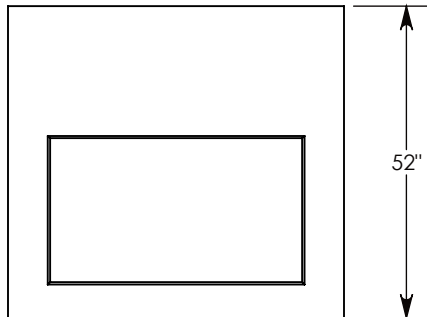
BOLT DOWN GALV. STEEL FRAME  
 ~92 LBS  
 P/N: 44-56-FRM

CONCRETE PULL BOX  
 ~2949 LBS  
 P/N: PBK01-44-56-52

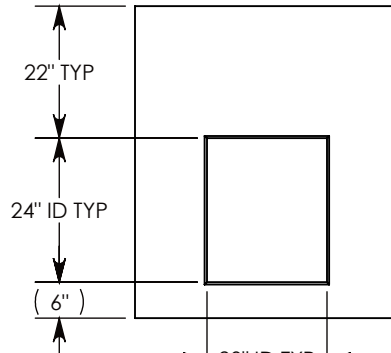
3" DEEP KNOCKOUTS  
 CAST INTO ALL 4 SIDES



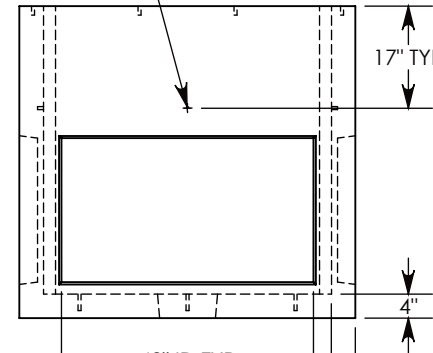
Ø 1/2"-13 UNC INSERT (4X) FOR  
 PULLING EYES. LOCATED ON  
 BOX INTERIOR (1X PER SIDE)



SIDE "A" (HLR)



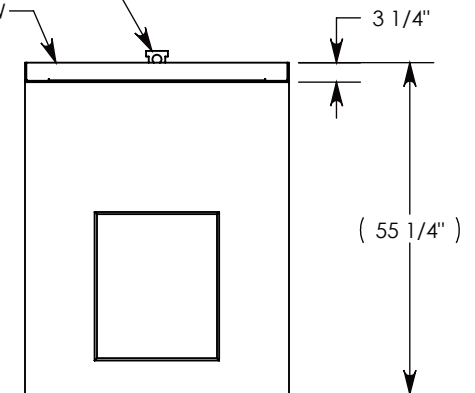
SIDE "B" (HLR)



SIDE "C"

LIFTING LUG  
 SHOWN EXTENDED

COVER SHOWN IN THIS VIEW



SIDE "D" (HLR)

NOTE 1: FOR ADDED SECURITY, PENTA HEAD (P/N: PTA.38-1.5) OR SURELOCK BOLTS (P/N: SL.38-1.25) CAN BE ADDED

AASHTO H-20 RATED – 32,000 LB. SINGLE AXLE LOAD

|                              |                    |
|------------------------------|--------------------|
| DRAWN BY: ROBIN FLINT        |                    |
| DATE: 3/14/2019              | REVISION LEVEL: B  |
| WEIGHT:<br>3377 LBS. W/COVER | MATERIAL:<br>NOTED |

1010 NORTH STAR DRIVE  
 P.O. BOX 69  
 ZUMBROTA, MN 55992-0069

|  |  |              |
|--|--|--------------|
| DESCRIPTION:<br><b>PULL BOX W/ GALV. STEEL COVER</b>                           |  |              |
| DIMENSIONS ARE IN INCHES<br>TOLERANCES:<br>FRACTIONAL: ± 1/8"<br>ANGULAR: ± 2° | CONTACT INFORMATION:<br>EMAIL: INFO@CONCASTINC.COM<br>PHONE: (507) 732-4095<br>FAX: (507) 732-4094 | SHEET 1 OF 1 |
| PART NUMBER:<br><b>PBK01-44-56-52-RSG</b>                                      |  |              |