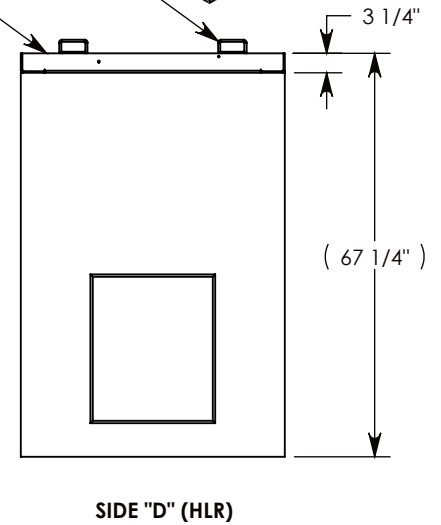
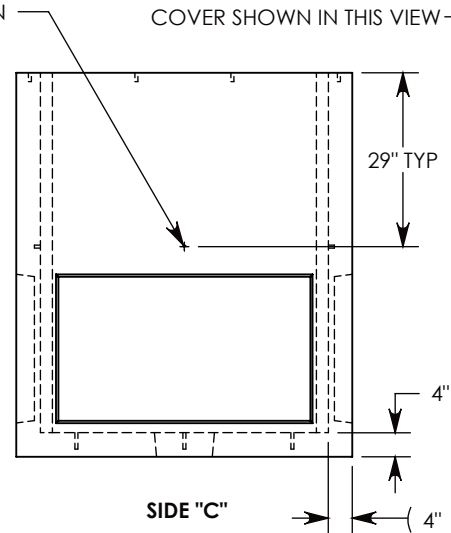
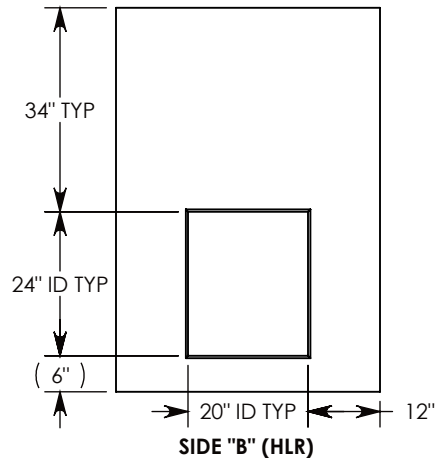
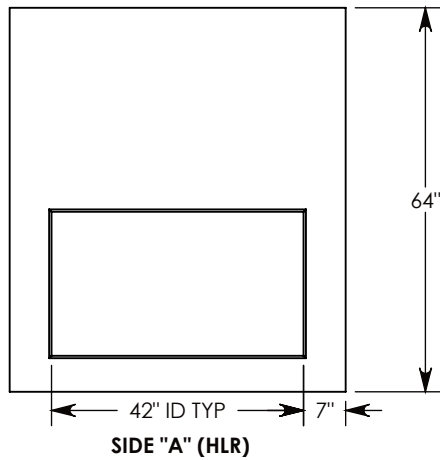


Ø 1/2"-13 UNC INSERTS (4X)  
FOR LIFTING AND PULLING  
Ø 1/2"-13 UNC INSERTS (8X)  
FOR LIFTING AND BOLT DOWN

Ø 1/2"-13 UNC INSERT (4X) FOR  
PULLING EYES. LOCATED ON  
BOX INTERIOR (1X PER SIDE)



NOTE 1: FOR ADDED SECURITY, PENTA HEAD (P/N: PTA.38-1.5) OR SURELOCK BOLTS (P/N: SL.38-1.5) CAN BE ADDED

AASHTO H-20 RATED – 32,000 LB. SINGLE AXLE LOAD

DRAWN BY: **SAMUEL CALLAHAN**

DATE: **5/30/2019**

REVISION LEVEL: **0**

WEIGHT:

**4107 LBS.**

MATERIAL:

**NOTED**



DESCRIPTION:

**CONCRETE PULL BOX W/SPA COVER**

DIMENSIONS ARE IN INCHES

TOLERANCES:  
FRACTIONAL: ± 1/8"  
ANGULAR: ± 2°

CONTACT INFORMATION:

EMAIL: INFO@CONCASTINC.COM  
PHONE: (507) 732-4095  
FAX: (507) 732-4094

SHEET 1 OF 1

PART NUMBER:

**PBK01-44-56-64-SPA**