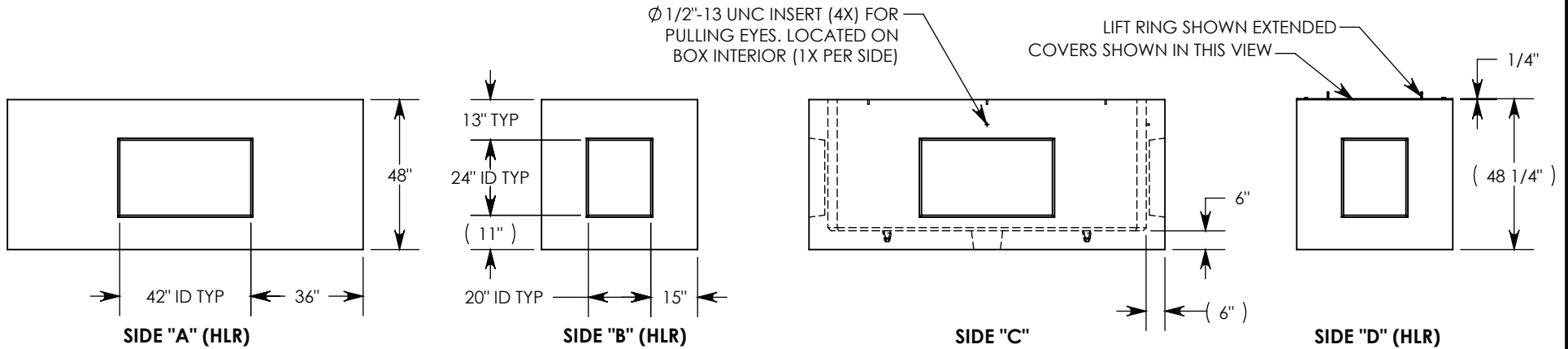
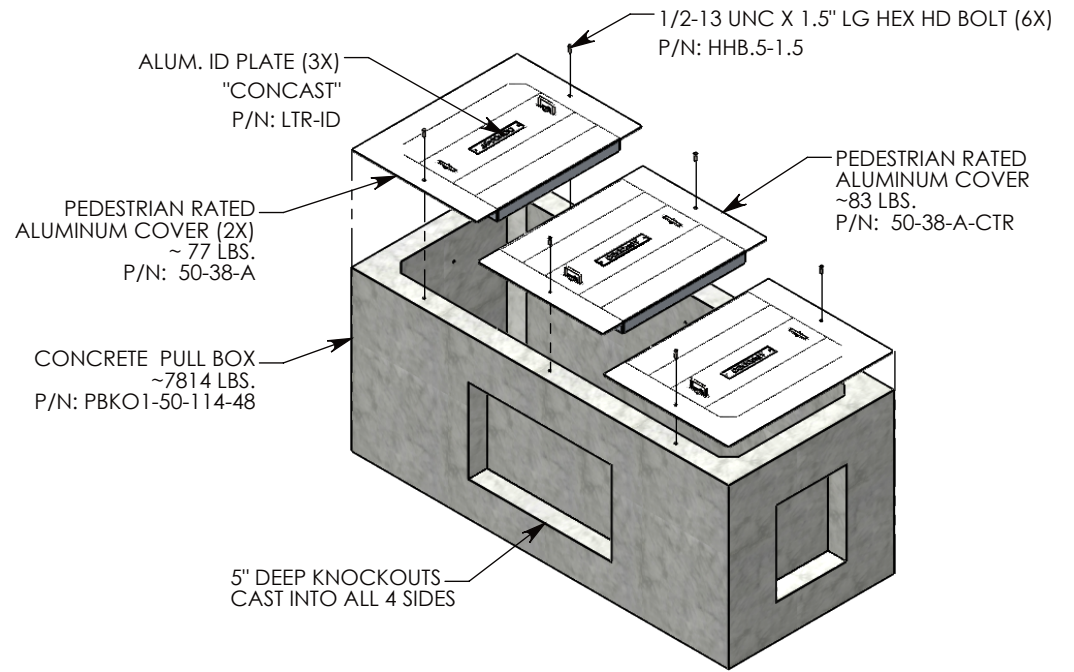
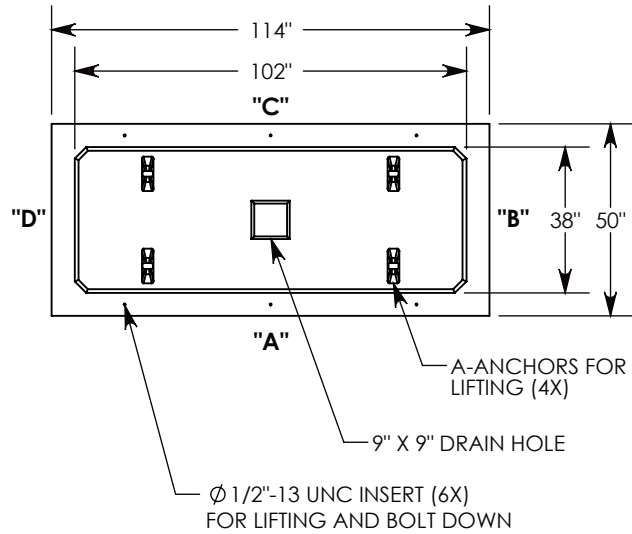


REV. A - SIC - 6/5/2019 - UPDATED ANNOTATIONS, DIMENSIONS, AND VIEWS

REV. B - SIC - 3/4/2020 - UPDATED ANNOTATIONS; UPDATED 50-38-A COVER WEIGHT, WAS 87 LBS; UPDATED 50-38-A-CTR COVER WEIGHT, WAS 94 LBS



NOTE 1: FOR ADDED SECURITY, PENTA HEAD BOLTS (P/N: PTA.5-1.5) CAN BE ADDED

PEDESTRIAN RATED - 200 LB. PER SQ. FOOT

DRAWN BY: ROBIN FLINT	
CREATED DATE: 6/24/2011	REVISION LEVEL: B
SAVED DATE: 3/4/2020	SAVED BY: scallahan
WEIGHT: 8051 LBS.	MATERIAL: NOTED

CONCAST
1010 NORTH STAR DRIVE
P.O. BOX 69
ZUMBROTA, MN 55992-0069

DESCRIPTION: CONCRETE PULL BOX W/ALUMINUM COVERS		SHEET 1 OF 1
DIMENSIONS ARE IN INCHES TOLERANCES: FRACTIONAL: ± 1/8" ANGULAR: ± 2°	CONTACT INFORMATION: EMAIL: INFO@CONCASTINC.COM PHONE: (507) 732-4095 FAX: (507) 732-4094	
PART NUMBER: PBK01-50-114-48-A		