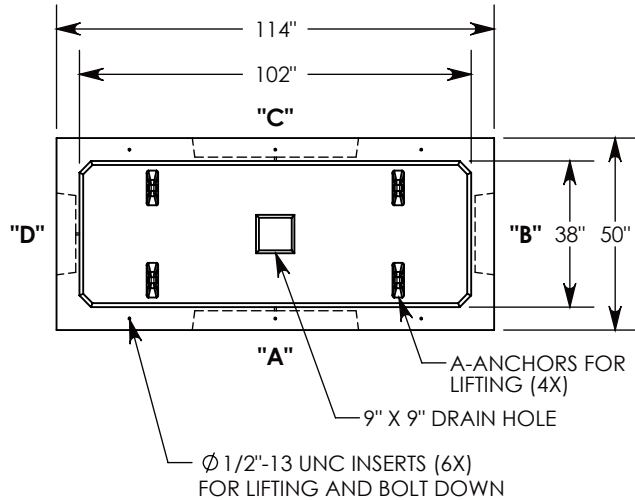


REV. A - SIC - 6/5/2019 - UPDATED ANNOTATIONS, DIMENSIONS, AND VIEWS
 REV. B - SIC - 9/10/2021 - UPDATED TITLEBLOCK



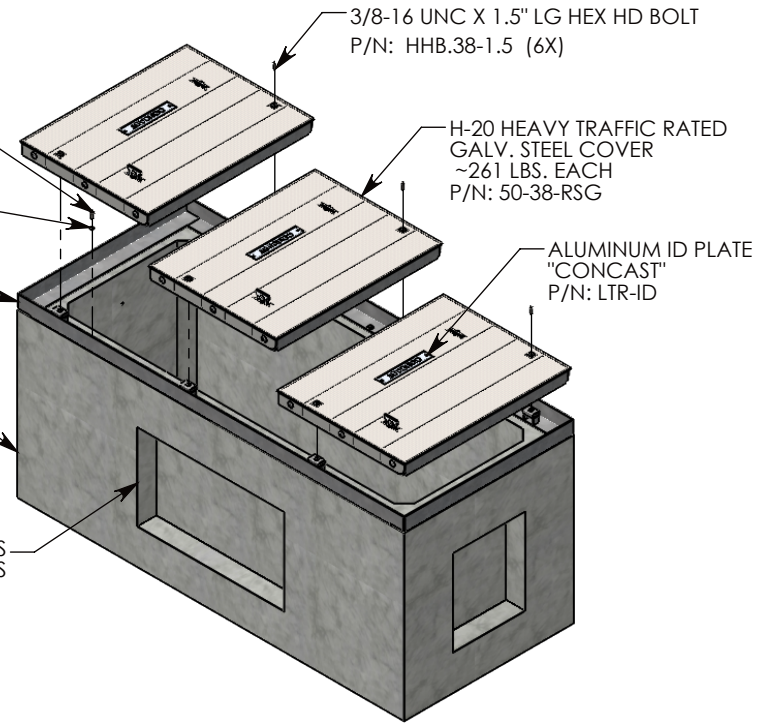
1/2-13 UNC X 1.5" LG HEX HD BOLT
P/N: HHB.5-1.5 (6X)

3/8" STD WASHER - 1" OD
P/N: WSR.38-1G8 (6X)

BOLT DOWN STEEL FRAME
P/N: 50-114-48-RSG
~ 175 LBS

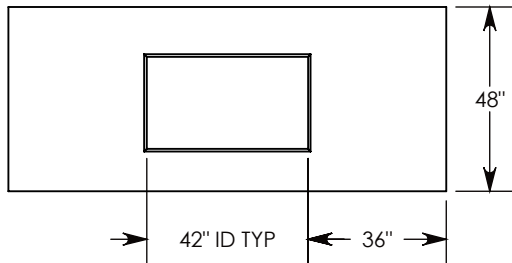
CONCRETE PULL BOX
P/N: PBK01-50-114-48
~7814 LBS

5" DEEP KNOCKOUTS
CAST INTO ALL 4 SIDES

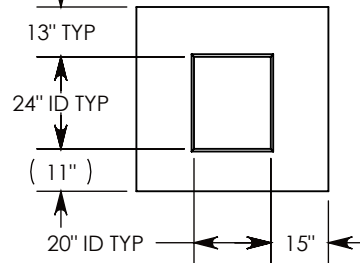


Ø 1/2"-13 UNC INSERT (4X) FOR PULLING EYES. LOCATED ON BOX INTERIOR (1X PER SIDE)

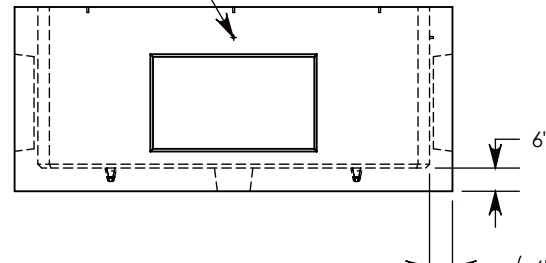
LIFT LUG SHOWN EXTENDED
COVER SHOWN IN THIS VIEW



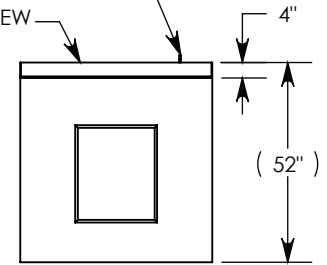
SIDE "A" (HLR)



SIDE "B" (HLR)



SIDE "C"



SIDE "D" (HLR)

NOTE 1: FOR ADDED SECURITY, PENTA HEAD (P/N: PTA.38-1.5) OR SURELOCK BOLTS (P/N: SL.38-1.5) CAN BE ADDED

AASHTO H-20 RATED - 32,000 LB. SINGLE AXLE LOAD

DRAWN BY: JESSE GUTTING	
CREATED DATE: 6/24/2011	REVISION LEVEL: B
SAVED DATE: 9/10/2021	SAVED BY: scallahan
WEIGHT: 8773 LBS.	MATERIAL: NOTED

1010 NORTH STAR DRIVE
P.O. BOX 69
ZUMBROTA, MN 55992-0069

DESCRIPTION: CONCRETE PULL BOX W/ RSG COVERS	
DIMENSIONS ARE IN INCHES TOLERANCES: FRACTIONAL: ± 1/8" ANGULAR: ± 2°	CONTACT INFORMATION: EMAIL: INFO@CONCASTINC.COM PHONE: (507) 732-4095 FAX: (507) 732-4094
PART NUMBER: PBK01-50-114-48-RSG	
SHEET 1 OF 1	