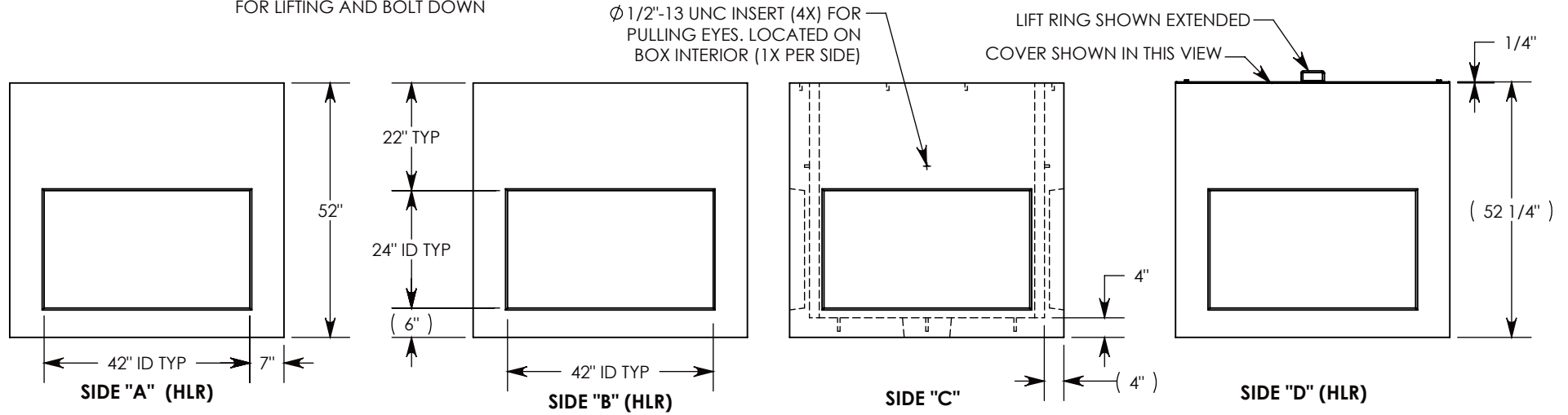
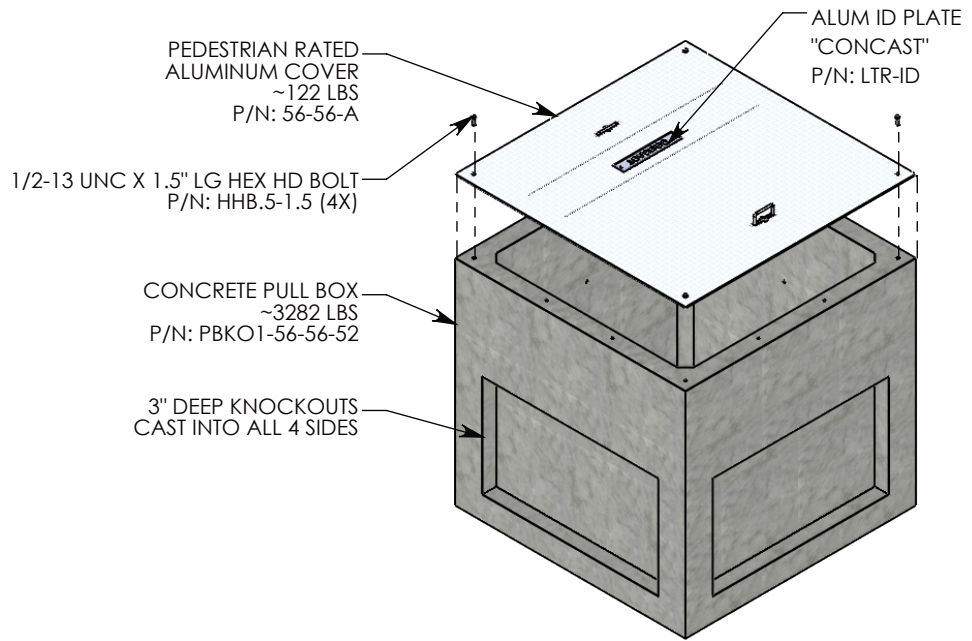
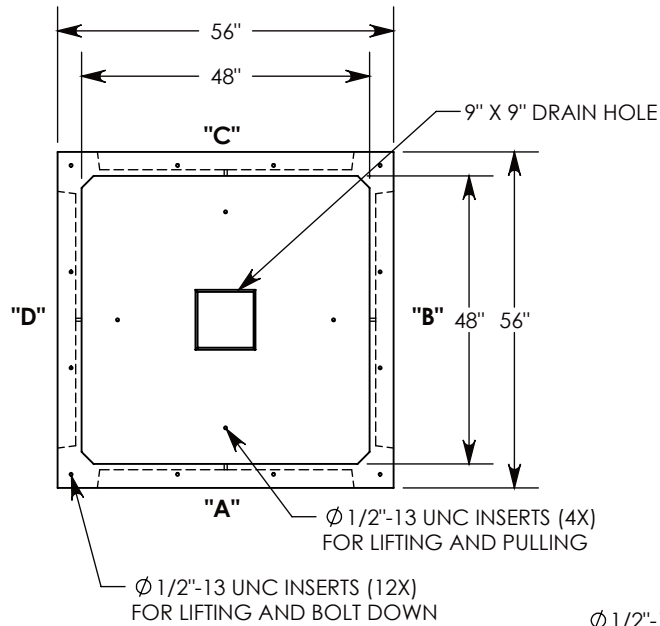


REV. B - MKM - 6/5/2018 - UPDATED MODEL & DRAWING  
 REV. C - SIC - 10/11/2019 - UPDATED NOTES AND DIMENSIONS: 1/2"-13 UNC BOLT DOWN INSERTS, QTY: 12 WAS QTY: 4  
 REV. D - SIC - 2/19/2020 - UPDATED ALUMINUM COVER WEIGHT, WAS 127 LBS



NOTE 1: FOR ADDED SECURITY, PENTA HEAD BOLTS (P/N: PTA.5-1.5) CAN BE ADDED

PEDESTRIAN RATED - 200 LB. PER SQ. FOOT

<b>DRAWN BY:</b> ROBIN FLINT	
<b>CREATED DATE:</b> 3/26/2010	<b>REVISION LEVEL:</b> D
<b>SAVED DATE:</b> 2/19/2020	<b>SAVED BY:</b> scallahan
<b>WEIGHT:</b> 3405 LBS.	<b>MATERIAL:</b> NOTED

**CONCAST**  
 1010 NORTH STAR DRIVE  
 P.O. BOX 69  
 ZUMBROTA, MN 55992-0069

<b>DESCRIPTION:</b> PULL BOX W/ ALUMINUM COVER		SHEET 1 OF 1
DIMENSIONS ARE IN INCHES TOLERANCES: FRACTIONAL: ± 1/8" ANGULAR: ± 2°	CONTACT INFORMATION: EMAIL: INFO@CONCASTINC.COM PHONE: (507) 732-4095 FAX: (507) 732-4094	
<b>PART NUMBER:</b> PBKO1-56-56-52-A		