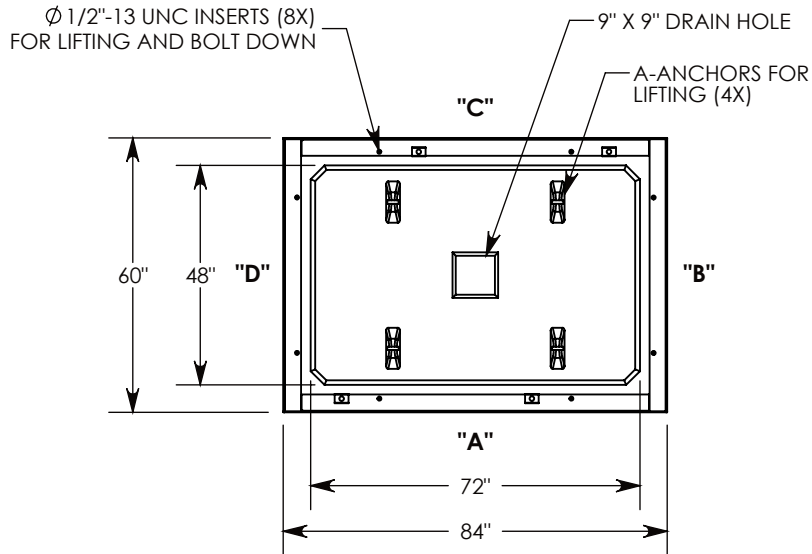


REV A - JCG - 4/26/18 - UPDATED COVER, FRAME & BOX HEIGHT  
 REV B - MKM - 8/14/18 - UPDATED HARDWARE FOR BOLT DOWN  
 REV C - JCG - 1/3/19 - UPDATED NOTES  
 REV D - SIC - 6/6/2019 - UPDATED SURELOCK NOTE



3/8-16 UNC X 1.5" LG HEX HD BOLT (4X)  
 P/N: HHB.38-1.5

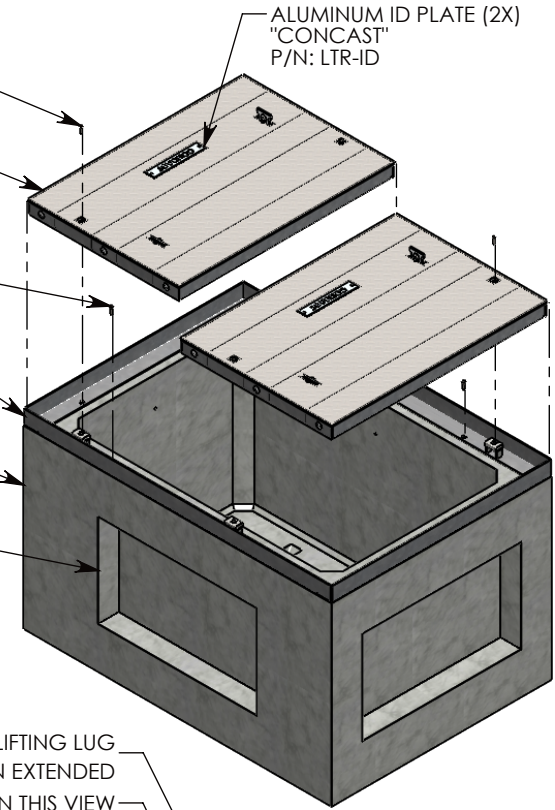
H-20 HEAVY TRAFFIC RATED  
 GALVANIZED STEEL COVER (2X)  
 ~331 LBS  
 P/N: 60-42-RSG

1/2-13 UNC X 1.5" LG HEX HD BOLT (8X)  
 P/N: HHB.5-1.5

BOLT DOWN GALV. STEEL FRAME  
 ~153 LBS  
 P/N: 60-84-FRM

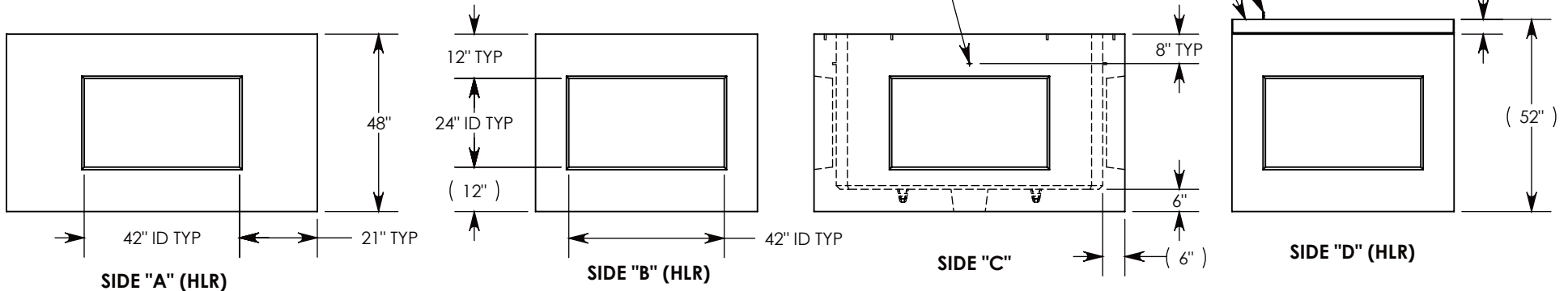
CONCRETE PULL BOX  
 ~6217 LBS  
 P/N: PBK01-60-84-48

5" DEEP KNOCKOUTS  
 CAST INTO ALL 4 SIDES



Ø 1/2"-13 UNC INSERT (4X) FOR  
 PULLING EYES. LOCATED ON  
 BOX INTERIOR (1X PER SIDE)

LIFTING LUG  
 SHOWN EXTENDED  
 COVER SHOWN IN THIS VIEW



**NOTE 1:** FOR ADDED SECURITY, PENTA HEAD (P/N: PTA.38-1.5) OR SURELOCK BOLTS (P/N: SL.38-1.25) CAN BE ADDED  
**NOTE 2:** THE BOX IS COMPOSED OF 7,500 PSI CONCRETE WITH #3 & #4 REBAR REINFORCEMENT

AASHTO H-20 RATED – 32,000 LB. SINGLE AXLE LOAD

<b>DRAWN BY: ROBIN FLINT</b>		 1010 NORTH STAR DRIVE P.O. BOX 69 ZUMBROTA, MN 55992-0069	<b>DESCRIPTION:</b>	
<b>DATE: 6/6/2019</b>	<b>REVISION LEVEL: D</b>		<b>PULL BOX W/GALV. STEEL COVERS</b>	
<b>WEIGHT:</b>	<b>MATERIAL:</b>		DIMENSIONS ARE IN INCHES TOLERANCES: FRACTIONAL: ± 1/8" ANGULAR: ± 2°	CONTACT INFORMATION: EMAIL: INFO@CONCASTINC.COM PHONE: (507) 732-4095 FAX: (507) 732-4094
<b>7033 LBS. W/COVERS</b>	<b>NOTED</b>	<b>PART NUMBER:</b>		
		<b>PBK01-60-84-48-RSG</b>		