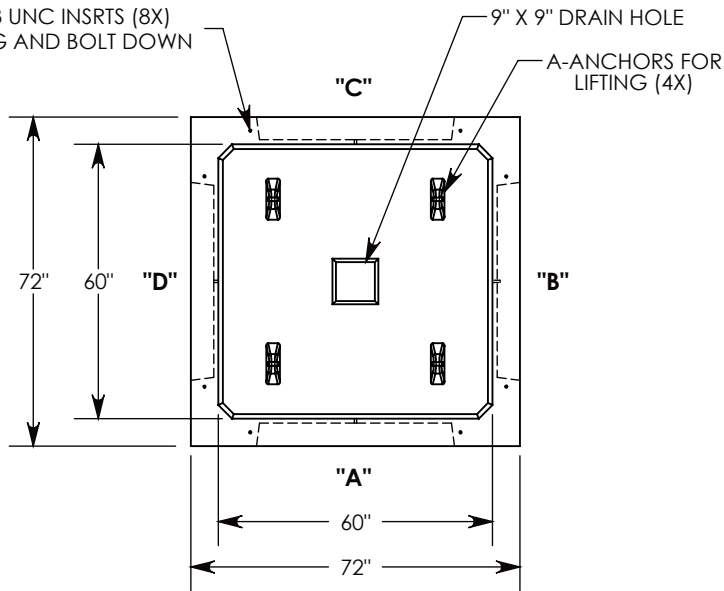


Ø 1/2"-13 UNC INSRTS (8X)
FOR LIFTING AND BOLT DOWN



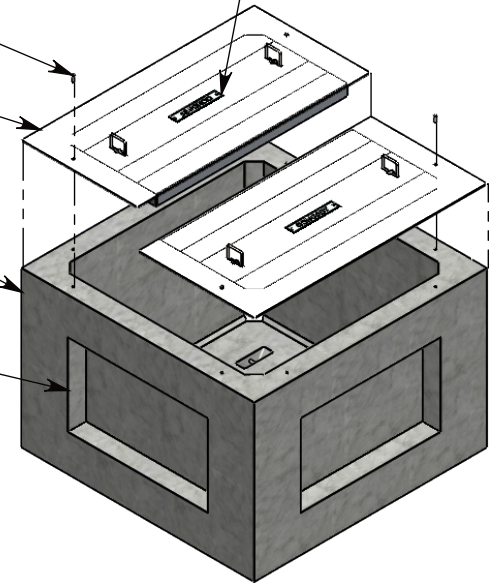
1/2-13 UNC X 1.5" LG HEX HD BOLT (4X)
P/N: HHB.5-1.5

PEDESTRIAN RATED
ALUMINUM COVER (2X)
~117 LBS
P/N: 72-36-A

CONCRETE PULL BOX
~6288 LBS
P/N: PBK01-72-72-48

5" DEEP KNOCKOUTS
CAST INTO ALL 4 SIDES

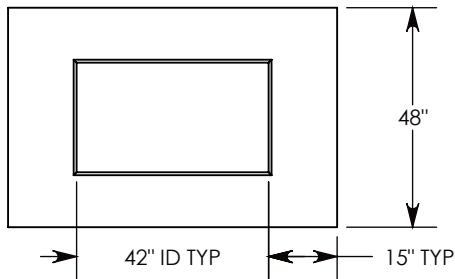
ALUMINUM ID PLATE (2X)
"CONCAST"
P/N: LTR-ID



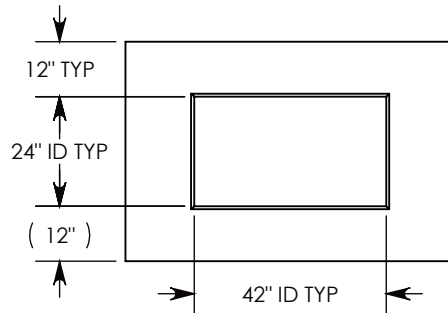
Ø 1/2"-13 UNC INSERT (4X) FOR
PULLING EYES. LOCATED ON
BOX INTERIOR (1X PER SIDE)

LIFTING RING
SHOWN EXTENDED
COVER SHOWN IN THIS VIEW

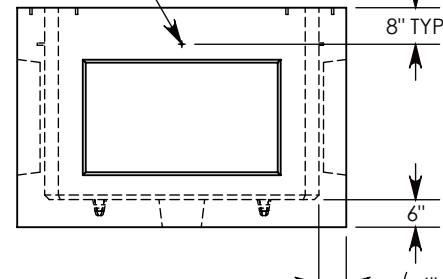
1/4" COVER



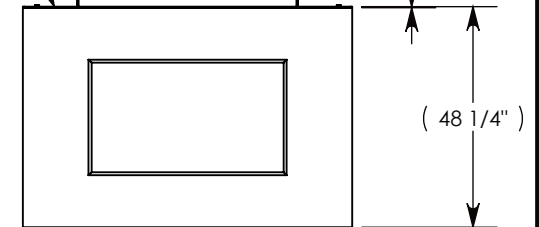
SIDE "A" (HLR)



SIDE "B" (HLR)



SIDE "C"



SIDE "D" (HLR)

NOTE 1: FOR ADDED SECURITY, PENTA HEAD BOLTS (P/N: PTA.5-1.5) CAN BE ADDED

PEDESTRIAN RATED - 200 LB. PER SQ. FOOT

DRAWN BY: ROBIN FLINT

DATE: 8/15/2018

REVISION LEVEL: B

WEIGHT:

6523 LBS. W/COVER

MATERIAL:

NOTED



DESCRIPTION:

PULL BOX W/ALUMINUM COVERS

DIMENSIONS ARE IN INCHES
TOLERANCES:
FRACTIONAL: ± 1/8"
ANGULAR: ± 2°

CONTACT INFORMATION:
EMAIL: INFO@CONCASTINC.COM
PHONE: (507) 732-4095
FAX: (507) 732-4094

SHEET 1 OF 1

PART NUMBER:

PBK01-72-72-48-A