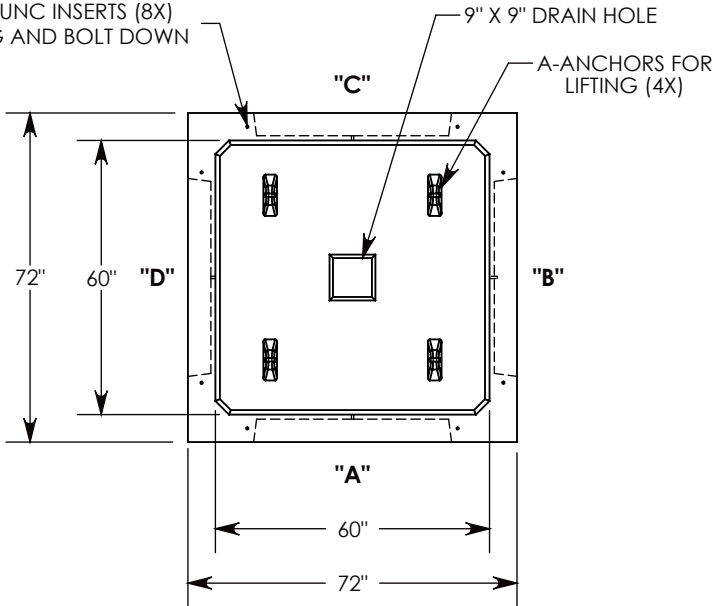
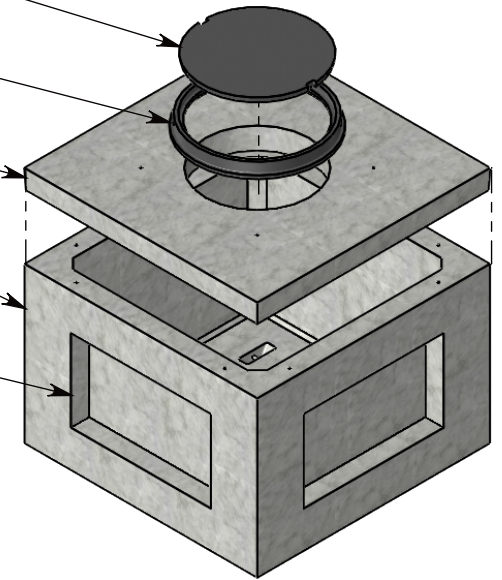


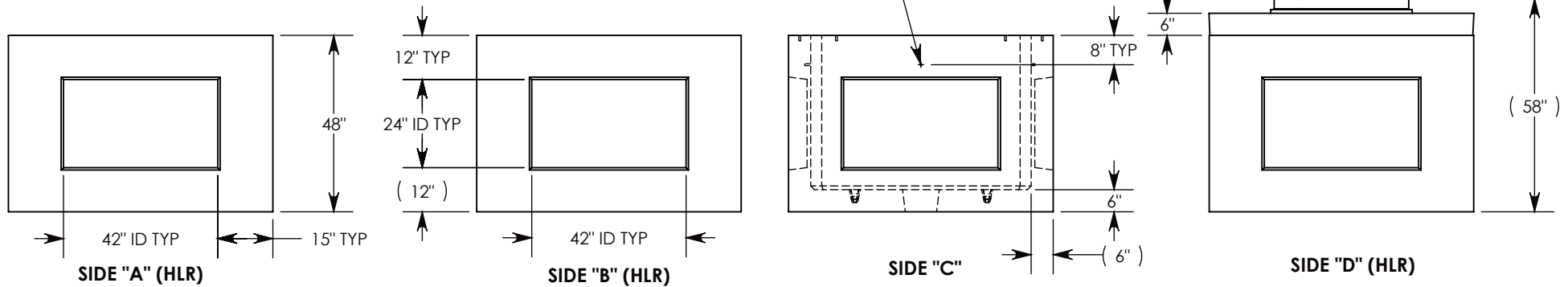
Ø 1/2"-13 UNC INSERTS (8X)  
FOR LIFTING AND BOLT DOWN



- CAST IRON MANHOLE LID  
~353 LBS  
P/N: CI-38-32-CVR
- 34 INCH CAST IRON FRAME  
~178 LBS  
P/N: CI-38-32-FRM
- H-20 HEAVY TRAFFIC RATED  
CONCRETE MANHOLE COVER  
~2344 LBS  
P/N: 72-72-MH
- CONCRETE PULL BOX  
~6288 LBS  
P/N: PBK01-72-72-48
- 5" DEEP KNOCKOUTS  
CAST INTO ALL 4 SIDES



Ø 1/2"-13 UNC INSERT (4X) FOR  
PULLING EYES. LOCATED ON  
BOX INTERIOR (1X PER SIDE)



AASHTO H-20 RATED - 32,000 LB. SINGLE AXLE LOAD

<b>DRAWN BY: ROBIN FLINT</b>		 1010 NORTH STAR DRIVE P.O. BOX 69 ZUMBROTA, MN 55992-0069	<b>DESCRIPTION:</b>	
<b>DATE: 8/20/2018</b>	<b>REVISION LEVEL: B</b>		<b>PULL BOX W/MANHOLE COVER</b>	
<b>WEIGHT:</b>	<b>MATERIAL:</b>		DIMENSIONS ARE IN INCHES TOLERANCES: FRACTIONAL: ± 1/8" ANGULAR: ± 2°	CONTACT INFORMATION: EMAIL: INFO@CONCASTINC.COM PHONE: (507) 732-4095 FAX: (507) 732-4094
<b>9162 LBS. W/COVER</b>	<b>NOTED</b>	<b>PART NUMBER:</b>		<b>PBK01-72-72-48-MH</b>