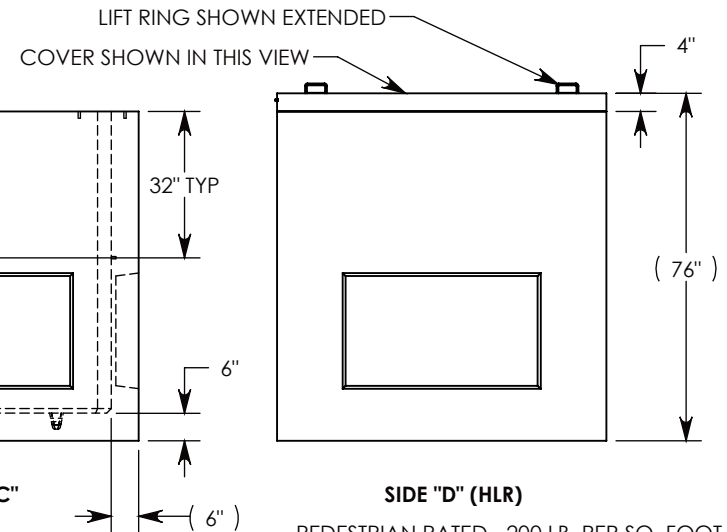


Ø 1/2"-13 UNC INSERT (4X) FOR PULLING EYES. LOCATED ON BOX INTERIOR (1X PER SIDE)



NOTE 1: FOR ADDED SECURITY, PENTA HEAD (P/N: PTA.38-2.5) OR SURELOCK BOLT (P/N: SL.38-2.5) CAN BE ADDED

DRAWN BY: **SAMUEL CALLAHAN**

DATE: **6/11/2019**

REVISION LEVEL: **0**

WEIGHT:

**9709 LBS.**

MATERIAL:

**NOTED**



DESCRIPTION:

**PULL BOX W/ HINGED ALUM COVER**

DIMENSIONS ARE IN INCHES  
TOLERANCES:  
FRACTIONAL: ± 1/8"  
ANGULAR: ± 2°

CONTACT INFORMATION:  
EMAIL: INFO@CONCASTINC.COM  
PHONE: (507) 732-4095  
FAX: (507) 732-4094

SHEET 1 OF 1

PART NUMBER:

**PBK01-72-72-72-HA**