

- 1/2-13 UNC X 1.5" LG HEX HD BOLT (8X)
P/N: HHB.5-1.5
- 1/2" WASHER - 1-3/8" OD (8X)
P/N: WSR.5-1.38
- 3/8-16 UNC X 2.5" LG HEX HD BOLT (4X)
P/N: HHB.38-2.5
- BOLT-DOWN GALV. STEEL FRAME & SPA COVER
~958 LBS
P/N: 72-72-SPA

CONCRETE PULL BOX
 ~9437 LBS
 P/N: PBKO1-72-72-72

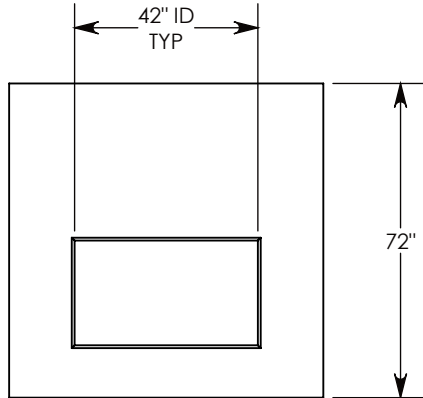
5" DEEP KNOCKOUTS
 CAST INTO ALL 4 SIDE

ALUM ID PLATE
 "CONCAST"
 P/N: LTR-ID

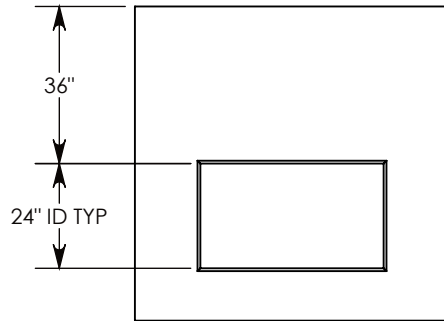
Ø 1/2"-13 UNC INSERT (4X) FOR
 PULLING EYES. LOCATED ON
 BOX INTERIOR (1X PER SIDE)

COVER SHOWN IN THIS VIEW

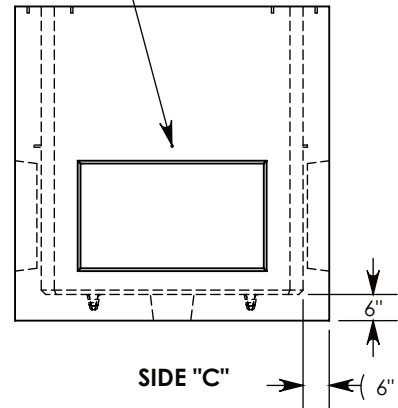
LIFT RING
 SHOWN EXTENDED



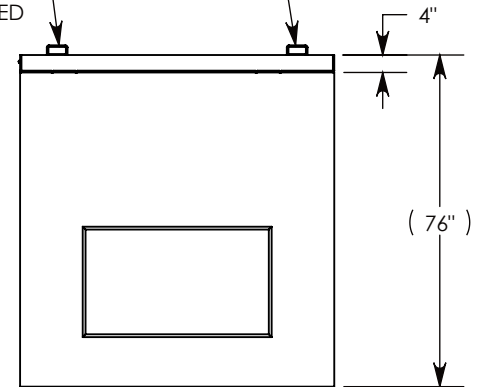
SIDE "A" (HLR)



SIDE "B" (HLR)



SIDE "C"



SIDE "D" HLR

NOTE 1: FOR ADDED SECURITY, PENTA HEAD (P/N: PTA.38-2.5) OR SURELOCK BOLTS (P/N: SL.38-2.5) CAN BE ADDED

AASHTO H-20 RATED - 32,000 LB. SINGLE AXLE LOAD

DRAWN BY: **JESSE GUTTING**

CREATED DATE: **6/24/2011** REVISION LEVEL: **B**

SAVED DATE: **10/22/2020** SAVED BY: **jgutting**

WEIGHT: **10396 LBS.** MATERIAL: **NOTED**

1010 NORTH STAR DRIVE
 P.O. BOX 69
 ZUMBROTA, MN 55992-0069

DESCRIPTION:

CONCRETE PULL BOX W/ SPA COVER

DIMENSIONS ARE IN INCHES
 TOLERANCES:
 FRACTIONAL: ± 1/8"
 ANGULAR: ± 2°

CONTACT INFORMATION:
 EMAIL: INFO@CONCASTINC.COM
 PHONE: (507) 732-4095
 FAX: (507) 732-4094

SHEET 1 OF 1

PART NUMBER:

PBKO1-72-72-72-SPA