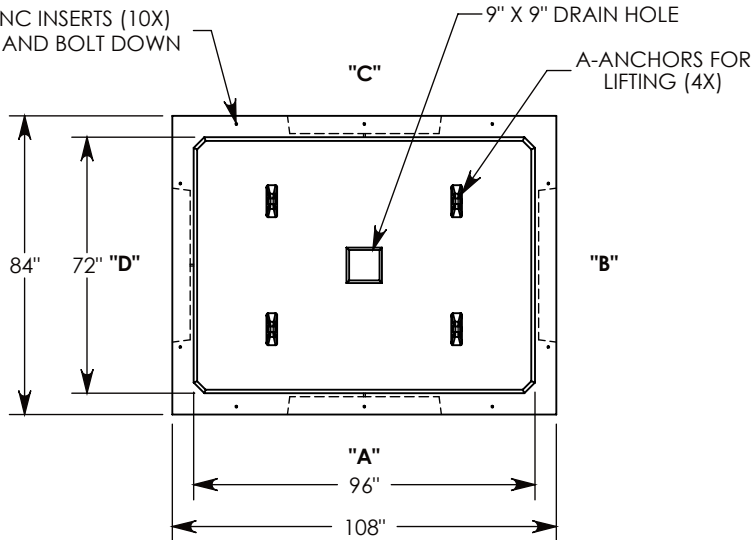


Ø 1/2"-13 UNC INSERTS (10X)
FOR LIFTING AND BOLT DOWN



1/2-13 UNC X 1.5" LG HEX HD BOLT (6X)
P/N: HHB.5-1.5

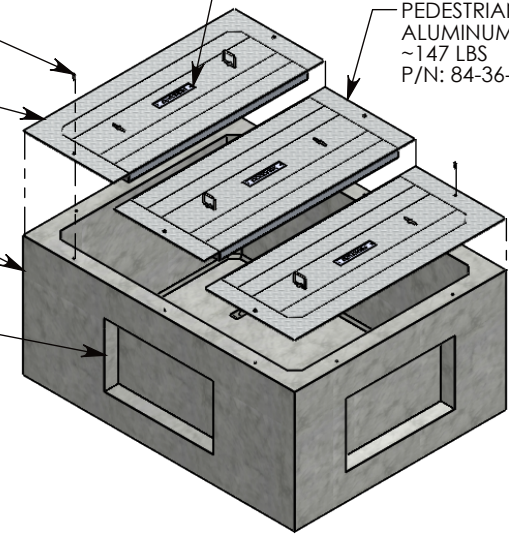
PEDESTRIAN RATED
ALUMINUM COVER (2X)
~135 LBS
P/N: 84-36-A

CONCRETE PULL BOX
~10185 LBS
P/N: PBK01-84-108-48

5" DEEP KNOCKOUTS
CAST INTO ALL 4 SIDES

ALUMINUM ID PLATE (3X)
"CONCAST"
P/N: LTR-ID

PEDESTRIAN RATED
ALUMINUM COVER
~147 LBS
P/N: 84-36-A-CTR

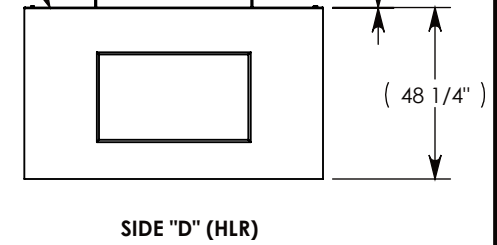
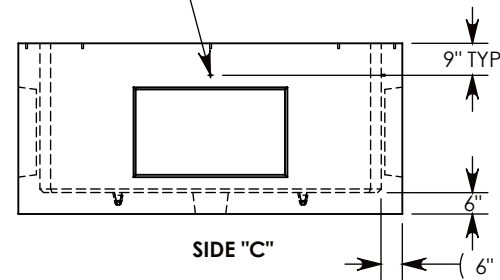
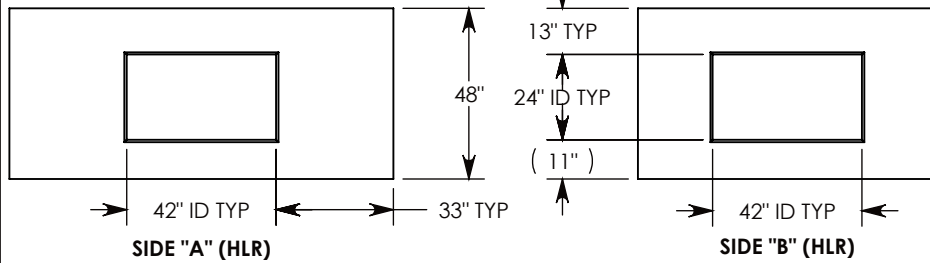


Ø 1/2"-13 UNC INSERT (4X) FOR
PULLING EYES. LOCATED ON
BOX INTERIOR (1X PER SIDE)

LIFTING RING
SHOWN EXTENDED

COVER SHOWN IN THIS VIEW

1/4" COVER



NOTE 1: FOR ADDED SECURITY, PENTA HEAD BOLTS (P/N: PTA.5-1.5) CAN BE ADDED

PEDESTRIAN RATED - 200 LB. PER SQ. FOOT

DRAWN BY: **MALACHI MLINAR**

DATE: **8/23/2018**

REVISION LEVEL: **A**

WEIGHT:

10603 LBS.

MATERIAL:

NOTED



DESCRIPTION:

PULL BOX W/ ALUMINUM COVER

DIMENSIONS ARE IN INCHES

TOLERANCES:
FRACTIONAL: ± 1/8"
ANGULAR: ± 2°

CONTACT INFORMATION:
EMAIL: INFO@CONCASTINC.COM
PHONE: (507) 732-4095
FAX: (507) 732-4094

SHEET 1 OF 1

PART NUMBER:

PBK01-84-108-48-A