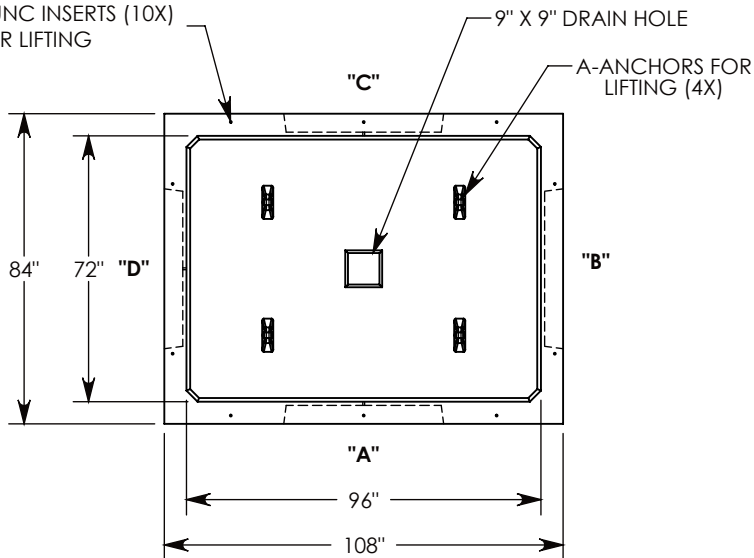


Ø 1/2"-13 UNC INSERTS (10X)
FOR LIFTING



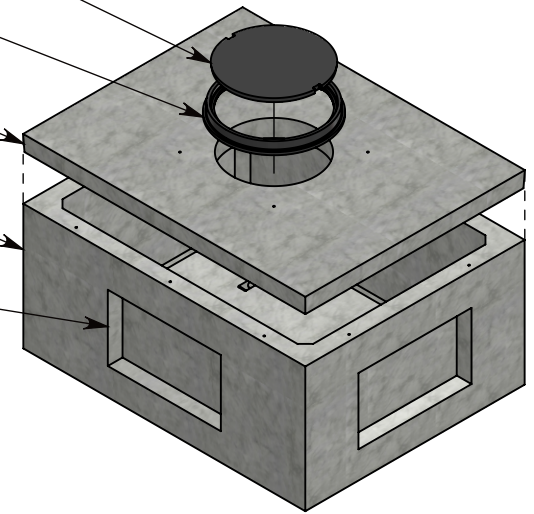
CAST IRON MANHOLE LID
~353 LBS
P/N: CI-38-32-CVR

34 INCH CAST IRON FRAME
~178 LBS
P/N: CI-38-32-FRM

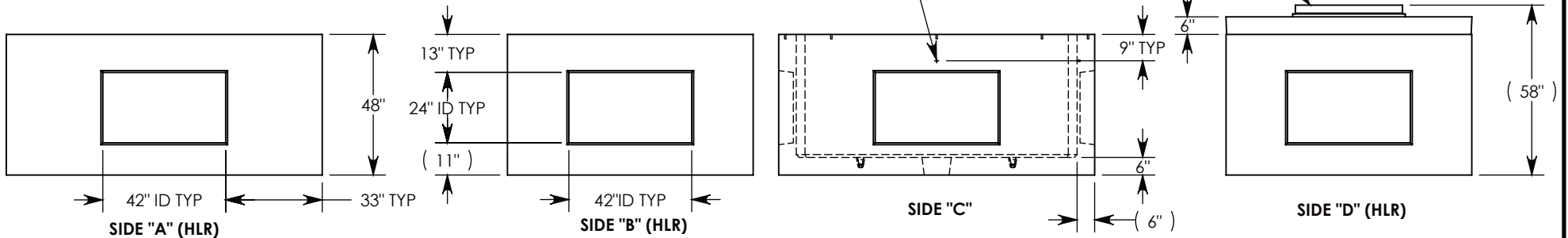
H-20 HEAVY TRAFFIC RATED
CONCRETE MANHOLE COVER
~4518 LBS
P/N: 84-108-MH

CONCRETE PULL BOX
~10185 LBS
P/N: PBK01-84-108-48

5" DEEP KNOCKOUTS
CAST INTO ALL 4 SIDES



Ø 1/2"-13 UNC INSERT (4X) FOR
PULLING EYES. LOCATED ON
BOX INTERIOR (1X PER SIDE)



AASHTO H-20 RATED – 32,000 LB. SINGLE AXLE LOAD

DRAWN BY: MALACHI MLINAR

DATE: 4/3/2019

REVISION LEVEL: A

WEIGHT:

15233 LBS.

MATERIAL:

NOTED



DESCRIPTION:

PULL BOX W/ ALUMINUM COVER

DIMENSIONS ARE IN INCHES

TOLERANCES:
FRACTIONAL: ± 1/8"
ANGULAR: ± 2°

CONTACT INFORMATION:
EMAIL: INFO@CONCASTINC.COM
PHONE: (507) 732-4095
FAX: (507) 732-4094

SHEET 1 OF 1

PART NUMBER:

PBK01-84-108-48-MH