

A-ANCHORS FOR LIFTING (4X)

H-20 HEAVY TRAFFIC RATED REINFORCED CONCRETE COVER
P/N: 84-120-MH
~5082 LBS.

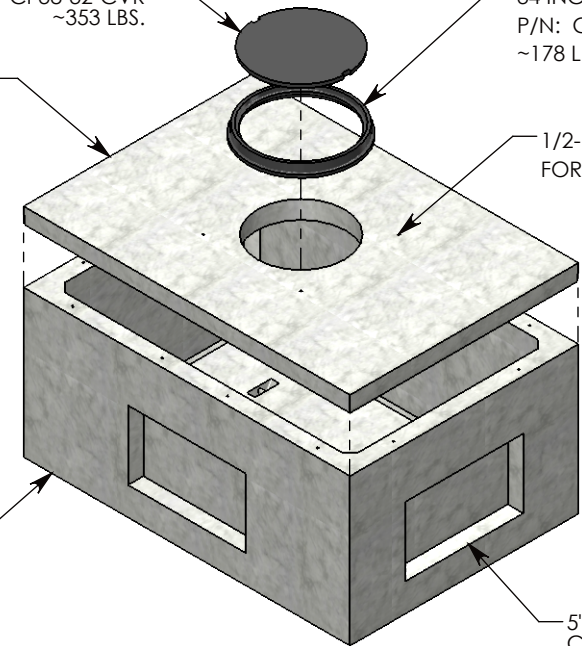
CAST IRON MANHOLE LID
P/N: CI-38-32-CVR
~353 LBS.

34 INCH CAST IRON FRAME
P/N: CI-38-32-FRM
~178 LBS.

1/2-13 UNC INSERT FOR LIFTING (4X)

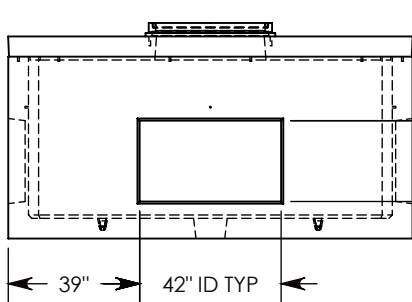
STEEL REINFORCED CONCRETE PULL BOX
P/N: PBKO1-84-120-54
~12317 LBS.

5" DEEP KNOCKOUTS CAST INTO ALL 4 SIDES

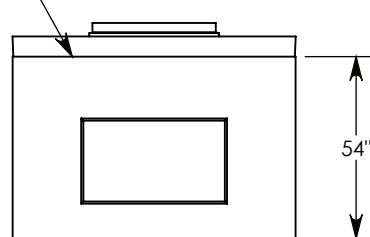


USE JOINT SEALANT

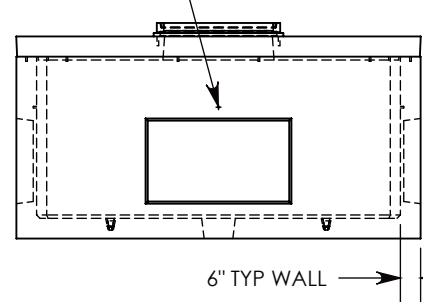
1/2-13 UNC INSERT (4X) FOR PULLING EYES. LOCATED ON BOX INTERIOR (1X PER SIDE)



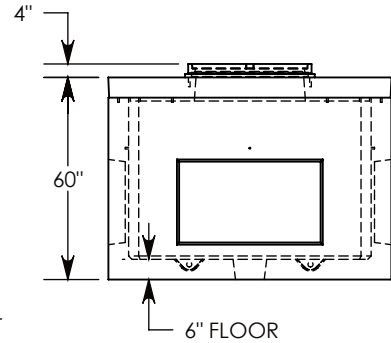
SIDE "A"



SIDE "B" (HLR)



SIDE "C"



SIDE "D"

NOTE 1: JOINT SEALANT TO BE INCLUDED.

AASHTO H-20 RATED - 32,000 LB. SINGLE AXLE LOAD

DRAWN BY: JESSE GUTTING	
CREATED DATE: 6/24/2011	REVISION LEVEL: A
SAVED DATE: 2/23/2021	SAVED BY: jgutting
WEIGHT: 17930 LBS.	MATERIAL: NOTED

1010 NORTH STAR DRIVE
P.O. BOX 69
ZUMBROTA, MN 55992-0069

DESCRIPTION: CONCRETE PULL BOX W/MANHOLE COVER	
DIMENSIONS ARE IN INCHES TOLERANCES: FRACTIONAL: ± 1/8" ANGULAR: ± 2°	CONTACT INFORMATION: EMAIL: INFO@CONCASTINC.COM PHONE: (507) 732-4095 FAX: (507) 732-4094
PART NUMBER: PBKO1-84-120-54-MH	