

REV. A - BLT - 4/14/2022 - CHANGED FLOATING NUT SIZE FROM 2" TO 1 1/2"; UPDATED DESCRIPTION & TRAFFIC NOTE

REV. B - BLT - 4/19/2022 - ADDED HHB.38-3 (4X) TO SUPPLIED PARTS & ADDED TO SHORT SIDE.

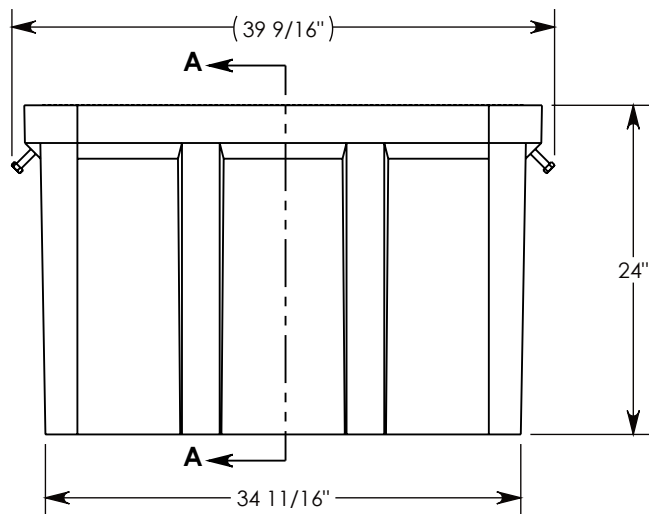
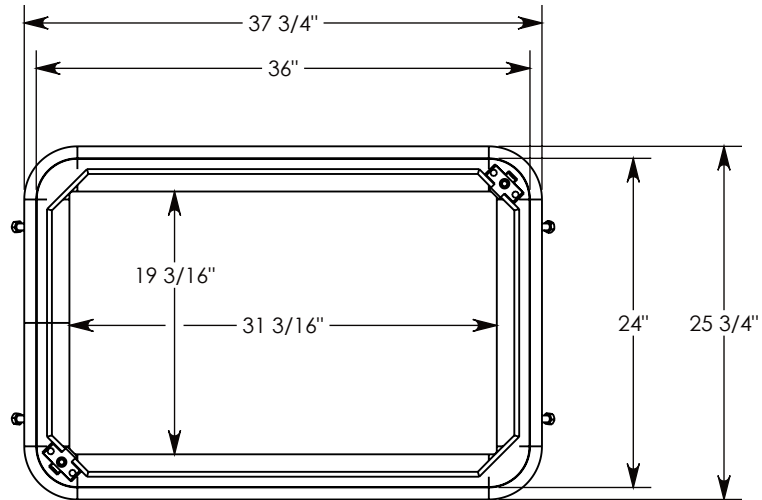
REV. C - BLT - 9/20/2022 - REMOVED INSERTS FROM LONG SIDES, UPDATED COVER MODEL, & ADDED LAG BOLTS TO SHORT SIDES.

REV. D - JCG - 11/9/2022 - UPDATED TO 2.5" COVER BOLTS

REV. E - JCG - 11/16/2022 - UPDATED NAME AND RATING

REV. F - JCG - 12/2/2022 - CHANGED FROM HHB.38-2.5 TO HHB.38-2.75

REV. G - JCG - 3/21/2023 - ADDED BOTTOM OPENING DIMENSIONS



Ø3/8-16 UNC X 2.75" LG HEX HD BOLT (2X)
P/N: HHB.38-2.75

Ø3/8" STD WASHER - 1" OD (2X)
P/N: WSR.38-1

FLOATING NUT PLATE (2X)
P/N: BKT-PH-BD

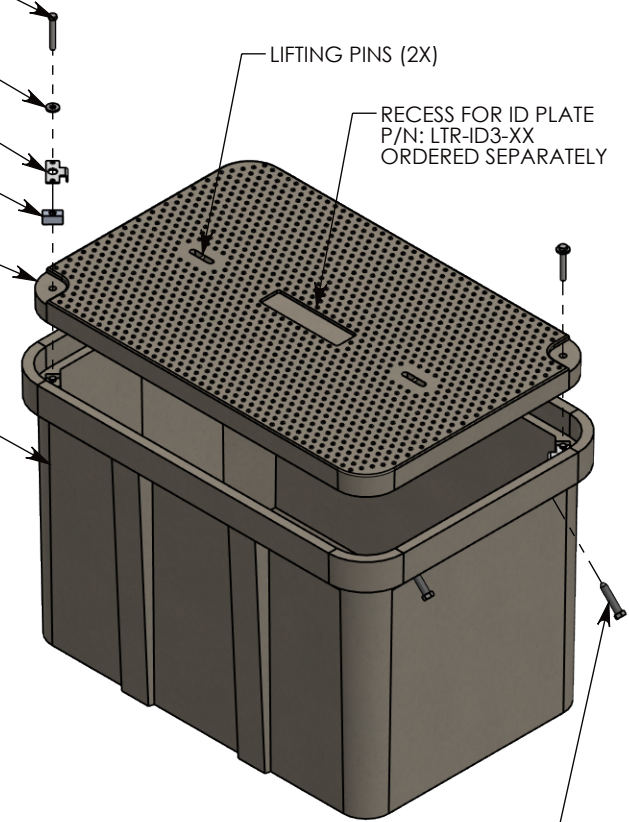
1 1/2" ALUMINUM FLOATING NUT (2X)
P/N: FLT-NUT-9

POLYMER COVER
P/N: 24-36-PH22
~117 LBS.

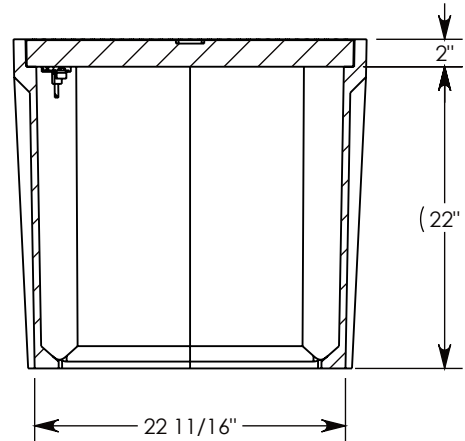
POLYMER BASE
P/N: PH-24-36-24
~156 LBS.

LIFTING PINS (2X)

RECESS FOR ID PLATE
P/N: LTR-ID3-XX
ORDERED SEPARATELY



Ø 1/2"-6 UNC X 2.5" HEX HD LAG BOLT (4X)
FOR LIFTING P/N: HHLB.5-2.5



SECTION A-A

TIER 22 RATED:
VERTICAL DESIGN LOAD 22,500 LBS
VERTICAL TEST LOAD 33,750 LBS

DRAWN BY: **BRIAN TOLLEFSON**

CREATED DATE: **3/28/2022** REVISION LEVEL: **G**

SAVED DATE: **3/21/2023** SAVED BY: **jgutting**

WEIGHT: **275 LBS.** MATERIAL: **NOTED**

1010 NORTH STAR DRIVE
P.O. BOX 69
ZUMBROTA, MN 55992-0069

DESCRIPTION:

POLYMER CONCRETE HAND HOLE

DIMENSIONS ARE IN INCHES
TOLERANCES:
FRACTIONAL: ± 1/8"
ANGULAR: ± 2°

CONTACT INFORMATION:
EMAIL: INFO@CONCASTINC.COM
PHONE: (507) 732-4095
FAX: (507) 732-4094

SHEET 1 OF 2

PART NUMBER:

PH22-24-36-24