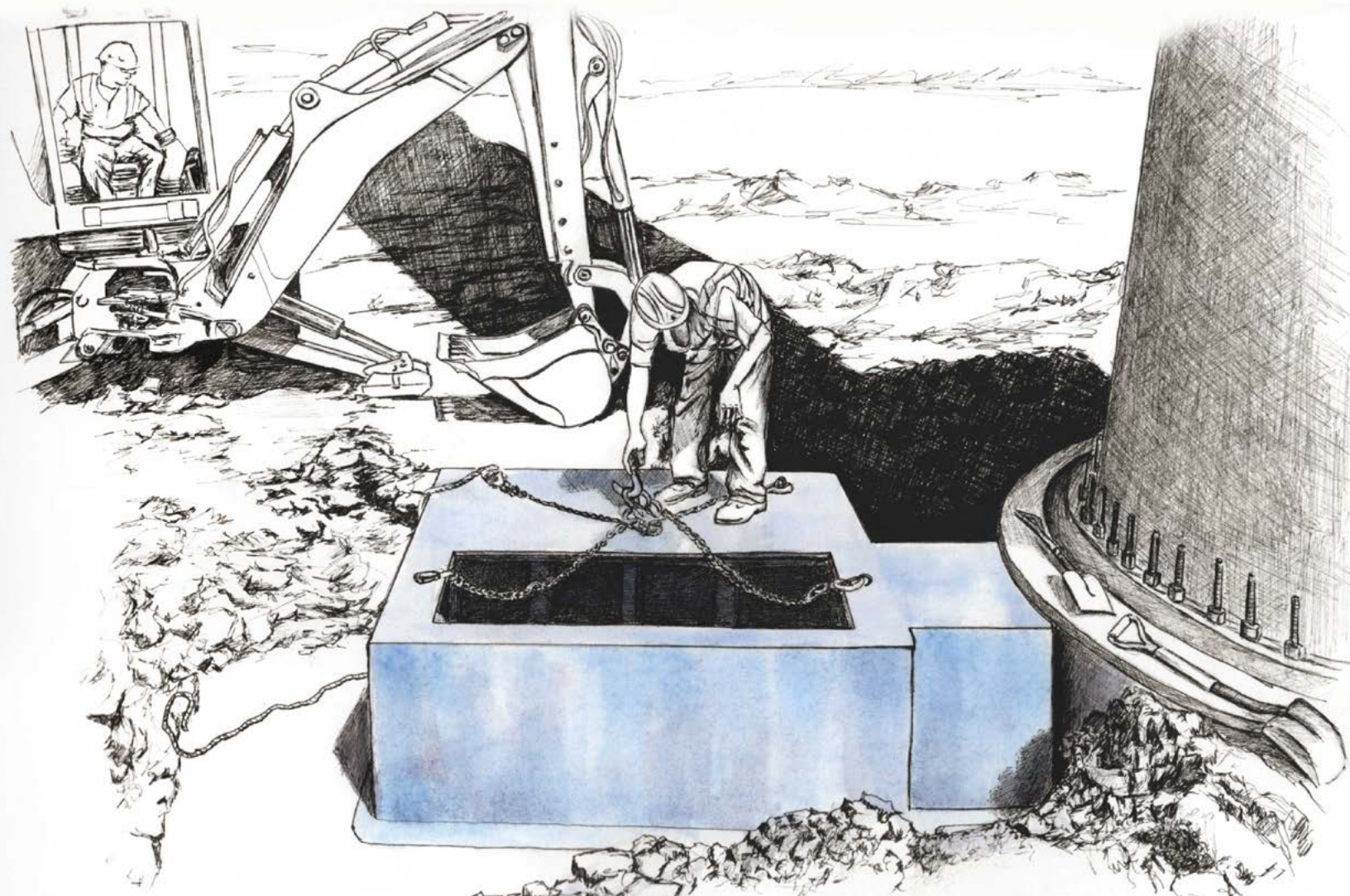


CONCAST

Fibercrete®

PRECISELY ENGINEERED HIGH STRENGTH CONCRETE



BOX PADS



IDEAL USES FOR CONCAST BOX PADS



CAPACITOR BANK



SECTIONALIZER BASE



SWITCHGEAR BASE



TRANSFORMER BASE



TELECOMMUNICATIONS



SOLAR & WIND FARMS

- Concast box pads provide stability and additional cable training space for easier installations.
- Box pads are constructed from Fibercrete®, so they have very high strength to weight ratios. This yields a relatively lightweight, yet extremely tough unit that saves on handling and shipping costs.
- Low in-place cost, plus the proven durability of Fibercrete® add up to a truly economical box pad installation option.

Guide Specifications

Box Pads shall be constructed with Concast Fibercrete® or approved equal. It shall be composed of cement mortar; and reinforced by alkali resistant fiber and deformed high tensile wire or rebar.

Complete recommended specifications can be found in this catalog and online at www.concastinc.com/product_specs/index.php

Detail Drawings Provided

Concast will provide detail drawings for engineering approval, and to assist the construction crew with installation. Drawings of standard boxes can be accessed online.

You can access the installation guidelines online at www.concastinc.com; keyword "guidelines"



Box Pad Overview

BOX PADS

REDUCE INSTALLATION COSTS WITH CONCAST'S FIBERCRETE® BOX PADS

IN-PLACE COST IS LESS than site-cast concrete, conventional precast concrete, plastic mortars, or fiberglass plastics.



Benefits:

- **HANDLING IS EASY.** A crew of 2 or 3 can install a small box pad without using hoisting equipment. The lightweight box construction saves on shipping costs.
- **HIGH STRENGTH MATERIAL.** Fibercrete® fabrication results in a thin-walled product with high strength; providing safe, reliable support for electrical apparatus. Flanges along the perimeter of the box prevent the box from sinking while supporting normal equipment loads.
- **LONG LIFE.** Fibercrete® has a long life; plus fire and corrosion resistance. Inert mineral composition resists temperature extremes, rain, and UV degradation.
- **IMPACT RESISTANT.** Fibercrete® has about three times the impact resistance of ordinary concrete. In addition, the bases are designed with smooth rounded corners, which result in superior resistance to damage or abrasion from machinery and vandals.
- **TAMPER PROOF.** A temporary penta-head, bolt-down Fibercrete® cover can be installed while awaiting equipment installation at a later date.
- **LONG TERM STABILITY.** The underground design of Fibercrete® bases provide more stability than a simple pad. The earth anchoring design resists shifting or tilting. Additionally, the base gives room for terminating conductors and for storing extra cable.
- **NATURAL APPEARANCE.** Smooth, stone-like surfaces blend with natural environment.



Features:

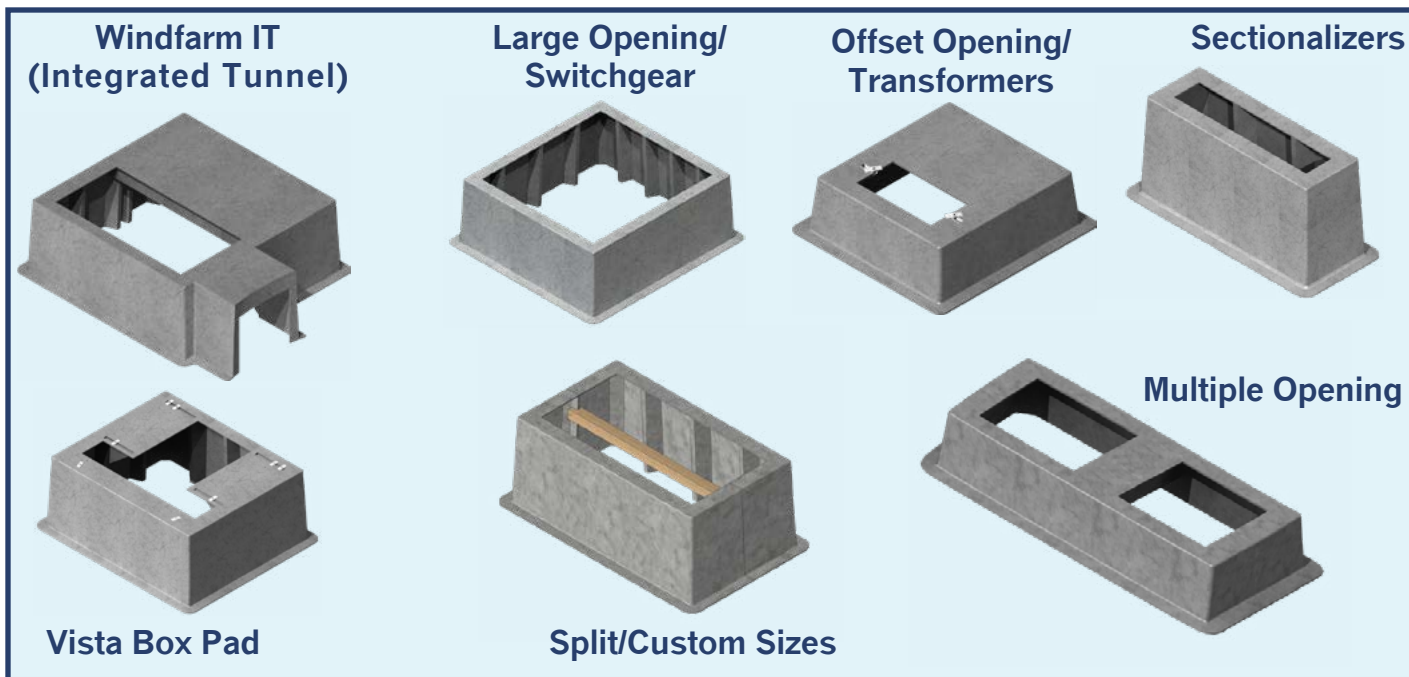
- **SPLIT BOX DESIGN.** Fibercrete® Box Pads can be made to fit any size enclosure. When a standard box is not available, a split box can be produced to the necessary dimensions. See Page 33.
- **VARIABLE OPENING.** Fibercrete® Box Pads can be produced with a number of openings as needed.
- **STACKING.** Some box pad sizes can be nested together to decrease shipping & storage space.

Fibercrete® Box Pads



Box Pad Options

BOX PADS



- Fibercrete® Box Pads can be used to support any enclosure.
- They provide an immediate basement to any above ground enclosure.
- Concast can often customize box pads to meet your specific needs.
- For any special box pad needs, contact your Concast Manufacturing representative, call the factory direct, or refer to www.concastinc.com

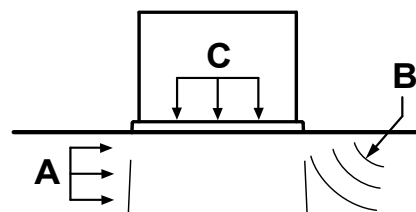
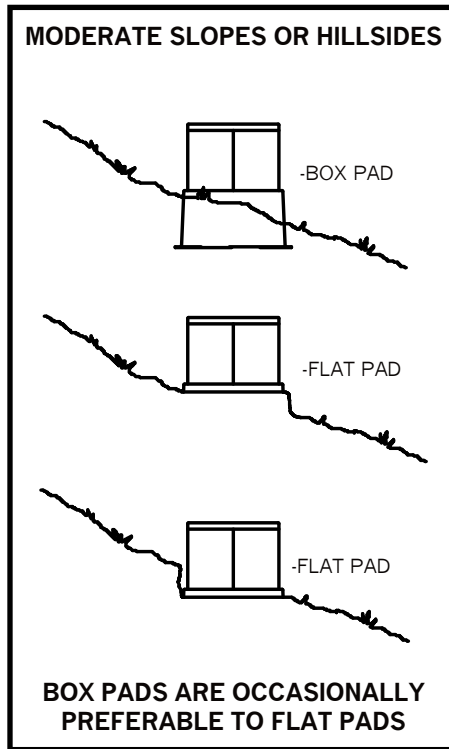
BOX PAD LOADING

As shown in the drawing to the right, a box pad may be a better option when installing equipment on a slope.

The diagram in the lower right corner of this page illustrates the loading forces to which box pad bases are typically exposed to.

- "A" Side earth pressure
- "B" Cone of influence from adjacent vertical loads such as vehicle traffic
- "C" Weight of mounted equipment.

Bases must withstand additional stresses at "A", "B", & "C" during installation, backfill, and equipment placement. All Fibercrete® bases are designed and tested to resist these loading forces. Technical data and laboratory test reports are available from Concast.



Fibercrete® Box Pads



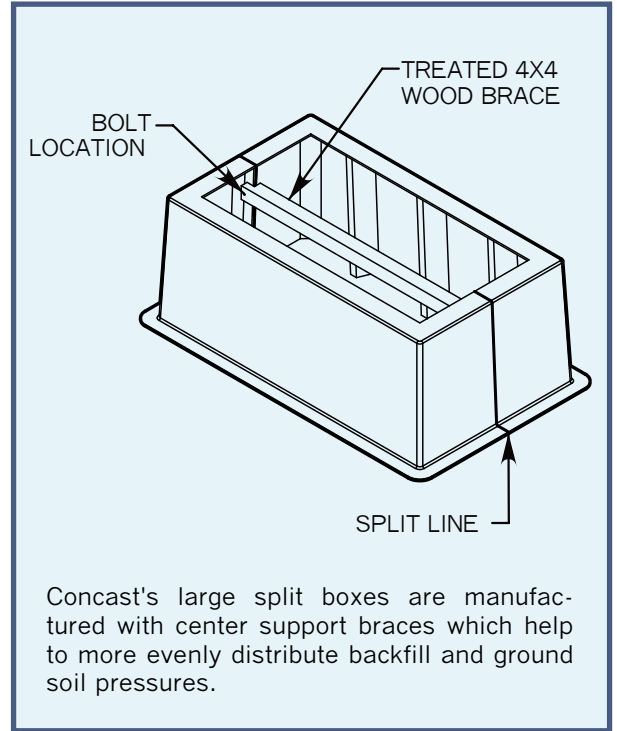
Split & Extended Boxes

Even with Concast's large and ever-growing mold inventory, there are instances when a special size box pad is needed. Concast has perfected a method for producing these non-standard sizes.

Split boxes are built by creating two halves from an existing mold. The halves are then adhered, sealed, and bolted together at the factory and shipped as one unit. Larger boxes will usually have treated wood braces spanning and reinforcing the seam of the split box.

These boxes have the same strength and durability as our standard one piece boxes, plus they are optimally sized to meet your project's special needs.

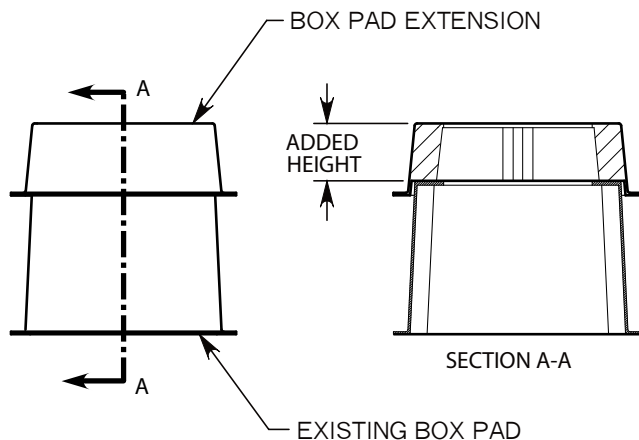
Two piece box pads can be shipped unassembled for instances where existing equipment foundations need to be replaced. The box pad will come with a kit that includes all of the necessary adhesive and hardware to assemble on site.



BOX PADS

IDEAL USES:

- Custom or special size equipment
- Extra large equipment
- One time side requirements
- Reinstallations



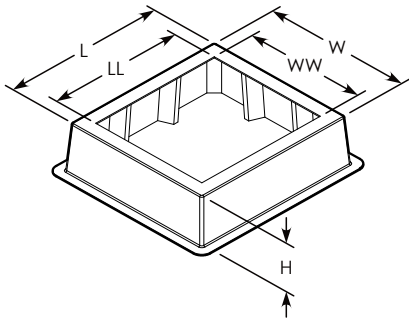
BOX PAD EXTENSIONS

Concast has developed box pad extensions to help with areas where grade changes occur. These extensions can be used to give any box pad added elevation without excavation of existing bases. These extensions fit over existing pads and can be made to accommodate new grade height.

Box pad extension can also be used at initial installation sites to meet extra depth requirements.



STANDARD OPENING BOX PAD

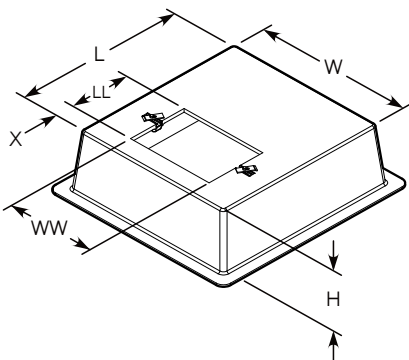


- The listed standard Fibercrete® box pads are shown with the maximum opening.
- More sizes can be built using Concast's split box pad technology.
- PDF drawings can be viewed online at www.concastinc.com/box_pads/Standard_Opening/

BOX PAD CUSTOMIZATION OPTIONS:

- Hold-down clamps
- Threaded inserts
- Unistrut Channel
- Toggle Nuts
- Custom Knockouts
- Custom Holes

OFFSET OPENING BOX PAD



- Offset opening box pads are generally used to support transformers.
- Many opening sizes are available.
- PDF drawings for markup can be viewed online at www.concastinc.com/box_pads/Offset_Opening/
- When ordering offset opening box pads, specify "LL", "WW", and "X".

STANDARD OPENING BOX PADS	LENGTH	WIDTH "W"	HEIGHT	CENTERED OPENING "LL x WW"	OFFSET OPEN-
FC-18-24-12-1218	18"	24"	12"	12 x 18	
FC-18-32-12-0522	18"	32"	12"	5 x 22	
FC-18-32-12-1226	18"	32"	12"	12 x 26	
FC-18-65-20-0653	18"	65"	20"	6 x 53	
FC-18-65-20-1360	18"	65"	20"	13 x 60	
FC-20-33-15-0922	20"	33"	15"	8.5 x 21.5	
FC-20-52-20-1042	20"	52"	20"	10 x 42	
FC-23-31-20-1826	23"	31"	20"	18 x 26	
FC-23-37-32-1832	23"	37"	32"	18 x 32	
FC-23-51-20-1139	23"	51"	20"	11 x 39	
FC-23-67-20-1862	23"	67"	20"	18 x 62	
FC-23-67-32-1862	23"	67"	32"	18 x 62	
FC-23-69-20-1157	23"	69"	20"	11 x 57	
FC-23-69-36-1157	23"	69"	36"	11 x 57	
FC-23-79-20-1167	23"	79"	20"	11 x 67	
FC-23-85-32-1880	23"	85"	32"	18 x 80	
FC-28-85-36-1673	28"	85"	36"	16 x 73	
FC-30-30-24-2525	30"	30"	24"	25 x 25	✓
FC-31-37-32-2632	31"	37"	32"	26 x 32	
FC-32-85-32-2780	32"	85"	32"	27 x 80	
FC-32-85-36-2378	32"	85"	36"	23 x 78	
FC-33-42-32-2635	33"	42"	32"	26 x 35	
FC-36-52-18-2440	52"	36"	18"	40 x 24	✓
FC-37-40-20-2528	37"	40"	20"	28 x 25	
FC-38-43-15-2631	43"	38"	15"	31 x 26	✓
FC-38-43-32-2631	43"	38"	32"	31 x 26	✓
FC-38-43-36-2631	43"	38"	36"	31 x 26	✓
FC-38-53-20-2641	53"	38"	20"	41 x 26	
FC-39-48-20-2538	48"	39"	20"	38 x 25	
FC-39-75-36-2662	39"	75"	36"	26 x 62	
FC-40-43-15-2831	43"	40"	15"	31 x 28	✓
FC-40-43-18-2831	43"	40"	18"	31 x 28	✓
FC-40-44-24-2832	44"	40"	24"	32 x 28	✓
FC-40-44-32-2832	44"	40"	32"	32 x 28	✓
FC-40-51-36-2839	40"	51"	36"	28 x 39	✓
FC-40-54-36-2943	40"	54"	36"	29 x 43	✓



Standard Box Pads

STANDARD OPENING BOX PAD PART NO.	"L" LENGTH	"W" WIDTH	"H" HEIGHT	CENTERED OPENING "LL x WW"	OFFSET OPENING
FC-40-56-36-2844	40"	56"	36"	28 X 44	✓
FC-40-74-15-2862	40"	74"	15"	28 x 62	
FC-42-42-8-3030	42"	42"	8"	30 x 30	✓
FC-42-42-18-3030	42"	42"	18"	30 x 30	✓
FC-42-42-24-3030	42"	42"	24"	30 x 30	✓
FC-42-48-20-3040	48"	42"	20"	40 x 30	✓
FC-42-48-32-3040	48"	42"	32"	40 x 30	✓
FC-42-82-12-3072C	82"	42"	12"	72 x 30	
FC-42-85-32-3578	50"	69"	36"	15 x 50	
FC-42-121-32-35114	42"	121"	32"	35 x 114	
FC-42-132-20-30120	42"	132"	20"	30 x 120	
FC-43-43-15-3131	43"	43"	15"	31 x 31	✓
FC-43-69-20-3157	43"	69"	20"	31 x 57	
FC-44-44-32-3232	44"	44"	32"	32 x 32	
FC-44-48-15-3236	48"	44"	15"	36 x 32	✓
FC-44-84-36-3272	44"	84"	36"	32 x 72	
FC-44-111-36-3299	44"	111"	36"	32 x 99	
FC-45-45-20-3333	45"	45"	20"	33 x 33	
FC-46-46-32-3434	46"	46"	32"	34 X 34	✓
FC-48-48-30-3636	48"	48"	30"	36 x 36	
FC-49-69-36-3757	49"	69"	36"	57 x 37	
FC-50-50-36-3838	50"	50"	36"	38 x 38	✓
FC-50-54-20-3637C	50"	54"	20"	36 x 37	✓
FC-50-54-20-3842	50"	54"	20"	38 x 42	✓
FC-50-69-20-3857	50"	69"	20"	38 x 57	✓
FC-50-69-36-3857	50"	69"	36"	38 x 57	✓
FC-53-80-20-4168	53"	80"	20"	41 x 68	✓
FC-54-69-36-4257	54"	69"	36"	42 x 57	✓
FC-54-74-20-4262	54"	74"	20"	42 x 62	✓
FC-54-80-36-4268	54"	80"	36"	42 x 68	
FC-56-56-20-4444	56"	56"	20"	44 x 44	
FC-62-92-36-5080	62"	92"	36"	50 X 80	✓
FC-62-92-36-4470C	62"	92"	36"	44 X 70	✓
FC-63-69-20-5157	69"	63"	20"	57 X 51	
FC-63-69-36-5157	69"	63"	36"	57 x 51	✓

STANDARD OPENING BOX PAD PART NO.	"L" LENGTH	"W" WIDTH	"H" HEIGHT	CENTERED OPENING "LL x WW"	OFFSET OPENING
FC-63-69-48-5157	63"	69"	48"	51 x 57	✓
FC-63-105-36-5193	63"	105"	36"	51 x 93	✓
FC-65-65-20-5353	65"	65"	20"	53 x 53	✓
FC-65-74-20-5362	65"	74"	20"	53 x 62	✓
FC-65-74-36-5362	65"	74"	36"	53 x 62	✓
FC-65-86-20-5374	65"	86"	20"	53 x 74	✓
FC-65-86-36-5374	65"	86"	36"	53 x 74	✓
FC-65-112-36-53100	65"	112"	36"	53 x 100	✓
FC-69-79-20-5767	69"	79"	20"	57 x 67	
FC-69-79-36-5767	69"	79"	36"	57 x 67	
FC-69-83-36-5771	69"	83"	36"	57 x 71	✓
FC-69-106-36-5794	69"	106"	36"	57 x 94	
FC-69-117-36-57105	69"	117"	36"	57 x 105	✓
FC-70-70-36-5858	70"	70"	36"	58 x 58	✓
FC-70-80-20-5868	70"	80"	20"	58 x 68	✓
FC-72-96-15-6084	96"	72"	15"	84 x 60	✓
FC-73-79-6-6167	73"	79"	6"	61 x 67	✓
FC-74-76-20-5157C	76"	74"	20"	57 x 51	✓
FC-74-76-20-5258C	76"	74"	20"	57.5 x 51.5	✓
FC-74-76-20-6264	76"	74"	20"	62 x 64	✓
FC-74-76-36-5157C	74"	76"	36"	51 x 57	✓
FC-74-76-36-6264	74"	76"	36"	62 x 64	✓
FC-74-76-48-5157C	74"	76"	48"	51 x 57	✓
FC-74-76-48-6264	74"	76"	48"	62 x 64	✓
FC-74-102-36-6290	74"	102"	36"	62 x 90	
FC-76-76-20-6464	76"	76"	20"	64 x 64	✓
FC-76-76-36-6464	76"	76"	36"	64 x 64	
FC-76-86-36-6474	76"	86"	36"	64 x 74	✓
FC-76-86-48-6474	76"	86"	48"	64 x 74	✓
FC-76-88-36-6274	76"	88"	36"	62 x 74	✓
FC-76-95-36-6477C	76"	95"	36"	64 x 77	
FC-79-79-6-6767	79"	79"	6"	67 x 67	✓
FC-80-86-20-6874	80"	86"	20"	68 x 74	
FC-80-86-36-6874	80"	86"	36"	68 x 74	
FC-80-120-36-68108	80"	120"	36"	68 x 108	✓

BOX PADS

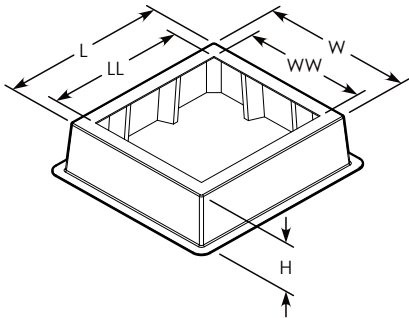
Concast has an [online form](#) to help with the selection process

Fibercrete® Box Pads

Standard & Transformer Box Pads



STANDARD OPENING BOX PAD

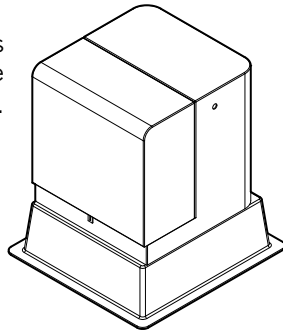


- The listed standard Fibercrete® box pads are shown with the maximum opening.
- More sizes can be built using Concast's split box pad technology.
- PDF drawings can be viewed online at www.concastinc.com/box_pads/Standard_Opening/

STANDARD OPENING BOX PAD PART NO.	LENGTH "L"	WIDTH "W"	HEIGHT "H"	CENTERED OPENING "LL x WW"	OFFSET OPENING
FC-80-86-36-6874	80"	86"	36"	68 x 74	
FC-83-89-20-7177	89"	83"	20"	77 x 71	✓
FC-83-106-36-7194	83"	106"	36"	71 x 94	✓
FC-85-90-20-7378	85"	90"	20"	73 x 78	
FC-85-90-36-7378	85"	90"	36"	73 x 78	
FC-85-122-20-73110	122"	85"	20"	110 x 73	✓
FC-86-86-36-7474	86"	86"	36"	74 x 74	✓
FC-86-98-20-7486	86"	98"	20"	74 x 86	✓
FC-86-98-36-7486	86"	98"	36"	74 x 86	✓
FC-102-102-8-9090	102"	102"	8"	90 x 90	✓
FC-105-112-36-93100	105"	112"	36"	93 x 100	✓

TRANSFORMER BOX PADS

Single phase transformer box pads are light weight and can usually be handled by two people.



TRANSFORMER BOX PADS	LENGTH "L"	WIDTH "W"	HEIGHT "H"	OPENING "LL x WW"	OFFSET "X"
FC-30-30-24-1016(6)	30"	30"	24"	10 x 16	6"
FC-36-52-18-2412(6)	52"	36"	18"	24 x 12	6"
FC-37-40-20-2528	37"	40"	20"	28 x 25	6"
FC-38-43-15-2020(5)	43"	38"	15"	20 x 20	5"
FC-38-43-15-2215(6)	43"	38"	15"	15 x 22	6"
FC-38-43-15-2224(6)	43"	38"	15"	24 x 22	6"
FC-38-43-15-2623(6)	43"	38"	15"	23 x 26	6"
FC-38-43-15-2631	43"	38"	15"	31 x 26	6"
FC-38-43-32-2016(6)	43"	38"	32"	16 x 20	6"
FC-38-43-32-2022(9)	43"	38"	32"	22 x 20	9"

TRANSFORMER BOX PADS	LENGTH "L"	WIDTH "W"	HEIGHT "H"	OPENING "LL x WW"	OFFSET "X"
FC-38-43-32-2215(7)	43"	38"	32"	15 x 22	7"
FC-38-43-32-2229C	43"	38"	32"	29 x 22	7"
FC-38-43-32-2615(7)	43"	38"	32"	15 x 26	7"
FC-38-43-32-2631	43"	38"	32"	31 x 26	6"
FC-38-43-32-2815(7)	43"	38"	32"	15 x 28	7"
FC-38-43-36-2215(7)	43"	38"	36"	15 x 22	7"
FC-38-43-36-2030C	43"	38"	36"	30 X 20	7"
FC-38-43-36-2615(7)	43"	38"	36"	15 x 26	7"
FC-38-43-36-2631	43"	38"	36"	31 x 26	6"
FC-40-43-15-2014(7)	43"	40"	15"	14 x 20	7"
FC-40-43-15-2215(5)	43"	40"	15"	15 x 22	5"
FC-40-43-15-2412(8)	43"	40"	15"	12 x 24	8"
FC-40-43-15-2618(6)	43"	40"	15"	18 x 26	6"
FC-40-43-18-2215(7)	43"	40"	18"	15 x 22	7"
FC-40-43-18-2412(5)	43"	40"	18"	12 x 24	5"
FC-40-43-18-2412(8)	43"	40"	18"	12 x 24	8"
FC-40-43-18-2618(6)	43"	40"	18"	18 x 26	6"
FC-40-43-18-2812(8)	43"	40"	18"	12 x 28	8"
FC-40-43-18-2813(7)	43"	40"	18"	13 x 28	7"

Concast has an online form to help with the selection process [online](#).

Fibercrete® Box Pads



Transformer Box Pads

TRANSFORMER BOX PADS	LENGTH "L"	WIDTH "W"	HEIGHT "H"	OPENING "LL x WW"	OFFSET "X"
FC-40-43-18-2224(6)	43"	40"	18"	24 x 22	6"
FC-40-44-24-1815(7)	40"	40"	24"	15 x 18	7"
FC-40-44-24-2618(5)	44"	40"	24"	18 x 26	5"
FC-40-44-32-2215(7)	44"	40"	32"	15 x 22	7"
FC-40-44-32-2618(6)	44"	40"	32"	18 x 26	6"
FC-40-44-32-2813(8)	44"	40"	32"	13 x 28	8"
FC-40-44-32-2815(6)	44"	40"	32"	15 x 28	6"
FC-40-51-36-1522(6)	40"	51"	36"	15 x 22	6"
FC-40-51-36-1528(6)	40"	51"	36"	15 x 28	6"
FC-40-51-36-1536(6)	40"	51"	36"	15 x 36	6"
FC-40-54-36-1543(6)	40"	54"	36"	15 x 43	6"
FC-40-56-36-1544(6)	40"	56"	36"	15 x 44	6"
FC-40-56-36-2815(6)	40"	56"	36"	28 x 15	6"
FC-42-42-8-1124(7)	42"	42"	8"	11 x 24	7"
FC-42-42-8-1326(6)	42"	42"	8"	13 x 26	6"
FC-42-42-8-1528(7)	42"	42"	8"	15 x 28	7"
FC-42-42-8-2024(7)	42"	42"	8"	20 x 24	7"
FC-42-42-18-1324(6)	42"	42"	18"	13 x 24	6"
FC-42-42-18-1528(7)	42"	42"	18"	15 x 28	7"
FC-42-42-18-2420(7)	42"	42"	18"	24 x 20	7"
FC-42-42-24-1124(6)	42"	42"	24"	11 x 24	6"
FC-42-42-24-1326(6)	42"	42"	24"	13 x 26	6"
FC-42-42-24-1528(7)	42"	42"	24"	15 x 28	7"
FC-42-48-20-2626(4)	48"	42"	20"	26 x 26	4"
FC-42-48-32-2626(4)	48"	42"	32"	26 x 26	4"
FC-43-43-15-2015(6)	43"	43"	15"	15 x 20	6"
FC-43-43-15-2215(5)	43"	43"	15"	15 x 22	5"
FC-43-43-15-2224(6)	43"	43"	15"	24 x 22	6"
FC-43-43-15-2415(7)	43"	43"	15"	15 x 24	7"
FC-43-43-15-2817(6)	43"	43"	15"	17 x 28	6"
FC-44-44-32-2525C	44"	44"	32"	25 x 25	9.5"
FC-44-48-15-2615(6)	48"	44"	15"	15 x 26	6"
FC-44-48-15-2626(6)	48"	44"	15"	26 x 26	6"
FC-44-48-15-3015(6)	48"	44"	15"	36 x 32	6"
FC-45-45-20-2525C	45"	45"	20"	25 x 25	11"
FC-48-48-30-3030C	48"	48"	30"	30 x 30	9"

TRANSFORMER BOX PADS	LENGTH "L"	WIDTH "W"	HEIGHT "H"	OPENING "LL x WW"	OFFSET "X"
FC-48-48-30-3030C	48"	48"	30"	30 x 30	9"
FC-50-50-36-1130(10)	50"	50"	36"	11 x 30	10"
FC-50-50-36-1538(6)	50"	50"	36"	15 x 38	6"
FC-50-50-36-1634(6)	50"	50"	36"	16 x 34	6"
FC-50-54-20-1526(8)	50"	54"	20"	15 x 26	8"
FC-50-54-20-3615(6)	50"	54"	20"	36 x 15	6"
FC-50-69-20-1550(6)	50"	69"	20"	15 x 50	6"
FC-50-69-20-1656(7)	50"	69"	20"	16 x 56	7"
FC-50-69-20-1744(7)	50"	69"	20"	17 x 44	7"
FC-50-69-20-1854(7)	50"	69"	20"	18 x 54	7"
FC-50-69-36-1446(7)	50"	69"	36"	14 x 46	7"
FC-50-69-36-1550(6)	50"	69"	36"	15 x 50	6"
FC-50-69-36-1854(7)	50"	69"	36"	18 x 54	7"
FC-50-69-36-1550(6)	50"	69"	36"	15 x 50	6"
FC-50-69-36-1550(8)	50"	69"	36"	15 x 50	8"
FC-50-69-36-1854(6)	50"	69"	36"	18 x 54	6"
FC-54-74-20-1550(6)	54"	74"	20"	15 x 50	6"
FC-54-74-20-1560(6)	54"	74"	20"	15 x 60	6"
FC-54-74-20-2060(6)	54"	74"	20"	20 x 60	6"
FC-62-92-36-2080(6)	62"	92"	36"	20 x 80	6"
FC-62-92-36-2480(6)	62"	92"	36"	24 x 80	6"
FC-63-105-36-1777(7)	63"	105"	36"	17 x 77	7"
FC-63-105-36-2386(7)	63"	105"	36"	23 x 86	7"
FC-65-65-20-1537(6)	65"	65"	20"	15 x 37	6"
FC-65-65-20-1550(6)	65"	65"	20"	15 x 50	6"
FC-65-65-20-1850(6)	65"	65"	20"	18 x 50	6"
FC-65-74-20-1550(9)	65"	74"	20"	15 x 50	9"
FC-65-74-20-1560(9)	65"	74"	20"	15 x 60	9"
FC-65-74-20-1648(6)	65"	74"	20"	16 x 48	6"
FC-65-74-20-2060(6)	65"	74"	20"	20 x 60	6"
FC-65-74-20-2462(6)	65"	74"	20"	24 x 62	6"
FC-65-74-36-1452(10)	65"	74"	36"	14 x 52	10"
FC-65-74-36-1550(9)	65"	74"	36"	15 x 50	9"
FC-65-74-36-1560(9)	65"	74"	36"	15 x 60	9"

BOX PADS

Transformer Box Pads



BOX PADS

TRANSFORMER BOX PADS	LENGTH "L"	WIDTH "W"	HEIGHT "H"	OPENING "LL x WW"	OFFSET "X"
FC-65-74-36-1636(8-7)	65"	74"	36"	16 X 36	8"-7"
FC-65-74-36-2060(6)	65"	74"	36"	20 x 60	6"
FC-65-74-36-2462(6)	65"	74"	36"	24 x 62	6"
FC-65-86-20-1564(6)	65"	86"	20"	15 x 64	6"
FC-65-86-20-2062(6)	65"	86"	20"	20 x 62	6"
FC-65-86-20-2472(6)	65"	86"	20"	24 x 72	6"
FC-65-86-36-1564(9)	65"	86"	36"	16 x 64	9"
FC-65-86-36-2068(6)	65"	86"	36"	20 x 68	6"
FC-65-86-36-1573(11)	65"	86"	36"	15 x 73	11"
FC-65-86-36-2472(6)	65"	86"	36"	24 x 72	6"
FC-65-112-36-1580(8)	65"	112"	36"	15 x 80	8"
FC-65-112-36-2390(6)	65"	112"	36"	23 x 90	6"
FC-69-83-36-1868(6)	69"	83"	36"	18 x 68	6"
FC-69-83-36-1868(9)	69"	83"	36"	18 x 68	9"
FC-69-83-36-2062(6)	69"	83"	36"	20 x 62	6"
FC-69-83-36-2071(6)	69"	83"	36"	20 x 71	6"
FC-69-83-36-2468(6)	69"	83"	36"	24 x 68	6"
FC-69-106-20-1276(11)	69"	106"	20"	12 x 76	11"
FC-69-106-20-1576(8)	69"	106"	20"	15 x 76	8"
FC-69-106-20-2086(6)	69"	106"	20"	20 x 86	6"
FC-69-117-36-1368(11)	69"	117"	36"	13 x 68	11"
FC-69-117-36-1580(8)	69"	117"	36"	15 x 80	8"
FC-69-117-36-2390(6)	69"	117"	36"	23 x 90	6"
FC-70-70-36-2354(8)	70"	70"	36"	23 x 54	8"
FC-70-70-36-2458(6)	70"	70"	36"	24 x 58	6"
FC-70-80-20-1554(7)	70"	80"	20"	15 x 54	7"
FC-70-80-20-1568(6)	70"	80"	20"	15 x 68	6"
FC-70-80-20-2068(6)	70"	80"	20"	20 X 68	6"
FC-70-80-20-1560(12)	70"	80"	20"	15 x 60	12"
FC-72-96-15-4918(29)	72"	96"	15"	18 x 49	29"
FC-72-96-15-5016(31)	72"	96"	15"	16 x 50	31"
FC-72-96-15-6020(28)	72"	96"	15"	20 x 60	28"
FC-73-79-6-1560(12)	73"	79"	6"	15 x 60	12"
FC-73-79-6-2062(6)	73"	79"	6"	20 x 62	6"
FC-76-76-20-1860(7)	76"	76"	20"	18 x 60	7"
FC-76-76-20-2062(6)	76"	76"	20"	20 X 62	6"
FC-76-76-20-2564(6)	76"	76"	20"	25 x 64	6"
FC-76-76-36-1860(7)	76"	76"	36"	18 x 60	7"
FC-76-76-36-2062(6)	76"	76"	36"	20 x 62	6"
FC-76-76-36-2558(6)	76"	76"	36"	25 x 58	6"
FC-76-76-36-2564(6)	76"	76"	36"	25 x 64	6"
FC-76-86-36-1860(11)	76"	86"	36"	18 x 60	11"
FC-76-86-36-2062(7)	76"	86"	36"	20 x 62	7"
FC-76-86-36-2068(8)	76"	86"	36"	20 x 68	8"
FC-76-86-36-2472(6)	76"	86"	36"	24 x 72	6"
FC-79-79-6-2054(14)	79"	79"	6"	20 x 54	14"
FC-79-79-6-2458(9)	79"	79"	6"	24 x 58	9"
FC-79-79-6-3064(6)	79"	79"	6"	30 x 64	6"

TRANSFORMER BOX PADS	LENGTH "L"	WIDTH "W"	HEIGHT "H"	OPENING "LL x WW"	OFFSET "X"
FC-69-83-36-1868(6)	69"	83"	36"	18 x 68	6"
FC-69-83-36-1868(9)	69"	83"	36"	18 x 68	9"
FC-69-83-36-2062(6)	69"	83"	36"	20 x 62	6"
FC-69-83-36-2071(6)	69"	83"	36"	20 x 71	6"
FC-69-83-36-2468(6)	69"	83"	36"	24 x 68	6"
FC-69-106-20-1276(11)	69"	106"	20"	12 x 76	11"
FC-69-106-20-1576(8)	69"	106"	20"	15 x 76	8"
FC-69-106-20-2086(6)	69"	106"	20"	20 x 86	6"
FC-69-117-36-1368(11)	69"	117"	36"	13 x 68	11"
FC-69-117-36-1580(8)	69"	117"	36"	15 x 80	8"
FC-69-117-36-2390(6)	69"	117"	36"	23 x 90	6"
FC-70-70-36-2354(8)	70"	70"	36"	23 x 54	8"
FC-70-70-36-2458(6)	70"	70"	36"	24 x 58	6"
FC-70-80-20-1554(7)	70"	80"	20"	15 x 54	7"
FC-70-80-20-1568(6)	70"	80"	20"	15 x 68	6"
FC-70-80-20-2068(6)	70"	80"	20"	20 X 68	6"
FC-70-80-20-1560(12)	70"	80"	20"	15 x 60	12"
FC-72-96-15-4918(29)	72"	96"	15"	18 x 49	29"
FC-72-96-15-5016(31)	72"	96"	15"	16 x 50	31"
FC-72-96-15-6020(28)	72"	96"	15"	20 x 60	28"
FC-73-79-6-1560(12)	73"	79"	6"	15 x 60	12"
FC-73-79-6-2062(6)	73"	79"	6"	20 x 62	6"
FC-76-76-20-1860(7)	76"	76"	20"	18 x 60	7"
FC-76-76-20-2062(6)	76"	76"	20"	20 X 62	6"
FC-76-76-20-2564(6)	76"	76"	20"	25 x 64	6"
FC-76-76-36-1860(7)	76"	76"	36"	18 x 60	7"
FC-76-76-36-2062(6)	76"	76"	36"	20 x 62	6"
FC-76-76-36-2558(6)	76"	76"	36"	25 x 58	6"
FC-76-76-36-2564(6)	76"	76"	36"	25 x 64	6"
FC-76-86-36-1860(11)	76"	86"	36"	18 x 60	11"
FC-76-86-36-2062(7)	76"	86"	36"	20 x 62	7"
FC-76-86-36-2068(8)	76"	86"	36"	20 x 68	8"
FC-76-86-36-2472(6)	76"	86"	36"	24 x 72	6"
FC-79-79-6-2054(14)	79"	79"	6"	20 x 54	14"
FC-79-79-6-2458(9)	79"	79"	6"	24 x 58	9"
FC-79-79-6-3064(6)	79"	79"	6"	30 x 64	6"

Fibercrete® Box Pads

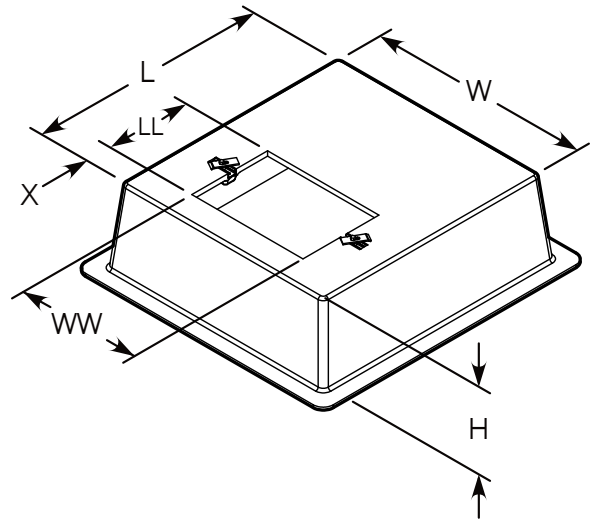


Transformer Box Pads

TRANSFORMER BOX PADS	LENGTH "L"	WIDTH "W"	HEIGHT "H"	OPENING "LL x WW"	OFFSET "X"
FC-80-120-36-2080(6)	80"	120"	36"	20 X 80	6
FC-83-89-20-6220(7)	83"	89"	20"	20 X 62	7"
FC-83-89-20-6420(6)	83"	89"	20"	20 x 64	6"
FC-83-89-20-6826(6)	83"	89"	20"	26 x 68	6"
FC-83-106-36-1864(6)	83"	106"	36"	18 X 64	6"
FC-83-106-36-3480(6)	83"	106"	36"	34 X 80	6"
FC-85-122-20-6220(7)	122"	85"	20"	20 x 62	7"
FC-85-122-20-6826(8)	122"	85"	20"	26 x 68	8"
FC-85-122-20-7521(6)	122"	85"	20"	21 x 75	6"
FC-86-86-36-1860(12)	86"	86"	36"	18 x 60	12"
FC-86-86-36-2062(8)	86"	86"	36"	20 X 62	8"
FC-86-86-36-2868(8)	86"	86"	36"	28 x 68	8"
FC-86-98-20-2066(12)	86"	98"	20"	20 x 66	12"
FC-86-98-20-2884(7)	86"	98"	20"	28 x 84	7"
FC-86-98-20-3480(6)	86"	98"	20"	34 X 80	6"
FC-86-98-36-1864(9)	86"	98"	36"	18 x 64	9"
FC-86-98-36-2570(10)	86"	98"	36"	25 x 70	10"
FC-86-98-36-3480(6)	86"	98"	36"	34 x 80	6"
FC-102-102-8-1862(7)	102"	102"	8"	18 x 62	7"
FC-102-102-8-2680(7)	102"	102"	8"	26 x 80	7"

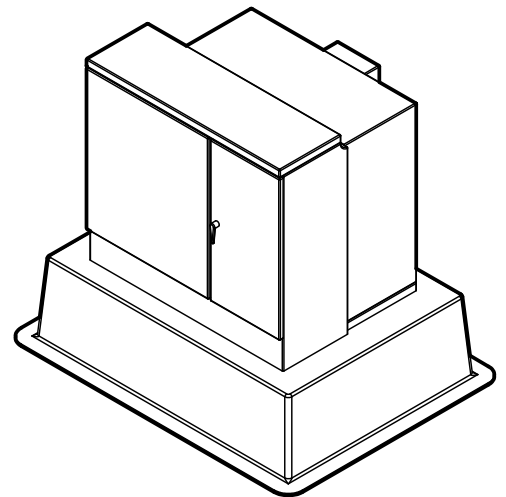
Concast has an [online form](#) to help with the selection process

Other sizes and custom openings are available upon request.



BOX PADS

Three phase transformer box pads have internal reinforcing walls to support heavy weights.



You can access PDF drawings of all of transformer box pads online on their [transformer page](#), and also on their [gang box pad page](#).

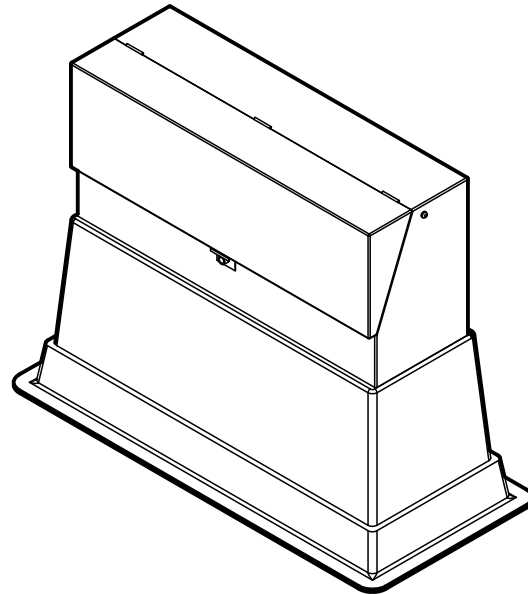
Sectionalizer & Gang Box Pads



BOX PADS

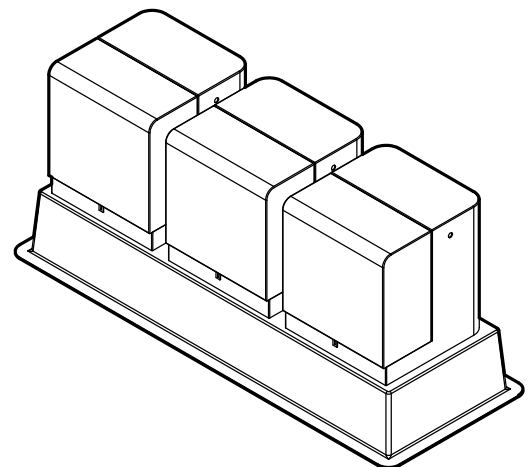
SECTIONALIZER BOX PADS	LENGTH "L"	WIDTH "W"	HEIGHT "H"	OPENING "LL x WW"
FC-18-24-12-1218	18"	24"	12"	12 x 18
FC-18-32-12-0522	18"	32"	12"	5 x 22
FC-18-32-12-1226	18"	32"	12"	12 x 26
FC-18-65-20-0653	18"	65"	20"	6 x 53
FC-18-65-20-1360	18"	65"	20"	13 x 60
FC-20-33-15-0922	20"	33"	15"	8.5 x 21.5
FC-20-52-20-1042	20"	52"	20"	10 x 42
FC-23-31-20-1826	23"	31"	20"	18 x 26
FC-23-51-20-1139	23"	51"	20"	11 x 39
FC-23-37-32-1832	23"	37"	32"	18 x 32
FC-23-67-20-1862	23"	67"	20"	18 x 62
FC-23-67-32-1862	23"	67"	32"	18 x 62
FC-23-69-20-1157	23"	69"	20"	11 x 57
FC-23-69-36-1157	23"	69"	36"	11 x 57
FC-23-85-32-1880	23"	85"	32"	18 x 80
FC-28-85-36-1673	28"	85"	36"	16 x 73
FC-32-85-32-2780	32"	85"	32"	27 x 80
FC-32-85-36-2378	36"	85"	36"	23 x 78
FC-36-52-18-2440	52"	36"	18"	40 x 24
FC-40-74-15-2862	40"	74"	18"	28 x 62
FC-42-85-32-3578	42"	85"	32"	35 x 78
FC-42-121-32-35114	42"	121"	32"	35 x 114
FC-43-69-20-3157	43"	69"	20"	31 X 57

SECTIONALIZER BOX PADS



GANG INSTALLATION MULTIPLE OPENING TRANSFORMER BOX PADS

MULTI-OPENING TRANSFORMER BOX PADS	LENGTH "L"	WIDTH "W"	HEIGHT "H"	NUMBER OF OPENINGS	OPENING "LL x WW"	OFFSET "X"
FC-40-74-15-2-2826	40"	74"	15"	2	28 x 26	6"
FC-42-82-12-2-2224	82"	42"	12"	2	24 x 22	5"
FC-42-132-20-3-1616	42"	132"	20"	3	16 x 16	6"
FC-44-111-36-3-1122	44"	111"	36"	3	11 x 22	7"
FC-54-140-36-3-1524	54"	140"	36"	3	15 x 24	7"



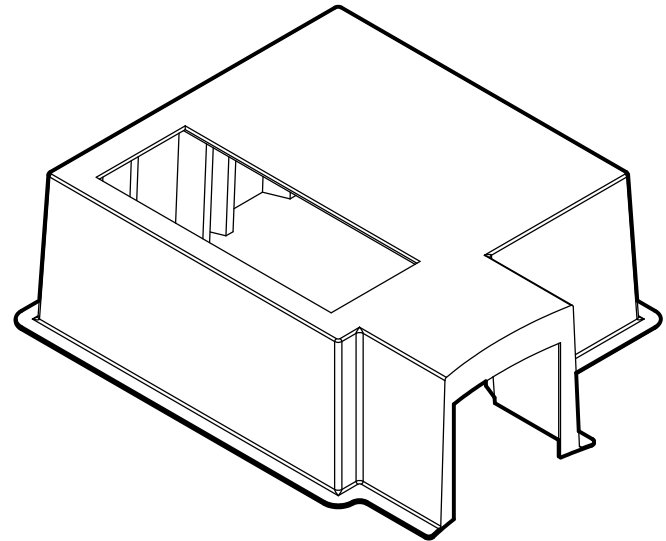
Fibercrete® Box Pads



Wind Farm Integrated Tunnel Box Pads

(INTEGRATED TUNNEL) IT BOX PADS	"L" LENGTH	"W" WIDTH	"H" HEIGHT
FC-70-88-36-IT-LLWW(X)	70"	88"	36"
FC-70-88-48-IT-LLWW(X)	70"	88"	48"
FC-82-82-36-IT-LLWW(X)	82"	82"	36"
FC-82-82-48-IT-LLWW(X)	82"	82"	48"
FC-86-86-36-IT-LLWW(X)	86"	86"	36"
FC-86-98-36-IT-LLWW(X)	86"	98"	36"
FC-86-104-36-IT-LLWW(X)	86"	104"	36"
FC-90-90-36-IT-LLWW(X)	90"	90"	36"
FC-90-90-48-IT-LLWW(X)	90"	90"	48"
FC-95-95-36-IT-LLWW(X)	95"	95"	36"

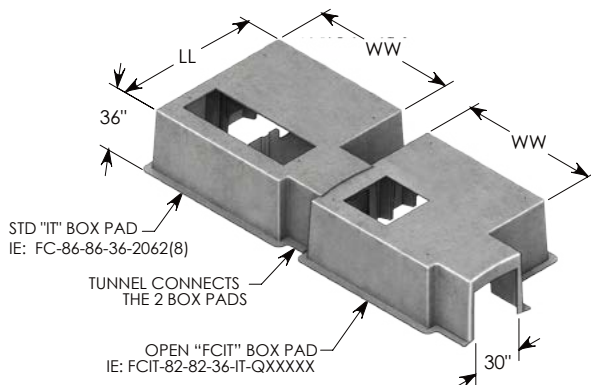
IT (INTEGRATED TUNNEL) BOX PADS



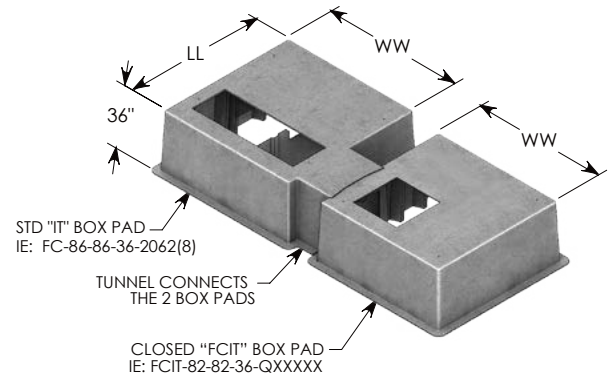
BOX PADS

- IT box pads are built for transformer or switchgear installations at wind turbine foundations.
- The tunnel design provides a direct path for below grade cable to transition from the turbine foundation to the transformer.
- Provides ample space in the basement for cable training and termination.
- Custom conduit knockouts (KO) are available in all Concast box pads.
- Due to possible changes in equipment specifications, please verify the outside dimensions of your electrical equipment to be supported prior to ordering.
- Box pad is suitable for seismic areas. Calculations are available upon request.
- PDF drawing files available online at [Concast's IT box pad page](#)

STANDARD PLUS OPEN MODULAR IT BOX PAD



STANDARD PLUS CLOSED MODULAR IT BOX PAD



- IT box pads are built to support multiple pieces of electrical equipment
- The tunnel design connects the two boxes.
- At time of order, Concast must receive your equipment footprint drawings to ensure proper size & opening location.
- PDF drawing files available online at [Concast's Modular IT box pad page](#)

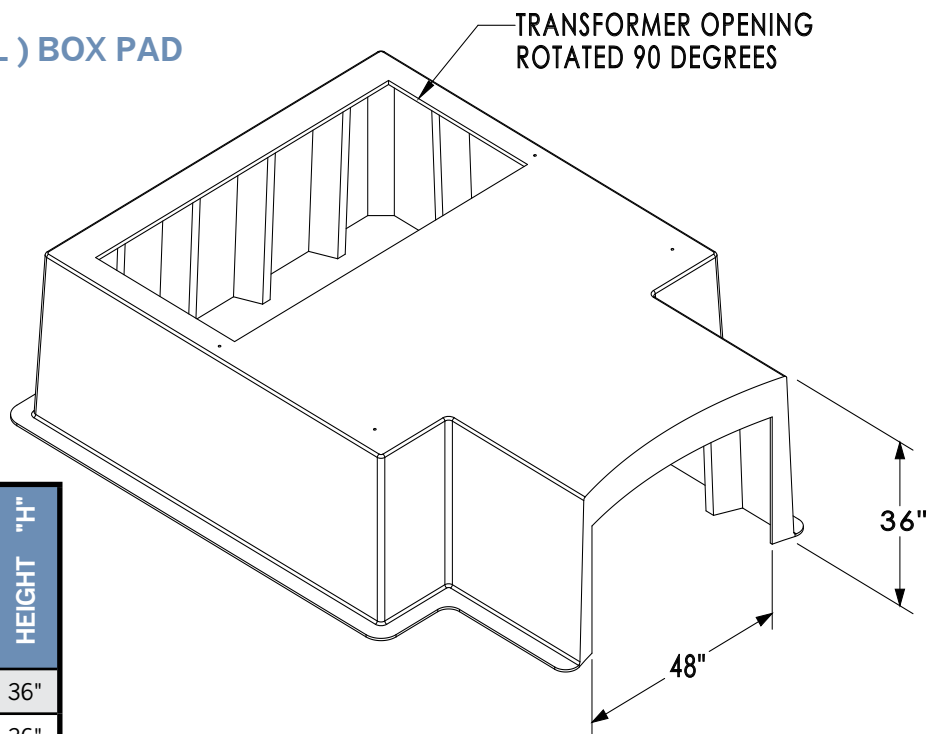
Fibercrete® Box Pads



Wind Turbine FIT/MS Boxes

BOX PADS

FIT (FULL INTEGRATED TUNNEL) BOX PAD

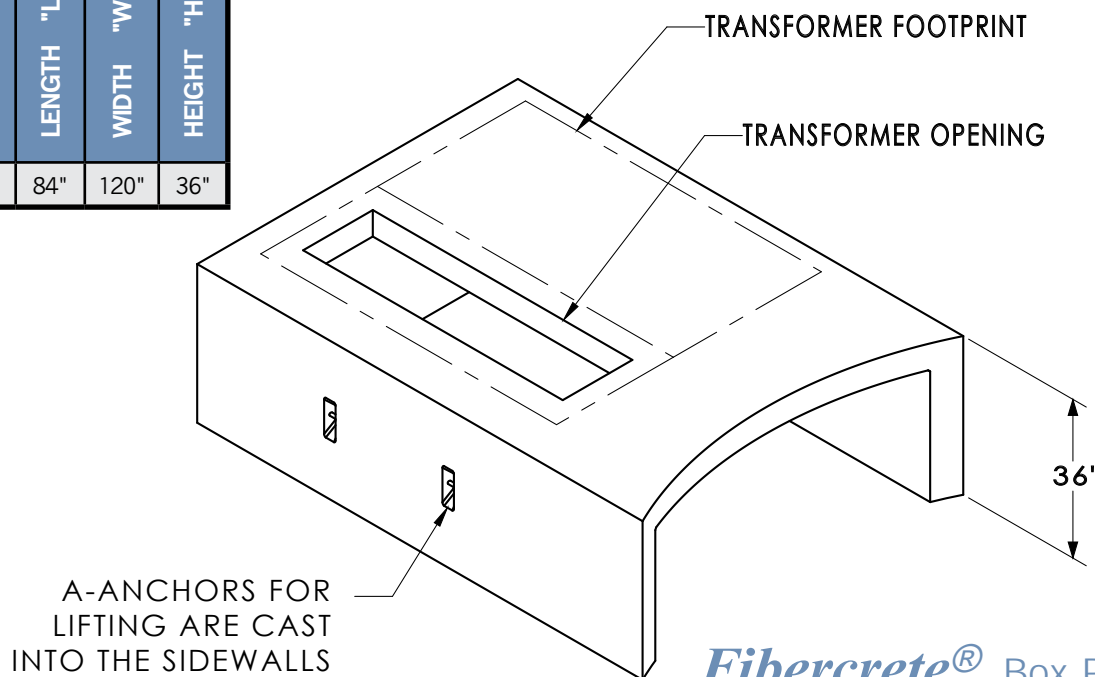


FULLY INTEGRATED TUNNEL FIT BOX PADS	LENGTH "L"	WIDTH "W"	HEIGHT "H"
FC-90-90-36-FIT-LLWW(X)	90"	90"	36"
FC-95-95-36-FIT-LLWW(X)	95"	95"	36"

- Both box pad styles accommodates larger cable spacing requirements for conduit leaving the wind turbine base
- PDF drawing files available online at [Concast's FIT/MS box pad page](#)

MS (MATING SIDE) BOX PAD

MATING SURFACE MS CONCRETE BOX PADS	LENGTH "L"	WIDTH "W"	HEIGHT "H"
PB-84-120-36-MS-LLWW(X)	84"	120"	36"



Fibercrete® Box Pads



Switchgear Box Pads

SWITCHGEAR BOX PADS	LENGTH "L"	WIDTH "W"	HEIGHT "H"	CENTERED OPENING "LL x WW"
FC-38-43-36-2631	43"	38"	36"	26 x 62
FC-39-75-36-2662	39"	75"	36"	26 x 62
FC-40-44-32-2832	40"	44"	32"	32 x 28
FC-40-51-36-2839	40"	51"	36"	28 x 39
FC-40-54-36-2943	40"	54"	36"	29 x 43
FC-40-56-36-2844	40"	56"	36"	28 x 44
FC-46-46-32-3434	46"	46"	32"	34 x 34
FC-48-48-30-3636	48"	48"	30"	36 x 36
FC-49-69-36-3757	69"	49"	36"	57 x 37
FC-50-50-36-3838	50"	50"	36"	38 x 38
FC-50-54-20-3637C	50"	54"	20"	36 X 37
FC-50-54-20-3842	50"	54"	20"	38 X 42
FC-50-69-20-3857	50"	69"	20"	38 x 57
FC-50-69-36-3857	50"	69"	36"	38 x 57
FC-53-80-20-4168	53"	80"	20"	41 X 68
FC-54-69-36-4257	54"	69"	36"	42 x 57
FC-54-74-20-4262	54"	74"	20"	42 x 62
FC-54-80-36-4268	54"	80"	36"	42 x 68
FC-56-56-20-4444	56"	56"	20"	44 x 44
FC-62-92-36-5080	62"	92"	36"	50 x 80
FC-62-92-36-4470C	62"	92"	36"	44 x 70
FC-63-69-20-5157	69"	63"	20"	57 x 51
FC-63-69-36-5157	63"	69"	36"	51 x 57
FC-63-69-48-5157	69"	63"	48"	57 x 51
FC-63-105-36-5193	63"	105"	36"	51 X 93
FC-65-65-20-5353	65"	65"	20"	53 x 53
FC-65-74-20-5362	65"	74"	20"	53 x 62
FC-65-74-36-5362	65"	74"	36"	53 x 62
FC-65-86-20-5374	65"	86"	20"	53 x 74
FC-65-86-36-5374	65"	86"	36"	53 x 74
FC-65-112-36-53100	65"	112"	36"	53 x 100
FC-66-240-20-54228	66"	240"	20"	54 x 228
FC-69-79-20-5767	69"	79"	20"	57 x 67
FC-69-79-36-5767	69"	79"	36"	57 x 67

SWITCHGEAR BOX PADS	LENGTH "L"	WIDTH "W"	HEIGHT "H"	CENTERED OPENING "LL x WW"
FC-69-83-36-5771	69"	83"	36"	57 x 71
FC-69-106-36-5794	69"	106"	36"	57 x 94
FC-69-117-36-57105	69"	117"	36"	57 x 105
FC-70-70-36-5858	70"	70"	36"	58 x 58
FC-70-80-20-5868	70"	80"	20"	58 x 68
FC-72-96-15-6084	96"	72"	15"	84 x 60
FC-73-79-6-6167	73"	79"	6"	61 x 67
FC-74-76-20-5157C	76"	74"	20"	51 x 51
FC-74-76-20-5258C	76"	74"	20"	57.5 x 51.5
FC-74-76-20-6264	76"	74"	20"	64 x 62
FC-74-76-36-5157C	74"	76"	36"	51 x 57
FC-74-76-36-6264	74"	76"	36"	62 x 64
FC-74-76-48-6264	74"	76"	48"	62 x 64
FC-74-102-36-6290	74"	102"	36"	62 x 90
FC-76-76-20-6464	76"	76"	20"	64 x 64
FC-76-76-36-6464	76"	76"	36"	64 x 64
FC-76-86-36-6474	76"	86"	36"	64 x 74
FC-76-86-48-6474	76"	86"	48"	64 x 74
FC-76-88-36-6274	76"	88"	36"	62 x 74
FC-76-95-36-6477C	76"	95"	36"	64 x 77
FC-79-79-6-6767	79"	79"	6"	67 x 67
FC-80-86-20-6874	80"	86"	36"	68 x 74
FC-80-86-36-6874	80"	86"	36"	68 x 74
FC-80-120-36-68108	80"	120"	36"	68 X 108"
FC-83-89-20-7177	89"	83"	20"	77 x 71
FC-85-90-20-7378	85"	90"	20"	73 x 78
FC-85-90-36-7378	85"	90"	36"	73 x 78
FC-85-122-20-73110	122"	85"	20"	110 x 73
FC-86-86-36-7474	86"	86"	36"	74 x 74
FC-86-98-20-7486	86"	98"	20"	74 x 86
FC-86-98-36-7486	86"	98"	36"	74 x 86
FC-102-102-8-9090	102"	102"	8"	90 x 90

BOX PADS

PDF format drawings for mark-up and reference are [available online](#).



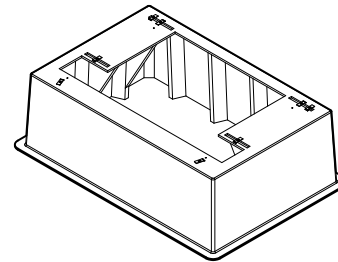
BOX PADS

VISTA MODEL NO.	KA RATING	VISTA SWITCHGEAR DIMENSIONS	BOX PAD
15.5 KV			
2XX	12.5 R1	39 X 61	FC-49-69-36-V or FC-69-83-36-V2**
	12.5 R0	39 X 61	FC-49-69-36-V or FC-69-83-36-V2**
	25	65 X 79	FC-69-83-36-V
3XX	12.5 R1	61 X 72	FC-69-83-36-V
	12.5 R0	61 X 72	FC-69-83-36-V
	25	65 X 79	FC-69-83-36-V
4XX	12.5 R1	61 X 72	FC-69-83-36-V
	12.5 R0	61 X 72	FC-69-83-36-V
	25	65 X 79	FC-69-83-36-V
5XX	12.5 R1	61 X 102	FC-69-106-20-V FC-69-106-36-V
	12.5 R0	61 X 102	FC-69-106-20-V FC-69-106-36-V
	25	65 X 102	FC-69-106-20-V FC-69-106-36-V
6XX	12.5 R1	61 X 102	FC-69-106-20-V FC-69-106-36-V
	12.5 R0	61 X 102	FC-69-106-20-V FC-69-106-36-V
	25	65 X 102	FC-69-106-20-V FC-69-106-36-V
29 KV			
2XX	12.5	39 X 61	FC-49-69-36-V or FC-69-83-36-V2**
	25	65 X 79	FC-69-83-36-V
3XX	12.5	65 X 72	FC-69-83-36-V
	25	65 X 79	FC-69-83-36-V
4XX	12.5	65 X 72	FC-69-83-36-V
	25	65 X 79	FC-69-83-36-V
5XX	12.5	65 X 102	FC-69-106-20-V FC-69-106-36-V
	25	65 x 113	FC-69-117-36-V
6XX	12.5	65 X 102	FC-69-106-20-V FC-69-106-36-V
	25	65 x 113	FC-69-117-36-V

S&C Manual Vista



Vista Manual URD Box Pads



VISTA MODEL NO.	KA RATING	VISTA SWITCHGEAR DIMENSIONS	BOX PAD
38 KV			
2XX	12.5	44 X 65	FC-49-69-36-V or FC-69-83-36-V2**
	25	65 X 79	FC-69-83-36-V
3XX	12.5	65 X 79	FC-69-83-36-V
	25	65 X 79	FC-69-83-36-V
4XX	12.5	65 X 79	FC-69-83-36-V
	25	65 X 79	FC-69-83-36-V
5XX	12.5	65 X 113	FC-69-117-36-V
	25	65 x 113	FC-69-117-36-V
6XX	12.5	65 X 113	FC-69-117-36-V
	25	65 x 113	FC-69-117-36-V

- Typical installations include embedded unistrut and clamp configurations in the top surface for mounting the cabinet.
- Box pads designed for planned equipment upgrades can utilize our V2 boxes. More details are online under part numbers FC-69-106-20-V2 & FC-69-106-36-V2.
- Due to possible changes in equipment specifications, please verify the outside dimensions of your electrical equipment to be supported prior to ordering.
- Custom conduit knockouts (KO) are available in all Concast box pads.
- Other customization options include clamps, threaded inserts, unistrut, and holes.
- PDF drawing files are [available online](#).



S&C Vista Source Transfer

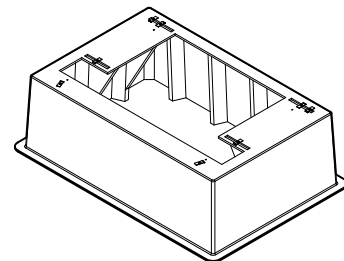
BOX PADS

VISTA MODEL NO.	KA RATING	VISTA SWITCH-GEAR DIMENSIONS	BOX PAD
15.5 KV			
2XX	12.5	39 X 61	FC-49-69-36-V
	25	65 X 79	FC-69-83-36-V
3XX	12.5	61 X 72	FC-69-83-36-V
	25	65 X 72	FC-69-83-36-V
4XX	12.5	61 X 72	FC-69-83-36-V or FC-69-106-20-V2* or FC-69-106-36-V2*
	25	65 X 72	FC-69-83-36-V or FC-69-106-20-V2* or FC-69-106-36-V2*
5XX	12.5	61 X 102	FC-69-106-20-V or FC-69-106-36-V
	25	65 X 102	FC-69-106-20-V or FC-69-106-36-V
6XX	12.5	61 X 102	FC-69-106-20-V or FC-69-106-36-V
	25	61 X 102	FC-69-106-36-V or FC-69-106-36-V
29 KV			
2XX	12.5	39 X 61	FC-49-69-36-V
	25	65 X 79	FC-69-83-36-V
3XX	12.5	65 X 72	FC-69-83-36-V
	25	65 X 79	FC-69-83-36-V
4XX	12.5	65 X 72	FC-69-83-36-V or FC-69-106-20-V2* or FC-69-106-36-V2*
	25	65 X 79	FC-69-83-36-V or FC-69-106-20-V2* or FC-69-106-36-V2*
5XX	12.5	65 X 102	FC-69-106-20-V or FC-69-106-36-V
	25	65 x 113	FC-69-106-36-V
6XX	12.5	65 X 102	FC-69-106-36-V or FC-69-106-36-V
	25	65 x 113	FC-69-117-36-V

VISTA MODEL NO.	KA RATING	VISTA SWITCH-GEAR DIMENSIONS	BOX PAD
38 KV			
2XX	12.5	44 X 65	FC-49-69-36-V
	25	65 X 79	FC-69-83-36-V
3XX	12.5	65 X 79	FC-69-83-36-V
	25	65 X 79	FC-69-83-36-V
4XX	12.5	65 X 79	FC-69-83-36-V or FC-69-106-20-V2* or FC-69-106-36-V2*
	25	65 X 79	FC-69-83-36-V or FC-69-106-20-V2* or FC-69-106-36-V2*
5XX	12.5	65 X 113	FC-69-117-36-V
	25	65 x 113	FC-69-117-36-V
6XX	12.5	65 X 113	FC-69-117-36-V
	25	65 x 113	FC-69-117-36-V



Vista Source-Transfer Box Pads



- Typical installations include embedded Unistrut and clamp configurations in the top surface for mounting the cabinet.
- *Box pads designed for planned equipment upgrades can utilize our V2 boxes. More details are online under part numbers FC-69-106-20-V2 & FC-69-106-36-V2.
- Due to possible changes in equipment specifications, please verify the outside dimensions of your electrical equipment to be supported prior to ordering.
- PDF drawing files are [available online](#).

Fibercrete® Box Pads

S&C Vista Remote Supervisory



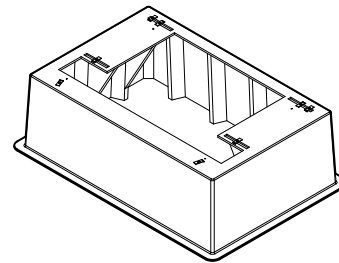
BOX PADS

VISTA MODEL NO.	KA RATING	VISTA SWITCHGEAR DIMENSIONS	BOX PAD
15.5 KV			
2XX	12.5	39 x 61	FC-49-69-36-V or FC-69-83-36-V2*
	25	65 X 79	FC-69-83-36-V
3XX	12.5	61 X 72	FC-69-83-36-V
	25	65 X 72	FC-69-83-36-V
4XX	12.5	61 X 72	FC-69-83-36-V or FC-69-106-20-V2** FC-69-106-36-V*
	25	65 X 72	FC-69-83-36-V or FC-69-106-20-V2** FC-69-106-36-V*
5XX	12.5	61 X 102	FC-69-106-20-V or FC-69-106-36-V
	25	65 X 102	FC-69-106-20-V or FC-69-106-36-V
6XX	12.5	61 x 102	FC-69-106-20-V or FC-69-106-36-V
	25	61 x 102	FC-69-106-20-V or FC-69-106-36-V
29 KV			
2XX	12.5	39 x 61	FC-49-69-36-V or FC-69-83-36-V2*
	25	65 X 79	FC-69-83-36-V
3XX	12.5	65 X 72	FC-69-83-36-V
	25	65 X 79	FC-69-83-36-V
4XX	12.5	65 X 72	FC-69-83-36-V or FC-69-106-20-V2** FC-69-106-36-V2*
	25	65 X 79	FC-69-83-36-V or FC-69-106-20-V2** FC-69-106-36-V2*
5XX	12.5	65 X 102	FC-69-106-20-V or FC-69-106-36-V
	25	65 x 113	FC-69-117-36-V
6XX	12.5	61 x 102	FC-69-106-20-V or FC-69-106-36-V
	25	65 x 113	FC-69-117-36-V

VISTA MODEL NO.	KA RATING	VISTA SWITCHGEAR DIMENSIONS	BOX PAD
38 KV			
2XX	12.5	44 x 65	FC-49-69-36-V or FC-69-83-36-V2*
	25	65 X 79	FC-69-83-36-V
3XX	12.5	65 X 79	FC-69-83-36-V
	25	65 X 72	FC-69-83-36-V
4XX	12.5	65 X 79	FC-69-83-36-V or FC-69-106-20-V2** FC-69-106-36-V2*
	25	65 X 79	FC-69-83-36-V or FC-69-106-20-V2** FC-69-106-36-V2*
5XX	12.5	65 X 113	FC-69-117-36-V
	25	65 X 113	FC-69-117-36-V
6XX	12.5	65 X 113	FC-69-117-36-V
	25	65 X 113	FC-69-117-36-V



Vista Remote Supervisory Box Pads

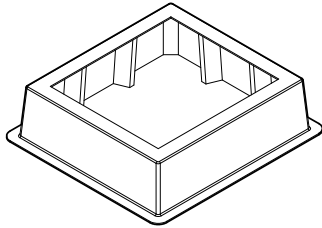


- Typical installations include embedded Unistrut and clamp configurations in the top surface for mounting the cabinet.
- Box pads designed for planned equipment upgrades can utilize our V2 boxes. More details are online under part numbers FC-69-106-20-V2 & FC-69-106-36-V2.
- Due to possible changes in equipment specifications, please verify the outside dimensions of your electrical equipment to be supported prior to ordering.
- Custom conduit knockouts (KO) are available in all Concast box pads.
- Other customization options include clamps, threaded inserts, Unistrut, and holes.

Fibercrete® Box Pads



PME DEADFRONT BOX PADS

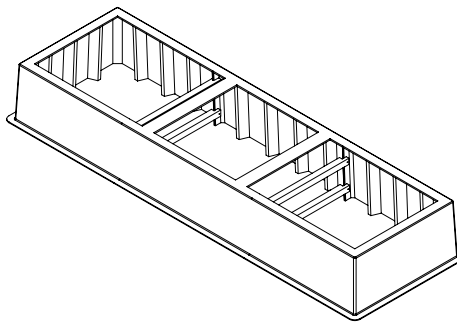


- Due to possible changes in equipment specifications, please verify the outside dimensions of your electrical equipment to be supported prior to ordering.
- Typical installations require field drilling the top surface when mounting the cabinet to the box pad. Toggle nuts from Concast are available to simplify this process.
- Customization options include circular knockouts (KO), clamps, threaded inserts, Unistrut, and holes.
- PDF files are [available online](#).

S&C PME PART NO.	SWITCHGEAR DIMENSIONS	SHALLOW BOX PAD	BOX PAD
14.4 KV			
PME-3	41 x 66.75	FC-43-69-20-3157	FC-49-69-36-3757
PME-4	41 x 52.75	FC-50-54-20-3842	FC-49-69-36-3747C
PME-5	41 x 66.75	FC-43-69-20-3157	FC-49-69-36-3757
PME-6	66.75 x 75	FC-74-76-20-6264	FC-74-76-36-6264 FC-74-76-48-6264
PME-9	66.75 x 75	FC-74-76-20-6264	FC-74-76-36-6264 FC-74-76-48-6264
PME-10	72.75 x 75	FC-74-76-20-6264	FC-74-76-36-6264 FC-74-76-48-6264
PME-11	72.75 x 75	FC-74-76-20-6264	FC-74-76-36-6264 FC-74-76-48-6264
PME-12	66.75 x 75	FC-74-76-20-6264	FC-74-76-36-6264 FC-74-76-48-6264
25 KV			
PME-4	46 x 62.25	FC-50-69-20-3857	FC-49-69-36-3757
PME-5	46 x 81.75	FC-54-86-20-4274	FC-65-86-36-4470C
PME-6	81.75 x 84	FC-85-90-20-7378	FC-85-90-36-7378
PME-9	81.75 x 84	FC-85-90-20-7378	FC-85-90-36-7378
PME-10	84 x 88.25	FC-85-90-20-7378	FC-85-90-36-7378
PME-11	84 x 88.25	FC-85-90-20-7378	FC-85-90-36-7378
PME-12	81.75 x 84	FC-85-90-20-7378	FC-85-90-36-7378

BOX PADS

NO. OF MODULES/ OR BAYS	BOX PAD	BOX PAD DIMENSIONS L x W x H
13.8 KV		
1	FC-49-69-36-PMX	69 x 49 x 36
2	FC-74-102-36-PMX	74 x 102 x 36
3	FC-90-172-36-PMX	90 x 172 x 36
4	FC-90-172-36-PMX2	90 x 172 x 36
5	NA	--
25 KV		
1	FC-53-86-36-PMX	53 x 86 x 36
2	FC-86-98-36-PMX	86 x 98 x 36
3	FC-90-172-36-PMX3	90 x 172 x 36
4	NA	--
5	NA	--



PMX MODULES BOX PADS

- Due to possible changes in equipment specifications, please verify the outside dimensions of your electrical equipment to be supported prior to ordering.
- Each box pad will come with c-clamps for holding down the PMX gear.
- Customization options include circular knockouts (KO), clamps, threaded inserts, Unistrut, and holes.
- PDF drawing files are [available online](#).

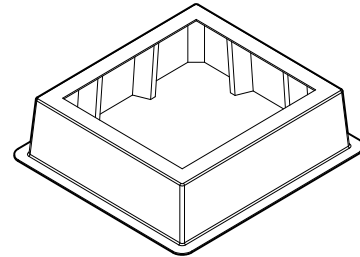
Fibercrete[®] Box Pads



S&C PMH PART NO.	SWITCHGEAR DIMENSIONS	SHALLOW BOX PAD	BOX PAD
14.4 KV			
PMH-3	34.88 x 37.75	FC-37-40-20-2528	FC-38-43-32-2631
PMH-4	34.88 x 37.75	FC-37-40-20-2528	FC-38-43-32-2631
PMH-5	34.88 x 51.75	FC-38-53-20-2641	FC-40-54-36-2943
PMH-6	60.75 x 67	FC-63-69-20-5157	FC-63-69-36-5157 FC-63-69-48-5157
PMH-7	60.75 x 67	FC-63-69-20-5157	FC-63-69-36-5157 FC-63-69-48-5157
PMH-8	60.75 x 67	FC-63-69-20-5157	FC-63-69-36-5157 FC-63-69-48-5157
PMH-9	60.75 x 67	FC-63-69-20-5157	FC-63-69-36-5157 FC-63-69-48-5157
PMH-10	60.75 x 67	FC-63-69-20-5157	FC-63-69-36-5157 FC-63-69-48-5157
PMH-11	60.75 x 67	FC-63-69-20-5157	FC-63-69-36-5157 FC-63-69-48-5157
PMH-12	60.75 x 67	FC-63-69-20-5157	FC-63-69-36-5157 FC-63-69-48-5157
PMH-13	60.75 x 67	FC-63-69-20-5157	FC-63-69-36-5157 FC-63-69-48-5157
PMH-19	60.75 x 67	FC-63-69-20-5157	FC-63-69-36-5157 FC-63-69-48-5157
25 KV			
PMH-3	43 x 56.75	FC-50-69-20-3853C	FC-49-69-36-3747C
PMH-4	43 x 56.75	FC-50-69-20-3853C	FC-49-69-36-3747C
PMH-5	43 x 65.25	FC-50-69-20-3857	FC-49-69-37-3757
PMH-6	76.75 x 82	FC-80-86-20-6874	FC-80-86-36-6874
PMH-7	76.75 x 82	FC-80-86-20-6874	FC-80-86-36-6874
PMH-8	76.75 x 82	FC-80-86-20-6874	FC-80-86-36-6874
PMH-9	76.75 x 82	FC-80-86-20-6874	FC-80-86-36-6874
PMH-10	76.75 x 82	FC-80-86-20-6874	FC-80-86-36-6874
PMH-11	76.75 x 82	FC-80-86-20-6874	FC-80-86-36-6874
PMH-12	76.75 x 82	FC-80-86-20-6874	FC-80-86-36-6874
PMH-13	76.75 x 82	FC-80-86-20-6874	FC-80-86-36-6874



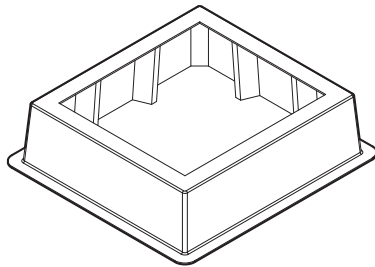
PMH LIVEFRONT BOX PADS



- Due to possible changes in equipment specifications, please verify the outside dimensions of your electrical equipment to be supported prior to ordering.
- Typical installations require field drilling the top surface when mounting the cabinet to the box pad. Toggle nuts from Concast are available to simplify this process.
- Custom conduit knockouts (KO) are available in all Concast box pads.
- Other customization options include clamps, threaded inserts, Unistrut, and holes.
- PDF dwg files are [available online](#).



Vista SD Box Pads



VISTA MODEL NO.	VISTA SWITCHGEAR DIMENSIONS	BOX PAD 20" Tall Box	BOX PAD 36" Tall Box
17.5 KV			
2XX	46 x 51	FC-50-54-20-3842	FC-50-69-36-3854C
3XX	65 x 51	FC-54-74-20-4262	FC-54-69-36-4257
4XX	83 x 51	FC-65-86-20-4474(6)	FC-65-86-36-4470C
5XX	101 x 51	NA	FC-65-112-36-4793C
6XX	120 x 51	NA	FC-54-140-36-42111C
29 KV			
2XX	46 x 51	FC-50-54-20-3842	FC-50-69-36-3854C
3XX	65 x 51	FC-54-74-20-4262	FC-54-69-36-4257
4XX	83 x 51	FC-65-86-20-4474(6)	FC-65-86-36-4470C
5XX	101 x 51	NA	FC-65-112-36-4793C
6XX	120 x 51	NA	FC-54-140-36-42111C

BOX PADS

- Box pads designed to support SD Underground Distribution Padmount Switchgear by S&C Electric Company
- This is a solid dielectric switchgear with a visible open gap and field-replaceable bushings.
- The switchgear with a -P1 or -P2 in their catalog are padmounted units.
- All boxes in the adjacent chart have a large opening in the center of the box.
- Due to possible changes in equipment specifications, please verify the outside dimensions of your electrical equipment to be supported prior to ordering.
- Custom conduit knockouts (KO) are available in all Concast box pads.
- Other customization options include clamps, threaded inserts, unistrut, and holes.
- PDF drawing files are available for download on [Concast's website](#)

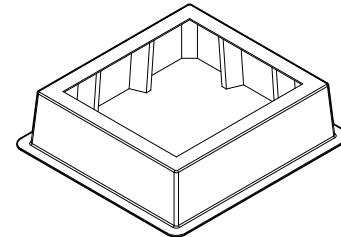


BOX PADS

PSE SWITCHGEAR MODEL NO.	SWITCH-GEAR DIMENSIONS	SHALLOW BOX PAD	DEEP BOX PAD
15 KV			
PSE-3	41 x 69.75	FC-54-74-20-3862C	FC-44-84-36-3266C
PSE-4	41 x 52.75	FC-50-54-20-3842	FC-49-69-36-3747C
PSE-5	41 x 69.75	FC-54-74-20-3862C	FC-44-84-36-3266C
PSE-6	69.75 x 75	FC-74-76-20-6264	FC-74-76-36-6264 FC-74-76-48-6264
PSE-7	69.75 x 75	FC-74-76-20-6264	FC-74-76-36-6264 FC-74-76-48-6264
PSE-8	69.75 x 75	FC-74-76-20-6264	FC-74-76-36-6264 FC-74-76-48-6264
PSE-9	69.75 x 75	FC-74-76-20-6264	FC-74-76-36-6264 FC-74-76-48-6264
PSE-10	72.5 x 75	FC-74-76-20-6264	FC-74-76-36-6264 FC-74-76-48-6264
PSE-11	72.5 x 75	FC-74-76-20-6264	FC-74-76-36-6264 FC-74-76-48-6264
PSE-12	69.75 x 75	FC-74-76-20-6264	FC-74-76-36-6264 FC-74-76-48-6264
PSE-13	72.5 x 75	FC-74-76-20-6264	FC-74-76-36-6264 FC-74-76-48-6264
25 KV			
PSE-3	46 x 81.75	FC-65-86-20-4274(6)	FC-65-86-36-4474C
PSE-4	46 x 79.5	FC-53-80-20-4168	FC-54-80-36-4268
PSE-5	46 x 81.75	FC-65-86-20-4274(6)	FC-65-86-36-4474C
PSE-6	81.75 x 84	FC-85-90-20-7378	FC-85-90-36-7378
PSE-7	81.75 x 84	FC-85-90-20-7378	FC-85-90-36-7378
PSE-8	81.75 x 84	FC-85-90-20-7378	FC-85-90-36-7378
PSE-9	81.75 x 84	FC-85-90-20-7378	FC-85-90-36-7378
PSE-10	81.75 x 84	FC-85-90-20-7378	FC-85-90-36-7378
PSE-11	81.75 x 84	FC-85-90-20-7378	FC-85-90-36-7378
PSE-12	81.75 x 84	FC-85-90-20-7378	FC-85-90-36-7378
PSE-13	81.75 x 84	FC-85-90-20-7378	FC-85-90-36-7378



PSE DEADFRONT PADMOUNT SWITCHGEAR BOX PADS

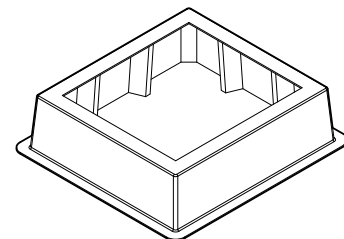


- Due to possible changes in equipment specifications, please verify the outside dimensions of your electrical equipment to be supported prior to ordering.
- Typical installations require field drilling the top surface when mounting the cabinet to the box pad. Toggle nuts from Concast are available to simplify this process.
- Custom conduit knockouts (KO) are available in all Concast box pads.
- Other customization options include clamps, threaded inserts, Unistrut, and holes.
- PDF drawings are [available online](#).

CAPACITOR BANK DIMENSIONS	SHALLOW BOX PAD	DEEP BOX PAD
15.5 KV		
64 x 68	FC-65-74-20-5362	FC-65-74-36-5362



CAPACITOR BANK BOX PADS



Fibercrete[®] Box Pads

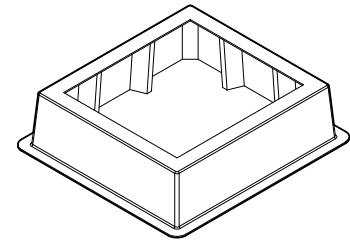


Federal Pacific PSI/II

PSI/II SWITCHGEAR MODEL NO.	SWITCHGEAR DIMENSIONS	SHALLOW BOX PAD	DEEP BOX PAD
15 KV			
PSI/II-3	35.5 x 44.5	FC-39-48-20-2538	FC-40-54-36-2943
PSI/II-4	35.5 x 44.5	FC-39-48-20-2538	FC-40-54-36-2943
PSI/II-5	35.5 x 58.5	FC-43-69-20-3157	FC-49-69-36-3157C
PSI/II-6	58.5 x 67	FC-63-69-20-5157	FC-63-69-36-5157 FC-63-69-48-5157
PSI/II-61	67 x 72	FC-69-79-20-5767	FC-40-54-36-2943
PSI/II-7	58.5 x 67	FC-63-69-20-5157	FC-69-69-36-5157 FC-63-69-48-5157
PSI/II-8	58.5 x 67	FC-63-69-20-5157	FC-63-69-36-5157 FC-63-69-48-5157
PSI/II-9	58.5 x 67	FC-63-69-20-5157	FC-63-69-36-5157 FC-63-69-48-5157
PSI/II-10	58.5 x 67	FC-63-69-20-5157	FC-63-69-36-5157 FC-63-69-48-5157
PSI/II-11	58.5 x 67	FC-63-69-20-5157	FC-63-69-36-5157 FC-63-69-48-5157
PSI/II-12	58.5 x 67	FC-63-69-20-5157	FC-63-69-36-5157 FC-63-69-48-5157
PSI/II-13	58.5 x 67	FC-63-69-20-5157	FC-63-69-36-5157 FC-63-69-48-5157
PSI/II-131	58.5 x 67	FC-63-69-20-5157	FC-63-69-36-5157 FC-63-69-48-5157
PSI/II-14	58.5 x 67	FC-63-69-20-5157	FC-63-69-36-5157 FC-63-69-48-5157
PSI/II-15	58.5 x 67	FC-63-69-20-5157	FC-63-69-36-5157 FC-63-69-48-5157
25 KV			
PSI/II-3	43 x 54.5	FC-50-69-20-3852C	FC-49-69-36-3752C
PSI/II-4	43 x 54.5	FC-50-69-20-3852C	FC-49-69-36-3752C
PSI/II-5	43 x 74.5	FC-53-80-20-4168	FC-44-84-36-3272
PSI/II-6	74.5 x 82	FC-80-86-20-6874	FC-80-86-36-6874
PSI/II-61	82 x 90	FC-85-90-20-7378	FC-85-90-36-7378
PSI/II-7	74.5 x 82	FC-80-86-20-6874	FC-80-86-36-6874
PSI/II-8	74.5 x 82	FC-80-86-20-6874	FC-80-86-36-6874
PSI/II-9	74.5 x 82	FC-80-86-20-6874	FC-80-86-36-6874
PSI/II-10	74.5 x 82	FC-80-86-20-6874	FC-80-86-36-6874
PSI/II-11	74.5 x 82	FC-80-86-20-6874	FC-80-86-36-6874
PSI/II-12	74.5 x 82	FC-80-86-20-6874	FC-80-86-36-6874
PSI/II-13	74.5 x 82	FC-80-86-20-6874	FC-80-86-36-6874
PSI/II-131	74.5 x 82	FC-80-86-20-6874	FC-80-86-36-6874
PSI/II-14	74.5 x 82	FC-80-86-20-6874	FC-80-86-36-6874
PSI/II-15	74.5 x 82	FC-80-86-20-6874	FC-80-86-36-6874



PSI/II LIVEFRONT PADMOUNT SWITCHGEAR BOX PADS



- Due to possible changes in equipment specifications, please verify the outside dimensions of your electrical equipment to be supported prior to ordering.
- Typical installations require field drilling the top surface when mounting the cabinet to the box pad. Toggle nuts from Concast are available to simplify this process.
- Custom conduit knockouts (KO) are available in all Concast box pads.
- Other customization options include clamps, threaded inserts, Unistrut, and holes.
- PDF drawings are [available online](#).

BOX PADS

Fibercrete[®] Box Pads

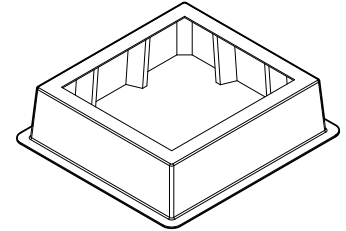


BOX PADS

PLD MODEL NO.	PLD SWITCHGEAR DIMENSIONS	SHALLOW BOX PAD	DEEP BOX PAD
15 KV			
PLD-5	41 x 69.75	FC-54-74-20-4262	FC-44-84-36-3266C
PLD-6	69.75 x 75	FC-74-76-20-6264	FC-74-76-36-6246
PLD-9	69.75 x 75	FC-74-76-20-6264	FC-74-76-36-6246
PLD-11	69.75 x 75	FC-74-76-20-6264	FC-74-76-36-6246



PLD
LIVEFRONT/
DEADFRONT
SWITCHGEAR
BOX PADS

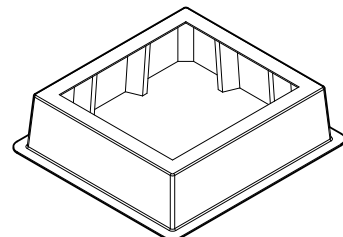


- Due to possible changes in equipment specifications, please verify the outside dimensions of your electrical equipment to be supported prior to ordering.
- Typical installations require field drilling the top surface when mounting the cabinet to the box pad. Toggle nuts from Concast are available to simplify this process.
- Custom conduit knockouts (KO) are available in all Concast box pads.
- Other customization options include clamps, threaded inserts, Unistrut, and holes.
- PDF files are [available online](#).

PMDF MODEL NO.	PMDF SWITCHGEAR DIMENSIONS	SHALLOW BOX PAD	DEEP BOX PAD
15 KV			
PMDF-315-R6-200	54 x 54	FC-56-56-20-4444	FC-54-69-36-4251C
PMDF-315-L9-200	54 x 54	FC-56-56-20-4444	FC-54-69-36-4251C
25 KV			
PMDF-325-R6-200	66 x 66	FC-70-80-20-5858C	FC-70-80-20-5858C
PMDF-325-L9-200	66 x 66	FC-70-80-20-5858C	FC-70-80-20-5858C
35 KV			
PMDF-335-R6-200	66 x 76	FC-69-79-20-5767	FC-69-79-20-5767



PMDF
PRIMARY METERING
PADMOUNT SWITCHGEAR
BOX PADS

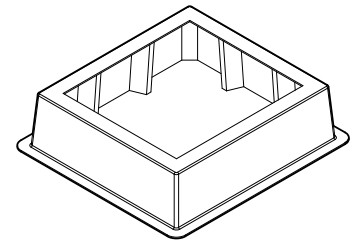




FTDF SWITCHGEAR MODEL NO.	SWITCHGEAR DIMENSIONS	SHALLOW BOX PAD	DEEP BOX PAD
15 KV			
FTDF-115-21CL	30 x 36	FC-38-43-15-2631	FC-38-43-32-2631
FTDF-115-31CL	30 x 36	FC-38-43-15-2631	FC-38-43-32-2631
FTDF-115-32CL	30 x 36	FC-38-43-15-2631	FC-38-43-32-2631
FTDF-115-42CL	30 x 36	FC-38-43-15-2631	FC-38-43-32-2631
FTDF-315-63CL	32 x 36	FC-38-43-15-2631	FC-38-43-32-2631
FTDF-315-93CL	36 x 57	FC-43-69-20-3155C	FC-49-69-36-3152C
FTDF-315-96CL	36 x 57	FC-43-69-20-3155C	FC-49-69-36-3152C
FTDF-315-126CL	36 x 57	FC-43-69-20-3155C	FC-49-69-36-3152C
FTDF-115-21PF	30 x 42	FC-42-48-20-2640C	FC-42-48-32-2640C
FTDF-115-31PF	30 x 42	FC-42-48-20-2640C	FC-42-48-32-2640C
FTDF-115-32PF	42 x 42	FC-45-45-20-3333	FC-45-45-32-3333
FTDF-115-42PF	42 x 42	FC-45-45-20-3333	FC-44-44-32-3232
FTDF-315-63PF	42 x 57	FC-43-69-20-3155C	FC-49-69-36-3152C
FTDF-315-93PF	42 x 57	FC-43-69-20-3155C	FC-49-69-36-3152C
FTDF-315-96PF	42 x 78	FC-53-80-20-3966C	FC-44-84-36-3272
FTDF-315-126PF	42 x 78	FC-53-80-20-3966C	FC-44-84-36-3272
25 KV			
FTDF-125-21CL	30 x 42	FC-42-48-20-2640C	FC-42-48-32-2640C
FTDF-125-31CL	30 x 42	FC-42-48-20-2640C	FC-42-48-32-2640C
FTDF-125-32CL	30 x 42	FC-42-48-20-2640C	FC-42-48-32-2640C
FTDF-125-42CL	30 x 42	FC-42-48-20-2640C	FC-42-48-32-2640C
FTDF-325-63CL	42 x 42	FC-45-45-20-3333	FC-44-44-32-3232
FTDF-325-93CL	42 x 72	FC-53-80-20-3966C	FC-44-84-36-3272
FTDF-325-96CL	42 x 72	FC-53-80-20-3966C	FC-44-84-36-3272
FTDF-325-126CL	42 x 72	FC-53-80-20-3966C	FC-44-84-36-3272
FTDF-125-21PF	36 x 50	FC-38-53-20-2641	FC-44-54-36-2943
FTDF-125-31PF	36 x 50	FC-38-53-20-2641	FC-44-54-36-2943
FTDF-125-32PF	48 x 50	FC-56-56-20-4444	FC-54-56-36-4244
FTDF-125-42PF	48 x 50	FC-56-56-20-4444	FC-54-56-36-4244
FTDF-325-63PF	50 x 72	FC-53-80-20-4168	FC-54-80-36-4268
FTDF-325-93PF	50 x 72	FC-53-80-20-4168	FC-54-80-36-4268
FTDF-325-96PF	50 x 84	FC-54-86-20-4274	FC-65-86-36-4774C
FTDF-325-126PF	50 x 84	FC-54-86-20-4274	FC-65-86-36-4774C



FTDF FUSED SECTIONALIZER PADMOUNT SWITCHGEAR BOX PADS



- Due to possible changes in equipment specifications, please verify the outside dimensions of your electrical equipment to be supported prior to ordering.
- Typical installations require field drilling the top surface when mounting the cabinet to the box pad. Toggle nuts from Concast are available to simplify this process.
- Custom conduit knockouts (KO) are available in all Concast box pads.
- Other customization options include clamps, threaded inserts, Unistrut, and holes.
- PDF dwgs are [available online](#).

BOX PADS

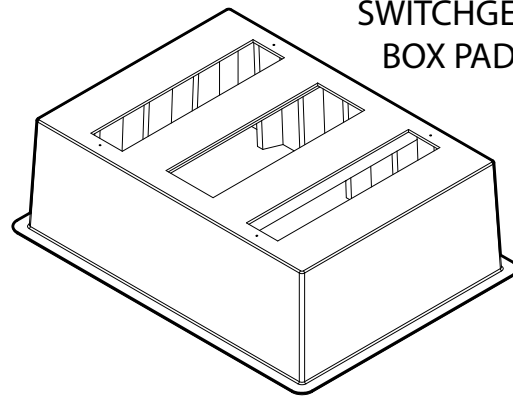


BOX PADS

COOPER BOX PADS	LENGTH	WIDTH	HEIGHT	OPENING SIZES
FC-44-84-36-1860C	44"	84"	36"	18 x 60
FC-44-84-36-2658C	44"	84"	36"	26 X 58
FC-44-84-36-2858C	44"	84"	36"	28 X 58
FC-44-84-36-3258C	44"	84"	36"	32 X 58
FC-44-84-36-3266C	44"	84"	36"	32 X 66
FC-44-84-36-3268C	44"	84"	36"	32 X 68
FC-44-84-36-3272C	44"	84"	36"	32 X 72
FC-74-102-36(33)2-6410	74"	102"	36"	64 x 10
FC-74-102-36(35)2-5811	74"	102"	36"	58 x 11 58 x 18
FC-74-102-36(35)2-6218	74"	102"	36"	62 x 18 58 x 18
FC-74-102-36(35)2-6225	74"	102"	36"	62 x 25 58 x 18
FC-74-102-36(35)5818-5832	74"	102"	36"	58 x 18 58 x 32
FC-74-102-36(38)2-6222	74"	102"	36"	62 x 22 58 x 18
FC-74-102-36(38)6210-6216	74"	102"	36"	62 x 10 58 x 18 62 x 16
FC-74-102-36(38)6216-6222	74"	102"	36"	62 x 16 58 x 18 62 x 22
FC-74-102-36(40)2-6216	74"	102"	36"	62 x 16 58 x 18
FC-74-102-36(40)2-6218	74"	102"	36"	62 x 18 58 x 18
FC-74-102-36(46)2-6216	74"	102"	36"	62 x 16 58 x 18
FC-74-102-36(46)2-6218	74"	102"	36"	62 x 18 58 x 18
FC-74-102-36(46)2-6222	74"	102"	36"	62 x 22 58 x 18
FC-74-102-36(49)2-6218	74"	102"	36"	62 x 18 58 x 18
FC-74-102-36(52)6216-6222	74"	102"	36"	62 x 16 58 x 18 62 x 22

COOPER BOX PADS	LENGTH	WIDTH	HEIGHT	OPENING SIZES
FC-74-102-36(49)2-6218	74"	102"	36"	62 x 18 58 x 18
FC-74-102-36(52)6216-6222	74"	102"	36"	62 x 16 58 x 18 62 x 22
FC-83-106-36(35)2-1894	83"	106"	36"	94 x 18 90 x 16
FC-86-86-36(38)2-1874	86"	86"	36"	74 x 18 58 x 14
FC-86-98-36(40)2-6418	86"	98"	36"	64 x 18.5 58 x 18
FC-86-98-36(49)2-7418	86"	98"	36"	74 x 18.5 58 x 14
FC-105-102-36(46)2198-2698	105"	102"	36"	21 x 98 25 x 96 26 x 98
FC-105-102-36(49)1898-2698	105"	102"	36"	26 x 98 25 x 96 18 x 98
FC-105-112-36(46)2198-2698	105"	112"	36"	21 x 98 25 x 96 26 x 98
FC-105-112-36(49)2-1898	105"	112"	36"	18 x 98 18 x 98

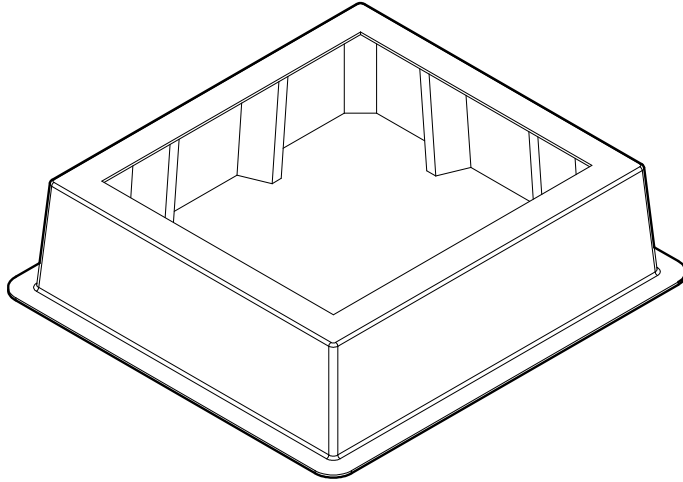
COOPER **VFI**
KYLE
SWITCHGEAR
BOX PADS



When requesting a VFI box pad; besides sending a drawing of the switchgear footprint to Concast, it is extremely helpful if you can designate whether the visible break is a source side only, or if it's on both the source and the tap side. Please provide dimensions for the visible break as well.



Shallbetter & Other Mfgs




SHALLBETTER SWITCHGEAR BOX PADS

BOX PADS

SHALLBETTER MODEL NO.	SHALLOW BOX PAD	DEEP BOX PAD
15 KV		
SPD 6, 7, 9, 12	FC-69-79-20-5767	FC-69-79-36-5767
SPD 10, 11, 13A	FC-74-76-20-6264	FC-74-76-36-6264
SPL 6-19	FC-63-69-20-5157	FC-63-69-36-5157
25 KV		
SPD 6-13A	FC-85-90-20-7378	FC-85-90-36-7378
SPL 6-14	FC-80-86-20-6874	FC-80-86-36-6874

- Concast will work with you to identify the best box pad for your electrical equipment installation project.
- PDF files [available online](#)























by **Schneider Electric**

For a list of Concast, Inc. sales representatives in your area, please visit our website at www.concastinc.com/Sales_Reps/

Fibercrete[®] Box Pads



BOX PADS



BOX PAD MOUNTING CLAMPS

Mounting hardware can be supplied with any box pad upon request. All mounting clamp hardware is standard yellow zinc plated but other finishes are also available.

Hold Down Clamps:

- Concast Part Number: HDC-1 is 4" long
- Concast Part Number: HDC-2 is 5" long
- Requires a 1/2" dia. bolt. Concast recommends part #HHB.5-1
- Used with a drilled hole or a threaded insert.

C-Clamp:

- Concast Part Number: C-CLAMP
- Includes 3/8" dia. bolt.
- No holes or threaded inserts are required.

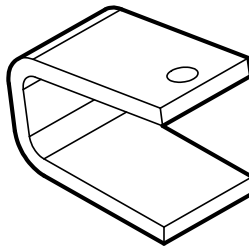
UNISTRUT & CLAMPS



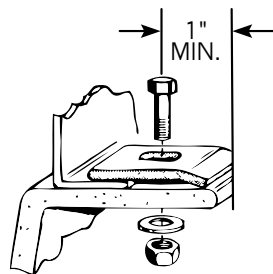
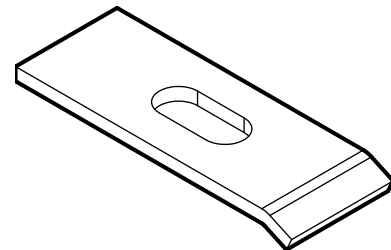
Unistrut is a great way to create an adjustable mounting mechanism. Often supplied with a threaded spring nut (pictured) and hold-down clamp hardware; It is available in several materials including stainless steel, galvanized steel, and fiberglass. These channels can be cast into Concast box pads, and are often standard issue for the smaller box pads.



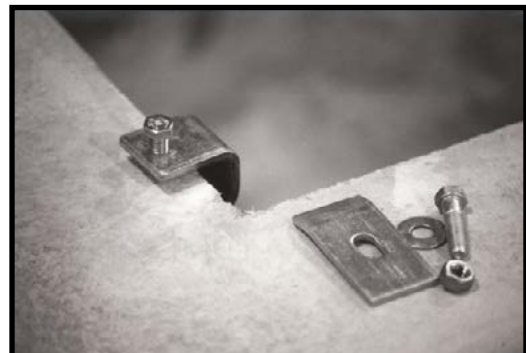
C-CLAMP



HOLD DOWN CLAMP



THE HOLE IS
1 INCH MIN.
FROM THE EDGE





Box Pad Accessories

BOX PADS

SEALANT



Vulkem polyurethane sealant is colored concrete gray and can be ordered under Concast P/N: 8004. It is delivered in tubes and is designed for use on poured and precast concrete surfaces. Vulkem 116 has demonstrated superior primerless adhesion to porous substrates for over 30 years and is the sealant of choice for commercial industrial expansion joints.

PATCH KITS

PK-1 Patch Kit:

- Used for cosmetic repairs.
- Kit is complete with everything you need for small concrete repairs, including patching compound, bucket, and a trowel.

PK-2 Patch Kit:

- Ideal for patching holes in non-structural concrete sections.
- Kit consists of a large Fibercrete® patch sheet (1/2" thick by 12" sq.) which is cut to size, and then a construction adhesive or concrete screws are used to attach the patch over the hole.

PK-36, PK-69, & PK-912 PatchKwik Kits

- Easy to apply, self-adhesive fiberglass patch that is UV light activated. Available in 3 sizes.
- Spray paint can be ordered from Concast in gray or green. Part numbers are PK-Gray & PK-Green respectively.
- More detail [online](#).



[PatchKwik Installation Video](#)
[Patch Kit Link](#)

GUIDE POSTS & SAFETY CHAIN

Guide posts and chain provide protection for your pre-cast flat pads by blocking off vehicular traffic or defining a road way. A hard, yellow plastic exterior ensures that the color will withstand years of environmental exposure like UV rays and heat. The posts are available either hollow, or concrete filled with steel rebar reinforcement. A 3/8-16 UNC threaded insert is located at the top of each post for securing optional safety chain. See [more online](#).



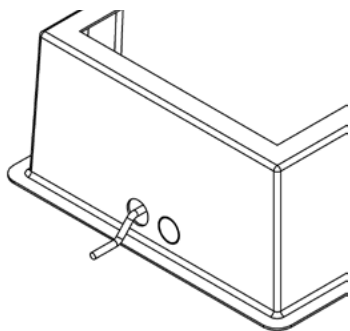
Post, Rope & Chain Part Numbers	Connection Hardware Part Numbers
8005Y-4F	9001G
8005Y-4H	9001SS
8005Y-7F	9001Z
8005Y-7H	9001G-J
8007	9001SS-J
8007Y-3	9001ACC
8007SG	HHB.38-1.5
ROPE-5-BK	WSR.38-1
ROPE-5-YW	8007SG-CL
	ROPE-CLAMP-625
	SHSS
	SHPY-3

Fibercrete® Box Pads



Box Pad Accessories

BOX PADS



HOLES & KNOCKOUTS

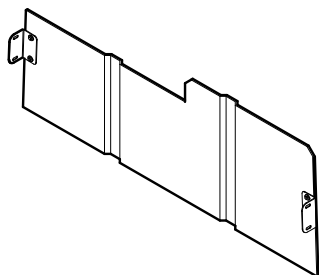
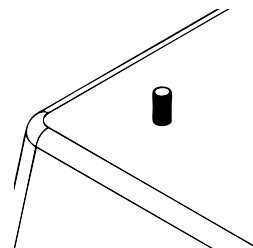
When conduit/cables cannot be routed deeply enough to enter the bottom of the box pad, holes or knockouts can be built into the box pad side wall to allow access. Fibercrete® can also be drilled with any masonry tools. Concast will predrill or void out any required holes or knockouts (KO) upon request.



THREADED INSERTS & THREADED RODS

Concast can embed several different optional threaded products into their precast parts to aid in handling and mounting equipment. UNC threaded inserts are made of a high quality zinc alloy and they come in a variety of sizes including 1/4, 3/8, 1/2, 5/8, & 3/4, and 1 inch. The inserts are not available for individual sale.

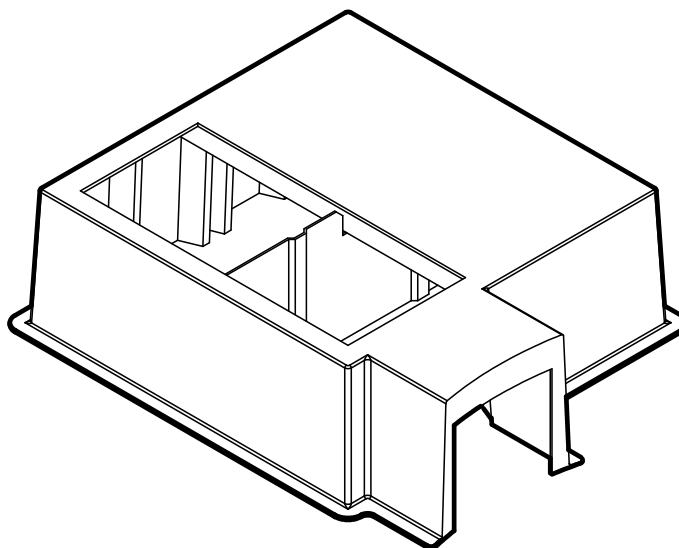
Threaded studs (or rods) are another great precast mounting option from Concast.



BOX PAD DIVIDERS

These fiber-reinforced panels can be used to divide your Concast box pads high, medium, or low voltage sides. The dividers are available for all box pad sizes. Dividers are custom made to fit each box ordered. These come complete with steel hardware for field installation.

When ordering, the part number is assigned according to the box pad that the divider is fitting into. FC-LL-XX-DIV is the basic format with "LL" correlating to the box pad length and "XX" correlating to the box depth.



Fibercrete®



Box Pad Accessories



TOGGLE NUTS

Threaded toggle nuts are yet another way to mount your electrical equipment onto Concast's precast box pads. These nuts are installed onsite; allowing greater mounting flexibility and accuracy. They utilize a simple stabilizing technique similar to drywall anchors.

An installation video is [available online](#)

TOGGLE NUT	NUT THREAD DIAMETER
TN.25	1/4-20 UNC
TN.375	3/8-16 UNC
TN.5	1/2-13 UNC



INSERT PLUGS

Concast casts threaded inserts into many of their heavier box pads that require mechanical assistance to maneuver them. To keep these inserts from filling with debris and water, Concast offers a line of insert plugs. Available in both plastic and in stainless steel.



INSERT PLUG	PLUG FIT DIAMETER	PLUG DESCRIPTION
IPP.375	3/8"	Plastic Plug
IPP.5	1/2"	Plastic Plug
IPB.375	3/8-16 UNC	SS Hex Head Bolt
IPB.5	1/2-13 UNC	SS Hex Head Bolt
IPS.38	3/8"	SS Socket Head Set Screw
IPS.5	1/2"	SS Socket Head Set Screw

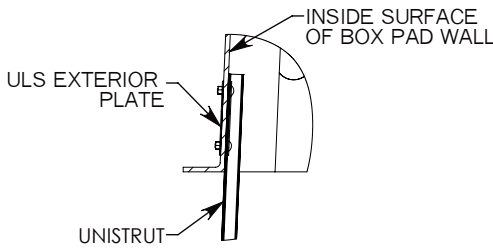


4-WAY LIFT CHAIN

- Concast Part Number: 9003
- Can be used in conjunction with the Swivel Hoist Rings for lifting heavy box pads.
- The 9100 pound maximum rated load is contingent on maintaining a horizontal lift angle that is less than 60 degrees

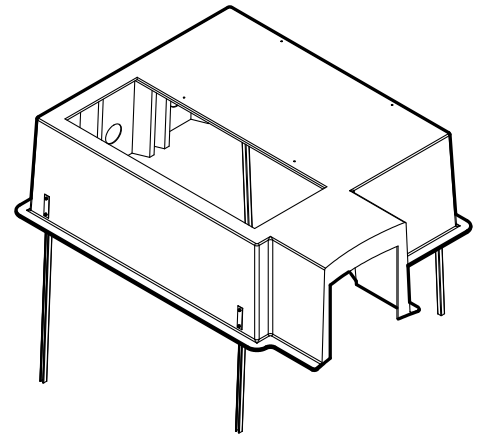


BOX PADS



UNISTRUT LEVELING SYSTEM (ULS)

- Ideal for windfarm installations.
- This leveling system ties the Integrated Tunnel box pad to the wind turbine foundation resulting in optimal stability.
- Process must include pouring a concrete slurry up and around the bottom flange of the box pad.
- ULS kit is ordered under Concast part number: ULS
- Box is leveled using the following included hardware:
 - Unistrut Channels
 - ULS Interior Plates
 - ULS Exterior Plates
 - 1/2" dia. Carriage Bolts
 - 1/2" dia. Hex Head Nuts



SWIVEL HOIST RING



HOIST RING	THREADED ROD DIA.	THREADED ROD LENGTH	RATED LOAD
9002.38	3/8-16 UNC	1 inch	1000 Lbs.
9002	1/2-13 UNC	1.25 inch	2500 Lbs.
9002L	1/2-13 UNC	2 inch	2500 Lbs.
9002.75	3/4-10 UNC	1.5 inch	5000 Lbs.

The forged swivel hoist ring is designed to thread into the cast-in inserts located in Concast's heavier products. Hoist rings are designed for lifting at any angle because they can swivel 360° and pivot 180°, and they meet or exceed the requirements of ASME B30.26. Each hoist ring is 200% proof-load tested with certification by the manufacturer. A nut and washer combination for non-insert applications is also included with the unit assembly. We recommend using our 4-way lifting chain (or equivalent) in conjunction with the hoist ring.





Box Pad Specifications

GENERAL SPECIFICATIONS FOR BOX PADS

1. TECHNICAL SCOPE

- 1-A.** These specifications cover precast Fibercrete® (G.F.R.C.) box pads manufactured by Concast Incorporated in Zumbrota, Minnesota. The manufacturer must have experience in design and fabrication of these products and also the facilities for fabricating them with the quality specified herein and without delay to the agreed upon schedule.
- 1-B.** The box pads shall be designed and constructed to provide a serviceable life and warranty of 35 years when installed outdoors in full sunlight and without any protection from the weather at any location in the continental United States or Canada.
- 1-C.** The Supplier shall design, construct, perform dimensional and quality control tests, and prepare the pads for truck shipment. Shipping and delivery responsibilities will be defined in the project specific purchase documents. The Supplier shall provide all necessary documentation as stated in this specification.
- 1-D.** The box pads provided must be RUS approved " List of Materials Acceptable for Use on Systems of RUS Electrification Borrowers".

2. DIMENSIONS AND DESIGN

- 2-A.** Drawings shall be made available for engineering approval, field installation, and field identification; in PDF, SolidWorks, or AutoCAD format. Standard PDF format component drawings shall also be available online.
- 2-B.** The tolerances of the dimensions of each Fibercrete® box pad shall not exceed +/-1/4". These tolerances apply to the components when ready for shipping, when set on a flat and level surface with no loads applied to it.
- 2-C.** The manufacturer's design dimensions must be approved by the Purchaser prior to fabrication.
- 2-D.** Box pads shall be made available to fit design requirements and dimensions of the equipment being supported.
- 2-E.** Provisions, such as cast-in threaded inserts, must be offered for lifting any pad. Mounting holes must be adequately reinforced to avoid damaging the pad and to provide an ultimate strength of at least 5 times the pad weight when the part is lifted in accordance with the manufacturer's instructions.
- 2-F.** Standard box pads shall be of one piece; constructed with internal support columns extending the entire depth of the box pad to ensure full support of the upper lip of the box pad. When necessary, internal support columns shall also span the width of the box pad beneath the top surface.
- 2-G.** Covers shall be made available by the manufacturer for all size box pads. They can be used in delayed equipment installations to prevent box damage, unwanted litter, and accidental falls.
- 2-H.** The box pad shall have a rigid, flat, and stable top surface.
- 2-I.** The box pad shall be designed and constructed so that it and any related hardware will not trap or hold water when required, and so that it shall be able to withstand repeated freeze and thaw cycles.
- 2-J.** The box pad color shall be a natural concrete gray unless otherwise required and agreed upon.
- 2-K.** The box pad shall have a top surface lip sized to permit secure fastening of equipment all around.
- 2-L.** If required, a molded-in integrated tunnel must be supplied to bridge the gap between the box pad and turbine foundation. This tunnel shall have a clear cross-section to provide a direct path for below grade cable to travel from the turbine footings to the transformer. The end of the tunnel must have a radiused face to match the turbine foundation which ensures a tight fit.
- 2-M.** The box pad shall be designed to support specific equipment and applications.
- 2-N.** If required, the box pad shall have a center divider to completely separate the high and low voltage sides of the box interior. This divider must be non-flammable, and constructed from Fibercrete® or an approved equal.



- 2-O.** The precast components are designed to conform to requirements stated in ASTM C857-07 "Practice for Minimum Structural Design Loading for Underground Precast Concrete Utility Structures, ASTM C858-07 "Specifications for Underground Precast Concrete Utility Structures".

3. PERFORMANCE AND MATERIALS

- 3-A.** All box pads shall be composed of cement mortar reinforced by alkali resistant glass fibers; fabricated via the Concast spray lay-up method which incorporates a minimum of 4 percent volume A.R. glass fibers.
- 3-B.** Cement shall conform to the requirement of ASTM C150 - Type I, II or ASTM C595 - Type IL
- 3-C.** Fine aggregates shall conform to ASTM C33 "Specification for Concrete Aggregates".
- 3-D.** Boxes shall conform to AIA Masterspec Section 03491 for Glass Fiber Reinforced Concrete and quality control procedures per PCI# MNL-130-91.
- 3-E. Mechanical Properties after 28 days of age:**
- 3-E.1** Minimum Compressive Strength of 7500 PSI
- 3-E.2** Flexural Strength of 3200 PSI
- 3-E.3 Shear Strength:** Material shall meet or exceed the following results when tested under ASTM D695-08.
- Peak Load-1,187 lbf
 - Peak Stress-2,125 psi
 - Modulus-391 ksi
- 3-E.4 Strength and Deflection:** Box pads shall meet or exceed the following when tested simulating equipment footprint and show no signs of failure or significant deflection.
- Small Box Pads (sectionalizers, 1 phase transformers) shall withstand 12,000 lbs.
 - Large Box Pads (large switchgear, 3 phase transformers) shall withstand 28,000 lbs
- 3-E.5 Sidewall Loading:** Box Pads shall meet or exceed a sidewall deflection of .037" with 2,000 lbs. applied.
- 3-F. Chemical Resistance:** Material shall show no signs of swelling, crazing, blistering, cracking, deformation, erosion or loss of 25% or more of the initial flexural strength when exposed to the following chemical under normal service conditions.
- 5% Calcium Chloride-CaCl₂
 - 0.1 N Sodium Sulfate-Na₂SO₄
 - 0.1 N Sodium Hydroxide -NaOH
 - 5% Sodium Chloride-NaCl
 - 5% Calcium Hydroxide-Ca(OH)₂
 - Transformer Oil
 - Kerosene
 - HP Cleaning Solution (American Polywater)



Box Pad Specifications

- 3-G.** With equipment installed; the box pad shall be capable of withstanding temperature variations of -40° Fahrenheit to 149° Fahrenheit without cracking, splitting, or otherwise deforming. Material shall be have been tested and conform to ASTM C666/C666M-03
- 3-H.** The box pad must not warp, rust, be UV degradable, or sustain combustion.
- 3-I.** When required, site-specific, PE stamped, seismic calculations shall be provided.
- 3-J.** Concrete properties will vary depending upon the particular formulation of the concrete mix design. Customized properties can be achieved by using nonstandard ingredients, by changing or adding reinforcements, and by tailoring the overall mix design.

3-K. METAL COMPONENT PERFORMANCE

3-K.1 All galvanized steel covers, hardware, and embedments shall meet the following requirements:

- Steel Deck Plating - ASTM A786 | Steel Sheet - A1011 HSLAS Gr 50
- Steel Angles & Flats - ASTM A-36 | Galvanized Covers - ASTM 123
- Galvanized Hardware - ASTM 153

3-K.2 All stainless steel hardware and embedments shall meet the following requirements:

- Stainless Steel Angles & Flats Type 304 - h A276
- Stainless Steel Sheet Type 304 - ASTM A-240

3-K.3 All aluminum covers, hardware, and embedments shall meet the following requirements:

- Aluminum Flats 6061-T6511 - ASTM B221 | Aluminum Sheet Smooth 5052-H32 - ASTM B209
- Aluminum Deck Plating 3003 - ASTM B209 or 6061 - ASTM B632
- Aluminum Angles 6061-T6 - ASTM B308 | Aluminum Channels 6061-T6 - ASTM B308

5. INSTALLATION REQUIREMENTS

- 5-A.** When the bottom of the excavation is soft, or where in the opinion of the soils engineer unsatisfactory foundation conditions exist, the contractor shall over excavate to a depth to ensure a proper foundation as directed by the soils engineer. The excavation can then be brought back up to the prescribed grade with a thoroughly compacted granular material.
- 5-B.** Materials used in the production of the box pad must be alkali resistant in order to be installed into a lean concrete pad. Three to six inches of the pad shall be under the flanges of the box pad. The lean concrete shall have a minimum compressive strength of 3000 psi prior to installation of the transformer.
- 5-C.** All box pad excavations shall be backfilled to restore pre-existing conditions or to the final grade as specified by the owner.
- 5-D.** All backfill material shall be a granular material as required by the soils engineer. Box pads shall be designed to have no limitations of backfill height.
- 5-E.** Installation guidelines shall be made available online.



CONCAST

P.O. Box 69
1010 North Star Drive
Zumbrota, MN 55992-0069

Revised 08/12/2024

