

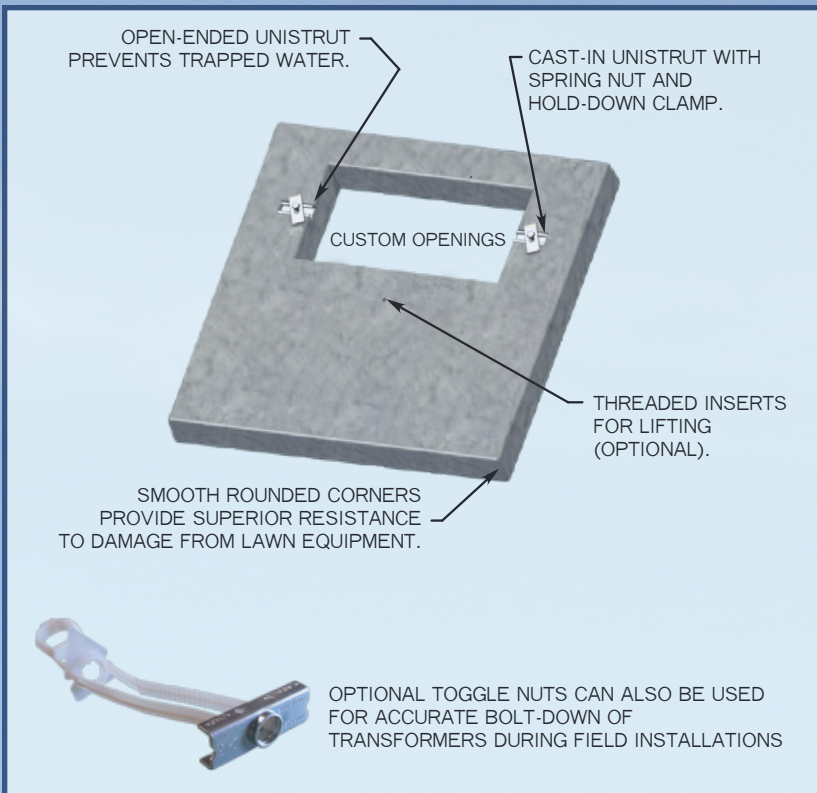
CONCAST

Fibercrete®

PRECISELY ENGINEERED HIGH STRENGTH CONCRETE

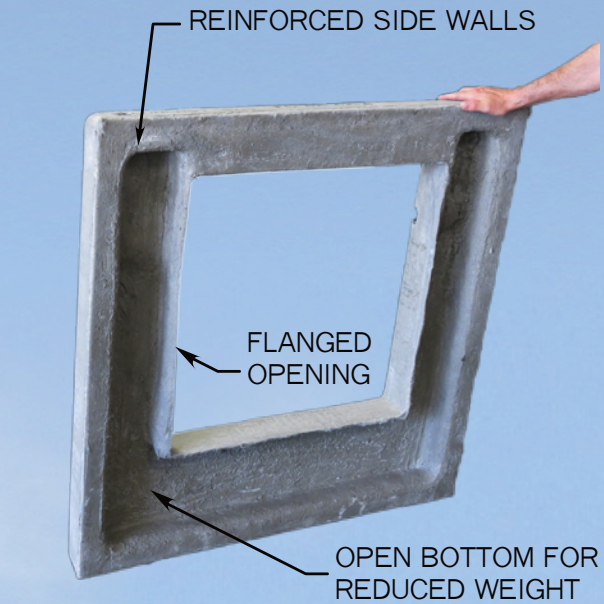


LIGHTWEIGHT FIBERCRETE FLAT PADS

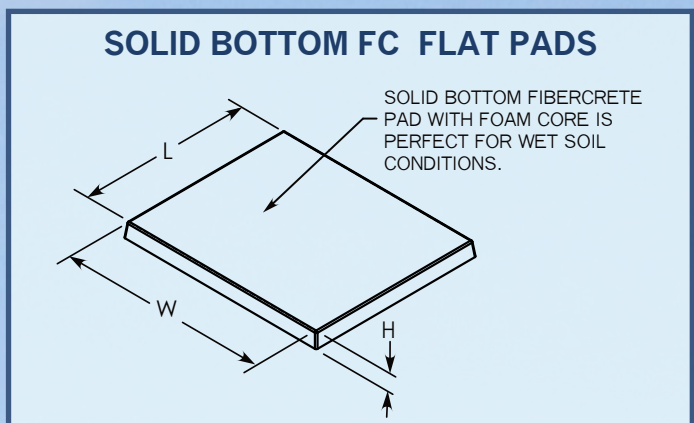


LIGHTWEIGHT FC FLAT PAD BENEFITS:

- No warping or bowing, which is commonly seen in plastic pads.
- 3X the impact resistance of ordinary concrete.
- Lightweight pads are easily maneuvered by one or two people.
- Pads can be field-drilled for exact bolt-down locations.
- Stainless steel unistrut & hardware are available upon request.
- Custom holes & openings are available.
- Made in the USA
- **35 year warranty.**



| STANDARD SIZE PART NUMBERS FOR FC FLAT PADS | PAD LENGTH "L" | PAD WIDTH "W" | PAD HEIGHT "H" | PAD OPENING "LL X WW" | FRONT OFFSET | WEIGHT (LBS.) |
|---|----------------|---------------|----------------|-----------------------|--------------|---------------|
| FC-26-54-4-1126 (6) | 26" | 25" | 4" | 11 x 25.75 | 6" | 138 |
| FC-30-30-3-1016 (6) | 30" | 30" | 3" | 10 X 16 | 6" | 74 |
| FC-36-36-4-1218 (6) | 36" | 36" | 4" | 12 X 18 | 6" | 112 |
| FC-36-72-4-1248 (6) | 36" | 36" | 4" | 12 X 48 | 6" | 201 |
| FC-38-42-3.25-2012 (8) | 38" | 42" | 3.25" | 20 X 12 | 7.75" | 126 |
| FC-40-40-3.5-1225 (6) | 40" | 40" | 3.5" | 12 X 25 | 6" | 123 |
| FC-42-42-4-1326 (5) | 42" | 42" | 4" | 13 X 25.75 | 5" | 138 |
| FC-42-42-4-2626 | 42" | 42" | 4" | 25.75 X 25.75 | 5" | 115 |
| FC-42-45-4-2512 (6) | 42" | 45" | 4" | 25 X 12 | 6" | 154 |
| FC-42-48-4-2612 (4) | 42" | 48" | 4" | 26 X 12 | 4" | 159 |
| FC-42-48-4-2626 (4) | 42" | 48" | 4" | 26 X 26 | 4" | 133 |
| FC-46-46-4-1228 (7) | 46" | 46" | 4" | 12 X 28 | 7" | 171 |
| FC-48-48-4-1227 (8) | 48" | 48" | 4" | 12 X 27 | 8" | 190 |
| FC-48-54-4-1225 (6) | 48" | 54" | 4" | 12 X 25 | 6" | 195 |



P.O. Box 69
 1010 North Star Drive
 Zumbrota, MN 55992-0069