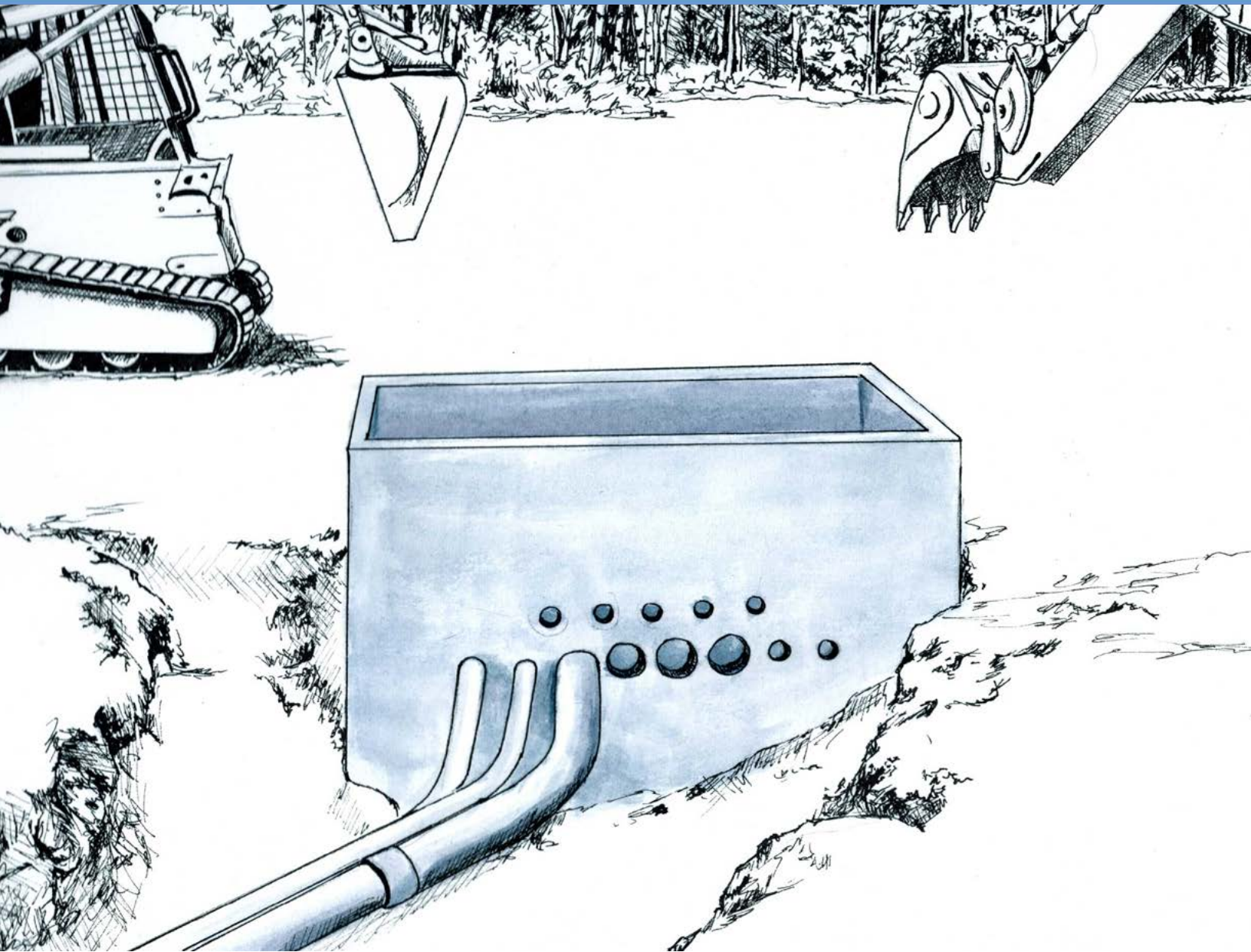




CONCAST

Fibercrete®

PRECISELY ENGINEERED HIGH STRENGTH CONCRETE



PULL BOXES



IDEAL USES FOR CONCAST VAULTS & BOXES



MANY COVER OPTIONS



EASY INSTALLATION



SPECIALTY

- Concast vaults/boxes provide an enclosure for underground electrical equipment and can have a traffic rating ranging from pedestrian to AASHTO H-20 heavy traffic rating.
- Concast's line of customizable concrete pull boxes are designed to interface perfectly with the Concast Fibercrete® Trench System next to control buildings for extra cable training room, or they can stand alone to be used for pulling cables.
- Concast is a leader in providing specialty concrete products to meet individual customer requirements and specifications.
- Concast, Inc. was founded in 1969 by Mr. Ben Tilsen, past owner and president. Ben was a concrete technologist known for his work in lightweight aggregates and fiber reinforced concrete.

Guide Specifications

Pull Boxes shall be constructed with Concast high strength concrete or approved equal. It shall be composed of cement mortar with steel reinforcing throughout.

Complete recommended specifications can be found in this catalog and online at www.concastinc.com/product_specs

Detail Drawings Provided

Concast will provide detail drawings for engineering approval, and to assist the construction crew with installation. Drawings will show overall product size, opening size, weight, and any accessories required such as inserts and knockouts.

You can access the installation guidelines online at www.concastinc.com; keyword "guidelines"

Pull Boxes



Pull Box Overview

REDUCE INSTALLATION COSTS WITH CONCAST'S URD UTILITY PULL BOXES

IN-PLACE COST IS LESS than site-cast
concrete, plastic mortars, or fiberglass
plastics.



Benefits:

- **HANDLING IS EASY.** All Concast Vaults & Pull Boxes are supplied with cast-in lifting devices which prevent the need for unsafe slinging procedures.
- **HIGH STRENGTH MATERIAL.** A strong and durable mix design permits a thinner wall than poured-in-place concretes. This also provides a safe and reliable electrical enclosure suitable for numerous applications.
- **LONG LIFE.** Concrete construction results in long product life plus fire and corrosion resistance. Inert mineral composition stands up to temperature extremes, rain, and UV degradation.
- **WIDE RANGE OF SIZES.** Concast offers many different box sizes to fit your needs. Everything from small lightweight Modular Handholes to large stackable traffic rated concrete enclosures are available.
- **MANY USES.** Concast has a wide range of sizes and a reputation for meeting customers special requirements. Examples include: Handholes, Splice Boxes, Pull boxes, Manholes, and Vaults.
- **TAMPER PROOF.** Utility Pull Boxes can be provided with PentaHead or SureLock bolt-down covers to prevent tampering of equipment or cables. Padlocking vault covers are also available.
- **NATURAL APPEARANCE.** Smooth, stone-like surfaces blend with natural environment.



Features:

- **STACKABILITY.** Many Concast boxes can be stacked to meet your desired depth. Mating joints and steel hardware make stacked boxes very stable.
- **COVERS.** Concast can provide a wide range of cover materials and traffic ratings to fit many job applications.



Pull Boxes Options

- **PULL BOXES CAN BE MADE TO ORDER.** If your requirements are not included in the standard pull box charts, please contact Concast or your local Concast sales representative with your design needs.
- **GENERIC PDF DRAWINGS ARE ONLINE.** Drawings of each of the listed common pull boxes are available in PDF format online at www.concastinc.com/pull_boxes. These drawings are a great tool for communicating what customizations you require for your project.
- **COVERS ARE INCLUDED.** Pull Boxes come with covers and are designated on the chart. Cover options are driven by the pull box size; and they include Fibercrete, Aluminum, Galvanized Steel, Spring-Assisted, and Cast Iron. Most covers are bolt-down and come with Hex Head Bolts. PentaHead or SureLock bolts are optional. These covers can have utility identification markings via an aluminum letter plate bolted into the cover.
- **MANHOLES:** Pull Boxes with manhole covers can also utilize manhole rings to raise the height of the manhole opening in relation to the pull box surface.
- **WALL THICKNESS:** The wall thickness will range between 4 and 6 inches, depending on the size of the box.
- **OTHER AVAILABLE OPTIONS:** Pull Boxes can have knockouts, Con-Duct terminators, and/or extra holes included in the sidewalls. Other options include pulling eyes, threaded inserts, dividers, unistrut, and reducing couplers. Solid bottom and completely open bottom boxes are available as alternate options to the standard 9" square drain hole.

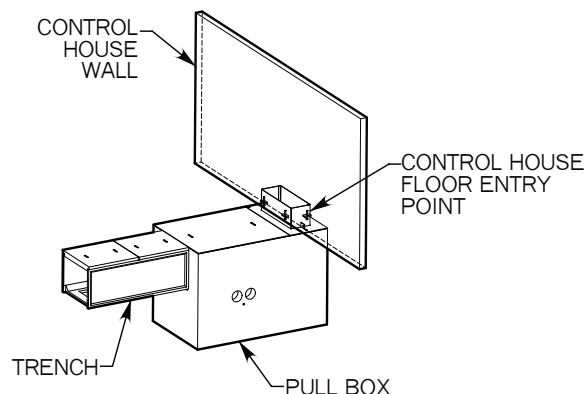
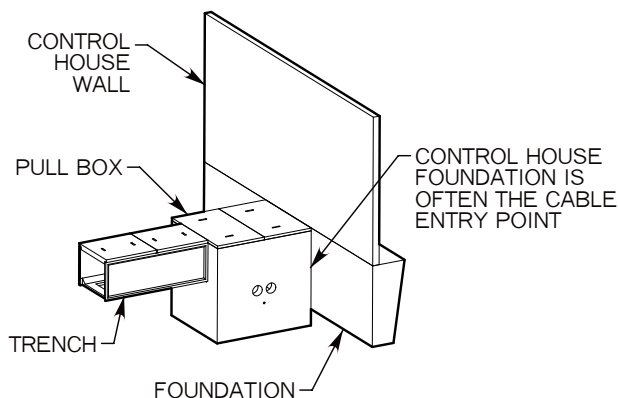


COVER WITH ADJUSTABLE RISER



TRENCH SYSTEM APPLICATIONS

Pull Boxes can be used with the Concast Fibercrete Trench System. Typical installations have the Pull box near the control building or at the end of a trench run. Pull Boxes can also stand alone in other substation applications. See illustrations below. For more information, refer to the trench system section of this catalog or to the Concast website.





Pull Box Sizes

- 4-6 inch thick steel reinforced box walls made with high strength concrete are extremely rigid and stable.
- Concast pull boxes are produced in rigid steel molds to ensure that tolerances are maintained.
- Larger box bases are cast with four recessed lifting points (A-Anchors) and drain holes. Smaller boxes have threaded inserters cast into their floors and/or top surface.
- Stackable box side walls meet AASHTO H-20 requirements. The final traffic rating is determined by the traffic rating of the cover. For example, if the box has aluminum covers, then it will have a pedestrian rating.
- Stackable pull boxes can be ordered without the standard floor/base; with or without the standard 9 inch square drain hole in the floor.

| Small Pull Boxes | | | |
|------------------|----------------|---------------------|---------------|
| Exterior Dim's | Interior Dim's | Ped & Light Traffic | Heavy Traffic |
| 32 x 44 | 24 x 36 | Page 6 | Page 7 |
| 38 x 38 | 30 x 30 | Page 8 | Page 9 |
| 38 x 44 | 30 x 36 | Page 10 | Page 11 |
| 38 x 62 | 30 x 54 | Page 12 | Page 13 |
| 40 x 86 | 30 x 76 | Page 14 | Page 15 |
| 44 x 56 | 36 x 48 | Page 16 | Page 17 |

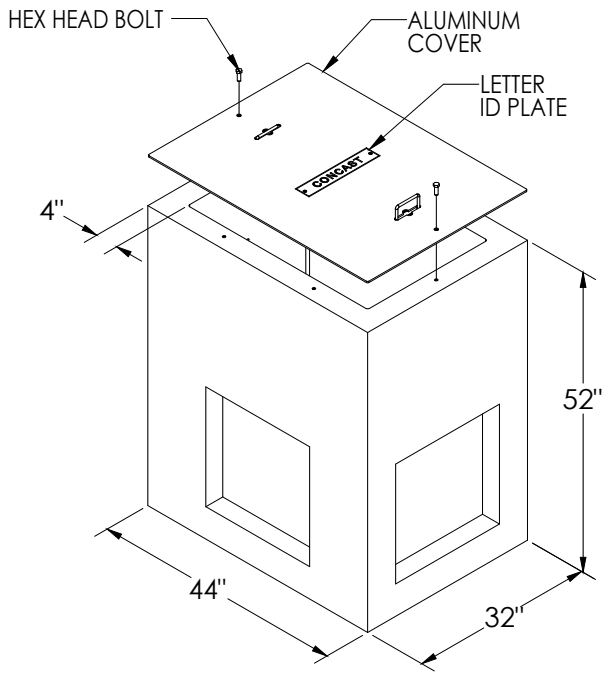
| Medium Pull Boxes | | | |
|-------------------|----------------|---------------------|---------------|
| Exterior Dim's | Interior Dim's | Ped & Light Traffic | Heavy Traffic |
| 44 x 68 | 36 x 60 | Page 18 | Page 19 |
| 56 x 56 | 48 x 48 | Page 20 | Page 21 |
| 50 x 114 | 38 x 102 | Page 22 | Page 23 |
| 54 x 120 | 42 x 108 | Page 24 | Page 25 |
| 60 x 84 | 48 x 72 | Page 26 | Page 27 |
| 72 x 72 | 60 x 60 | Page 28 | Page 29 |

| Large Pull Boxes | | | |
|------------------|----------------|---------------------|---------------|
| Exterior Dim's | Interior Dim's | Ped & Light Traffic | Heavy Traffic |
| 60 x 108 | 48 x 96 | Page 30 | Page 31 |
| 66 x 120 | 54 x 108 | Page 32 | Page 33 |
| 72 x 96 | 60 x 84 | Page 34 | Page 35 |
| 84 x 108 | 72 x 96 | Page 36 | Page 37 |
| 84 x 120 | 72 x 108 | Page 38 | Page 39 |
| 96 x 156 | 80 x 140 | Page 40 | Page 41 |

32 x 44 Ped & Light Traffic Pull Boxes



| 4" CON-DUCT TERMINATORS ON ALL 4 SIDES - PEDESTRIAN OR LIGHT TRAFFIC RATED | | |
|--|--------------------|--|
| 4 Con-Ducts | 12 Con-Ducts | Included Cover |
| PB4-32-44-40-A | PB12-32-44-40-A | Pedestrian Aluminum Cover 32-44-A |
| PB4-32-44-40-HA | PB12-32-44-40-HA | Pedestrian Hinged Aluminum Cover 32-44-HA |
| PB4-32-44-40-HALT | PB12-32-44-40-HALT | Light Traffic Rated Hinged Aluminum Cover 32-44-HALT |
| PB4-32-44-52-A | PB12-32-44-52-A | Pedestrian Aluminum Cover 32-44-A |
| PB4-32-44-52-HA | PB12-32-44-52-HA | Pedestrian Hinged Aluminum Cover 32-44-HA |
| PB4-32-44-52-HALT | PB12-32-44-52-HALT | Light Traffic Rated Hinged Aluminum Cover 32-44-HALT |



**KO (KNOCKOUT) BOX
PBK01-32-44-52-FC**

| KNOCKOUTS ON ALL 4 SIDES PEDESTRIAN OR LIGHT TRAFFIC RATED | |
|---|--|
| 20" x 20" KO's | Included Cover |
| PBK01-32-44-40-A | Pedestrian Aluminum Cover 32-44-A |
| PBK01-32-44-40-HA | Pedestrian Hinged Aluminum Cover 32-44-HA |
| PBK01-32-44-40-HALT | Light Traffic Rated Hinged Aluminum Cover 32-44-HALT |
| PBK01-32-44-52-A | Pedestrian Aluminum Cover 32-44-A |
| PBK01-32-44-52-HA | Pedestrian Hinged Aluminum Cover 32-44-HA |
| PBK01-32-44-52-HALT | Light Traffic Rated Hinged Aluminum Cover 32-44-HALT |

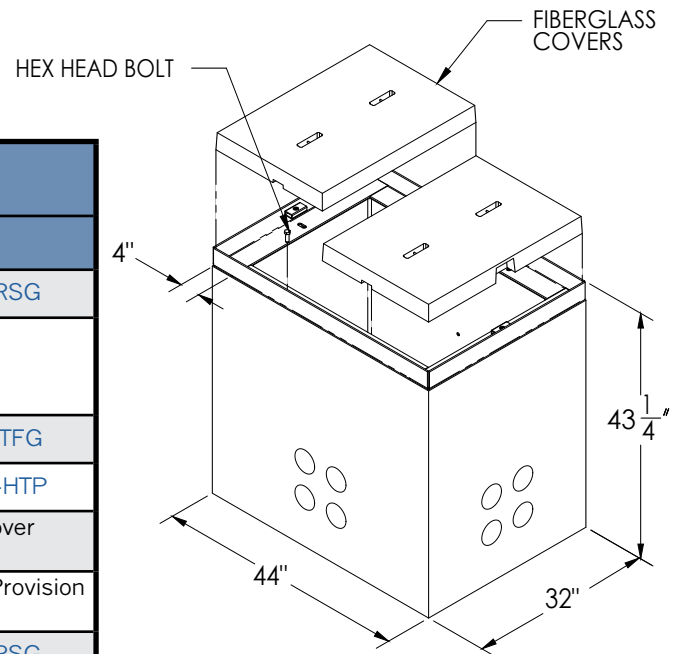
Pull Boxes

32 x 44 Heavy Traffic Pull Boxes



| 4" CON-DUCT TERMINATORS ON ALL 4 SIDES - HEAVY TRAFFIC RATED | | |
|--|----------------------|--|
| 4 Con-Ducts | 12 Con-Ducts | Included Cover(s) |
| PB4-32-44-40-RSG | PB12-32-44-40-RSG | Galvanized Steel Cover 32-44-RSG |
| PB4-32-44-40-RSGSLP | PB12-32-44-40-RSGSLP | Galv. Steel Cover w/Padlock Provision 32-44-RSGSLP |
| PB4-32-44-40-HTFG | PB12-32-44-40-HTFG | Two Fiberglass Covers 32-22-HTFG |
| PB4-32-44-40-HTP | PB12-32-44-40-HTP | Polymer Concrete Cover 32-44-HTP |
| PB4-32-44-40-SPA | PB12-32-44-40-SPA | Galvanized Steel Spring-Assisted Cover 32-44-SPA |
| PB4-32-44-40-SPA-LK | PB12-32-44-40-SPA-LK | Galv. Steel SPA Cover w/Padlock Provision 32-44-SPA-LK |
| PB4-32-44-52-RSG | PB12-32-44-52-RSG | Galvanized Steel Cover 32-44-RSG |
| PB4-32-44-52-RSGSLP | PB12-32-44-52-RSGSLP | Galv. Steel Cover w/Padlock Provision 32-44-RSGSLP |
| PB4-32-44-52-HTFG | PB12-32-44-52-HTFG | Two Fiberglass Covers 32-22-HTFG |
| PB4-32-44-52-HTP | PB12-32-44-52-HTP | Polymer Concrete Cover 32-44-HTP |
| PB4-32-44-52-SPA | PB12-32-44-52-SPA | Galvanized Steel Spring-Assisted Cover 32-44-SPA |
| PB4-32-44-52-SPA-LK | PB12-32-44-52-SPA-LK | Galv. Steel SPA Cover w/Padlock Provision 32-44-SPA-LK |

| KNOCKOUTS ON ALL 4 SIDES HEAVY TRAFFIC RATED | |
|---|---|
| 20" x 20" KO's | Included Cover |
| PBKO1-32-44-40-RSG | Galvanized Steel Cover 32-44-RSG |
| PBKO1-32-44-40-RSGSLP | Galvanized Steel Cover w/Padlock Provision 32-44-RSGSLP |
| PBKO1-32-44-40-HTFG | Two Fiberglass Covers 32-22-HTFG |
| PBKO1-32-44-40-HTP | Polymer Concrete Cover 32-44-HTP |
| PBKO1-32-44-40-SPA | Galv. Steel Spring-Assisted Cover 32-44-SPA |
| PBKO1-32-44-40-SPA-LK | Galv. Steel SPA Cover w/Padlock Provision 32-44-SPA-LK |
| PBKO1-32-44-52-RSG | Galvanized Steel Cover 32-44-RSG |
| PBKO1-32-44-52-RSGSLP | Galvanized Steel Cover w/Padlock Provision 38-44-RSGSLP |
| PBKO1-32-44-52-HTFG | Two Fiberglass Covers 32-22-HTFG |
| PBKO1-32-44-52-HTP | Polymer Concrete Cover 32-44-HTP |
| PBKO1-32-44-52-SPA-LK | Galv. Steel SPA Cover w/Padlock Provision 32-44-SPA-LK |



**DUCT TERMINATOR BOX
PB4-32-44-40-HTFG**

Pull Boxes

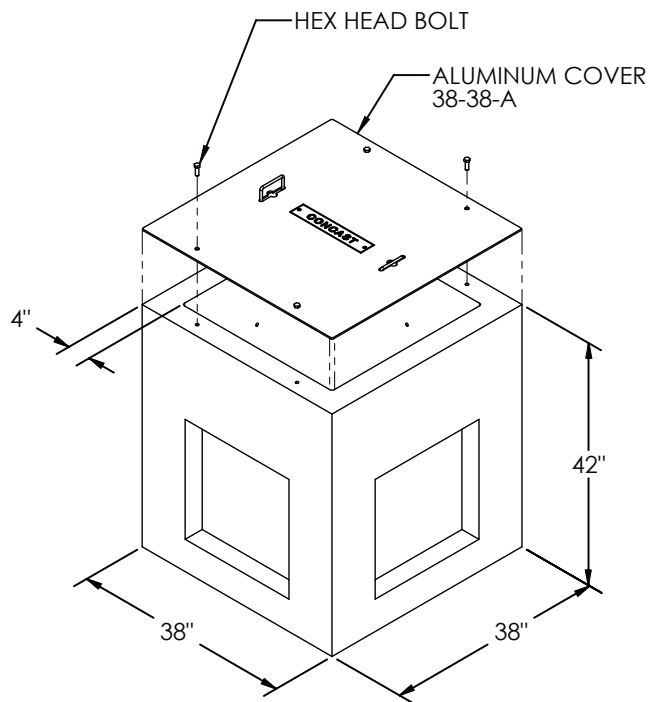
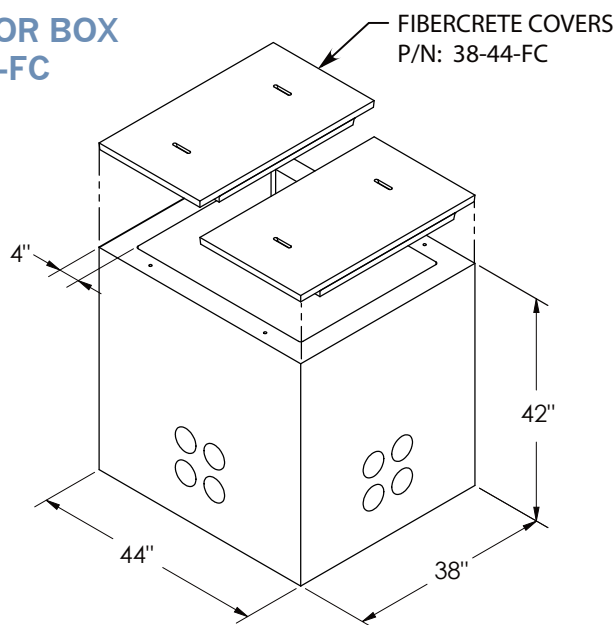
Pull Boxes

38 x 38 Ped & Light Traffic Pull Boxes



| 4" CON-DUCT TERMINATORS ON ALL 4 SIDES - PEDESTRIAN OR LIGHT TRAFFIC RATED | | | |
|--|-------------------|--------------------|--|
| 4 Con-Ducts | 9 Con-Ducts | 16 Con-Ducts | Included Cover |
| PB4-38-38-42-A | PB9-38-38-42-A | PB16-38-38-42-A | Pedestrian Aluminum Cover 38-38-A |
| PB4-38-38-42-FC | PB9-38-38-42-FC | PB16-38-38-42-FC | Pedestrian Fibercrete Cover 38-38-FC |
| PB4-38-38-42-HA | PB9-38-38-42-HA | PB16-38-38-42-HA | Pedestrian Hinged Aluminum Cover 38-38-HA |
| PB4-38-38-42-HALT | PB9-38-38-42-HALT | PB16-38-38-42-HALT | Light Traffic Rated Hinged Aluminum Cover 38-38-HALT |

**DUCT TERMINATOR BOX
PB4-38-38-42-FC**



**KO BOX
PBK01-38-38-42-A**

| KNOCKOUTS ON ALL 4 SIDES PEDESTRIAN OR LIGHT TRAFFIC RATED | |
|---|--|
| 20" x 20" KO's | Included Cover |
| PBK01-38-38-42-A | Ped. Aluminum Cover 38-38-A |
| PBK01-38-38-42-FC | Ped. Fibercrete Cover 38-38-FC |
| PBK01-38-38-42-HA | Pedestrian Hinged Aluminum Cover 38-38-HA |
| PBK01-38-38-42-HALT | Light Traffic Rated Hinged Aluminum Cover 38-38-HALT |

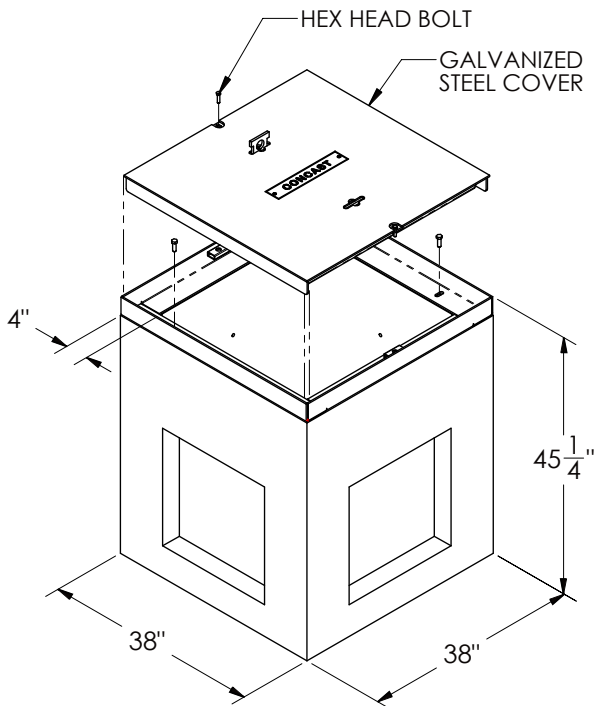
Pull Boxes

Pull Boxes



38 x 38 Heavy Traffic Pull Boxes

| 4" CON-DUCT TERMINATORS ON ALL 4 SIDES - HEAVY TRAFFIC RATED | | | |
|--|---------------------|----------------------|--|
| 4 Con-Ducts | 9 Con-Ducts | 16 Con-Ducts | Included Cover |
| PB4-38-38-42-RSG | PB9-38-38-42-RSG | PB16-38-38-42-RSG | Galvanized Steel Cover 38-38-RSG |
| PB4-38-38-42-RSGSLP | PB9-38-38-42-RSGSLP | PB16-38-38-42-RSGSLP | Galvanized. Steel Cover w/Padlock Provision 38-38-RSGSLP |
| PB4-38-38-42-HTFG | PB9-38-38-42-HTFG | PB16-38-38-42-HTFG | Fiberglass Cover 38-38-HTFG |
| PB4-38-38-42-HTP | PB9-38-38-42-HTP | PB16-38-38-42-HTP | Polymer Concrete Cover 38-38-HTP |
| PB4-38-38-42-MH | PB9-38-38-42-MH | PB16-38-38-42-MH | Concrete Cap 38-38-MH w/Cast Iron Frame & Cover CI-32-26 |
| PB4-38-38-42-SPA | PB9-38-38-42-SPA | PB16-38-38-42-SPA | Galvanized Steel Spring-Assisted Cover 38-38-SPA |
| PB4-38-38-42-SPA-LK | PB9-38-38-42-SPA-LK | PB16-38-38-42-SPA-LK | Galv. Steel SPA Cover w/Padlock Provision 38-38-SPA-LK |



**KO (KNOCKOUT) BOX
PBK01-38-38-42-RSG**

| KNOCKOUTS ON ALL 4 SIDES HEAVY TRAFFIC RATED | |
|---|--|
| 20" x 20" KO's | Included Cover(s) |
| PBK01-38-38-42-RSG | Galvanized Steel Cover 38-38-RSG |
| PBK01-38-38-42-RSGSLP | Galvanized Steel Cover w/Padlock Provision 38-44-RSGSLP |
| PBK01-38-38-42-HTFG | 2 Fiberglass Covers 38-38-HTFG |
| PBK01-38-38-42-HTP | Polymer Concrete Cover 38-38-HTP |
| PBK01-38-38-42-MH | Concrete Cap 38-38-MH w/Cast Iron Frame & Cover CI-32-26 |
| PBK01-38-38-42-SPA | Galv. Steel Spring-Assisted Cover 38-38-SPA |
| PBK01-38-38-42-SPA-LK | Galv. Steel SPA Cover w/Padlock Provision 38-38-SPA |

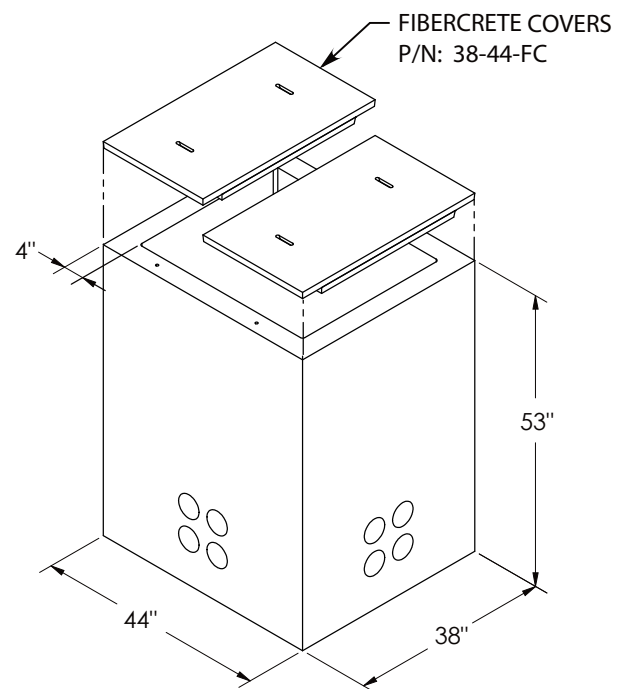
Pull Boxes

38 x 44 Ped & Light Traffic Pull Boxes



| 4" CON-DUCT TERMINATORS ON ALL 4 SIDES - PEDESTRIAN OR LIGHT TRAFFIC RATED | | | |
|--|-------------------|--------------------|--|
| 4 Con-Ducts | 9 Con-Ducts | 16 Con-Ducts | Included Cover(s) |
| PB4-38-44-42-A | PB9-38-44-42-A | PB16-38-44-42-A | Pedestrian Aluminum Cover 38-44-A |
| PB4-38-44-42-FC | PB9-38-44-42-FC | PB16-38-44-42-FC | 2 Pedestrian Fibercrete Covers 38-22-FC |
| PB4-38-44-42-HA | PB9-38-44-42-HA | PB16-38-44-42-HA | Pedestrian Hinged Aluminum Cover 38-44-HA |
| PB4-38-44-42-HALT | PB9-38-44-42-HALT | PB16-38-44-42-HALT | Light Traffic Rated Hinged Aluminum Cover 38-44-HALT |
| PB4-38-44-53-A | PB9-38-44-53-A | PB16-38-44-53-A | Pedestrian Aluminum Cover 38-44-A |
| PB4-38-44-53-FC | PB9-38-44-53-FC | PB16-38-44-53-FC | 2 Pedestrian Fibercrete Covers 38-22-FC |
| PB4-38-44-53-HA | PB9-38-44-53-HA | PB16-38-44-53-HA | Pedestrian Hinged Aluminum Cover 38-44-HA |
| PB4-38-44-53-HALT | PB9-38-44-53-HALT | PB16-38-44-53-HALT | Light Traffic Rated Hinged Aluminum Cover 38-44-HALT |

| KNOCKOUTS ON ALL 4 SIDES PEDESTRIAN OR LIGHT TRAFFIC RATED | |
|--|--|
| 20" x 20" KO's | Included Cover(s) |
| PBKO1-38-44-42-A | Pedestrian Aluminum Cover 38-44-A |
| PBKO1-38-44-42-FC | 2 Pedestrian Fibercrete Covers 38-22-FC |
| PBKO1-38-44-42-HA | Pedestrian Hinged Aluminum Cover 38-44-HA |
| PBKO1-38-44-42-HALT | Light Traffic Rated Hinged Aluminum Cover 38-44-HALT |
| PBKO1-38-44-53-A | Pedestrian Aluminum Cover 38-44-A |
| PBKO1-38-44-53-FC | 2 Pedestrian Fibercrete Covers 38-22-FC |
| PBKO1-38-44-53-HA | Pedestrian Hinged Aluminum Cover 38-44-HA |
| PBKO1-38-44-53-HALT | Light Traffic Rated Hinged Aluminum Cover 38-44-HALT |



**DUCT TERMINATOR BOX
PB4-38-44-42-FC**

Pull Boxes

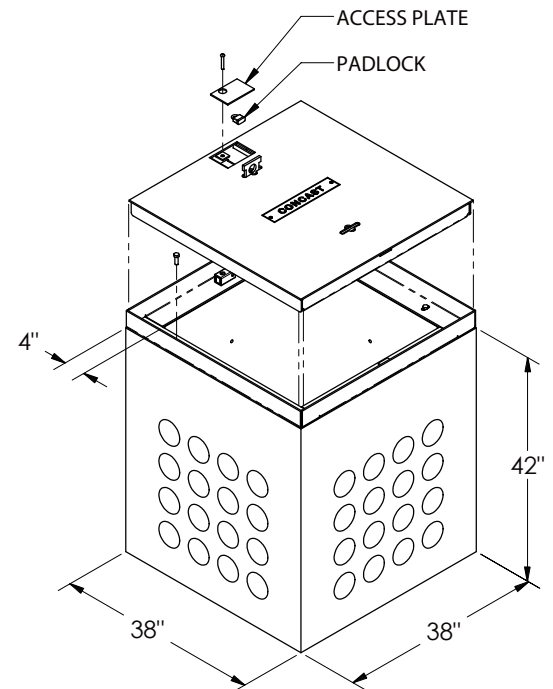
Pull Boxes



38 x 44 Heavy Traffic Pull Boxes

| 4" CON-DUCT TERMINATORS ON ALL 4 SIDES - HEAVY TRAFFIC RATED | | | |
|--|---------------------|----------------------|--|
| 4 Con-Ducts | 9 Con-Ducts | 16 Con-Ducts | Included Cover(s) |
| PB4-38-44-42-RSG | PB9-38-44-42-RSG | PB16-38-44-42-RSG | Galvanized Steel (SG) Cover 38-44-RSG |
| PB4-38-44-42-RSGSLP | PB9-38-44-42-RSGSLP | PB16-38-44-42-RSGSLP | SG Cover w/Padlock Provision 38-44-RSGSLP |
| PB4-38-44-42-HTFG | PB9-38-44-42-HTFG | PB16-38-44-42-HTFG | 2 Fiberglass Covers 38-22-HTFG |
| PB4-38-44-42-HTP | PB9-38-44-42-HTP | PB16-38-44-42-HTP | 2 Polymer Concrete Covers 38-22-HTP |
| PB4-38-44-42-MH | PB9-38-44-42-MH | PB16-38-44-42-MH | Concrete Cap 38-44-MH w/Cast Iron Frame & Cover CI-32-26 |
| PB4-38-44-42-SPA | PB9-38-44-42-SPA | PB16-38-44-42-SPA | SG Spring-Assisted Cover 38-44-SPA |
| PB4-38-44-42-SPA-LK | PB9-38-44-42-SPA-LK | PB16-38-44-42-SPA-LK | SG SPA Cover w/Padlock Provision 38-44-SPA-LK |
| PB4-38-44-53-RSG | PB9-38-44-53-RSG | PB16-38-44-53-RSG | Galvanized Steel (SG) Cover 38-44-RSG |
| PB4-38-44-53-RSGSLP | PB9-38-44-53-RSGSLP | PB16-38-44-53-RSGSLP | SG Cover w/Padlock Provision 38-44-RSGSLP |
| PB4-38-44-53-HTFG | PB9-38-44-53-HTFG | PB16-38-44-53-HTFG | 2 Fiberglass Covers 38-22-HTFG |
| PB4-38-44-53-HTP | PB9-38-44-53-HTP | PB16-38-44-53-HTP | 2 Polymer Concrete Covers 38-22-HTP |
| PB4-38-44-53-MH | PB9-38-44-53-MH | PB16-38-44-53-MH | Concrete Cap 38-44-MH w/Cast Iron Frame & Cover CI-32-26 |
| PB4-38-44-53-SPA | PB9-38-44-53-SPA | PB16-38-44-53-SPA | SG Spring-Assisted Cover 38-44-SPA |
| PB4-38-44-53-SPA-LK | PB9-38-44-53-SPA-LK | PB16-38-44-53-SPA-LK | SG SPA Cover w/Padlock Provision 38-44-SPA-LK |

| KNOCKOUTS ON ALL 4 SIDES - HEAVY TRAFFIC RATED | |
|--|--|
| 20" x 20" KO's | Included Cover(s) |
| PBKO1-38-44-42-RSG | Galvanized Steel (SG) Cover 38-38-RSG |
| PBKO1-38-44-42-RSGSLP | SG Cover w/Padlock Provision 38-44-RSGSLP |
| PBKO1-38-44-42-HTFG | 2 Fiberglass Covers 38-22-HTFG |
| PBKO1-38-44-42-HTP | 2 Polymer Concrete Covers 38-22-HTP |
| PBKO1-38-44-42-MH | Concrete Cap 38-44-MH w/Cast Iron Frame & Cover CI-32-26 |
| PBKO1-38-44-42-SPA | SG Spring-Assisted Cover 38-44-SPA |
| PBKO1-38-44-53-SPA-LK | SG SPA Cover w/Padlock Provision 38-44-SPA-LK |
| PBKO1-38-44-53-RSG | Galvanized Steel (SG) Cover 38-38-RSG |
| PBKO1-38-44-53-RSGSLP | SG Cover w/Padlock Provision 38-44-RSGSLP |
| PBKO1-38-44-53-HTFG | 2 Fiberglass Covers 38-22-HTFG |
| PBKO1-38-44-53-HTP | 2 Polymer Concrete Covers 38-22-HTP |
| PBKO1-38-44-53-MH | Concrete Cap 38-44-MH w/Cast Iron Frame & Cover CI-32-26 |
| PBKO1-38-44-53-SPA | SG Spring-Assisted Cover 38-44-SPA |
| PBKO1-38-44-53-SPA-LK | SG SPA Cover w/Padlock Provision 38-44-SPA-LK |



**DUCT TERMINATOR BOX
PB16-38-44-42-RSGSLP**

Pull Boxes

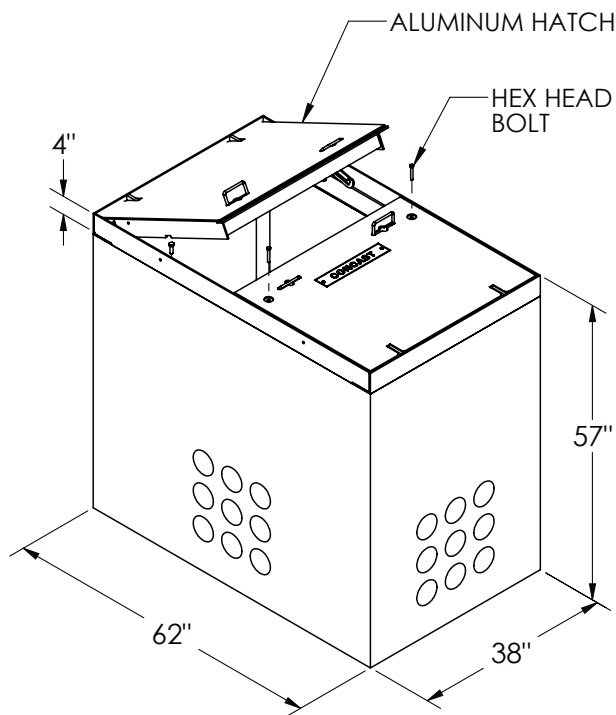
Pull Boxes

38 x 62 Ped & Light Traffic Pull Boxes



| 4" CON-DUCT TERMINATORS ON ALL 4 SIDES - PEDESTRIAN OR LIGHT TRAFFIC RATED | | | |
|--|-------------------|--------------------|--|
| 4 Con-Ducts | 9 Con-Ducts | 16 Con-Ducts | Included Cover(s) |
| PB4-38-62-42-A | PB9-38-62-42-A | PB16-38-62-42-A | 2 Pedestrian Aluminum Covers 38-31-A |
| PB4-38-62-42-FC | PB9-38-62-42-FC | PB16-38-62-42-FC | 3 Pedestrian Fibercrete Covers 38-22-FC & 38-18-FC |
| PB4-38-62-42-HA | PB9-38-62-42-HA | PB16-38-62-42-HA | Pedestrian Hinged Aluminum Cover 38-62-HA |
| PB4-38-62-42-HALT | PB9-38-62-42-HALT | PB16-38-62-42-HALT | Light Traffic Rated Hinged Aluminum Cover 38-62-HALT |
| PB4-38-62-53-A | PB9-38-62-53-A | PB16-38-62-53-A | 2 Pedestrian Aluminum Covers 38-31-A |
| PB4-38-62-53-FC | PB9-38-62-53-FC | PB16-38-62-53-FC | 3 Pedestrian Fibercrete Covers 38-22-FC & 38-18-FC |
| PB4-38-62-53-HA | PB9-38-62-53-HA | PB16-38-62-53-HA | Pedestrian Hinged Aluminum Cover 38-62-HA |
| PB4-38-62-53-HALT | PB9-38-62-53-HALT | PB16-38-62-53-HALT | Light Traffic Rated Hinged Aluminum Cover 38-62-HALT |

| KNOCKOUTS ON ALL 4 SIDES PEDESTRIAN OR LIGHT TRAFFIC RATED | |
|--|--|
| 20" x 20" KO's | Included Cover(s) |
| PBKO1-38-62-42-A | 2 Pedestrian Aluminum Covers 38-31-A |
| PBKO1-38-62-42-FC | 3 Pedestrian Fibercrete Covers 38-22-FC & 38-18-FC |
| PBKO1-38-62-42-HA | Pedestrian Hinged Aluminum Cover 38-62-HA |
| PBKO1-38-62-42-HALT | Light Traffic Rated Hinged Aluminum Cover 38-62-HALT |
| PBKO1-38-62-53-A | 2 Pedestrian Aluminum Covers 38-31-A |
| PBKO1-38-62-53-FC | 3 Pedestrian Fibercrete Covers 38-22-FC & 38-18-FC |
| PBKO1-38-62-53-HA | Pedestrian Hinged Aluminum Cover 38-62-HA |
| PBKO1-38-62-53-HALT | Light Traffic Rated Hinged Aluminum Cover 38-62-HALT |



**DUCT TERMINATOR BOX
PB9-38-62-53-HA**

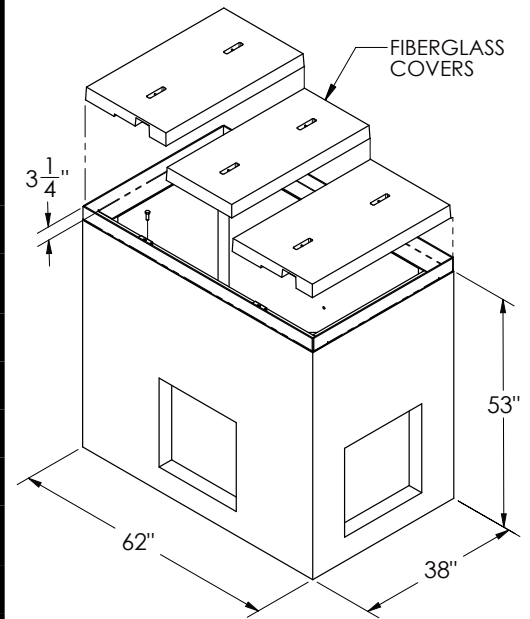
Pull Boxes



38 x 62 Heavy Traffic Pull Boxes

| 4" CON-DUCT TERMINATORS ON ALL 4 SIDES - HEAVY TRAFFIC RATED | | | |
|--|---------------------|----------------------|--|
| 4 Con-Ducts | 9 Con-Ducts | 16 Con-Ducts | Included Cover(s) |
| PB4-38-62-42-RSG | PB9-38-62-42-RSG | PB16-38-62-42-RSG | 2 Galvanized Steel (SG) Covers 38-31-RSG |
| PB4-38-62-42-RSGSLP | PB9-38-62-42-RSGSLP | PB16-38-62-42-RSGSLP | 2 SG Covers w/Padlock Provision 38-31-RSGSLP |
| PB4-38-62-42-HTFG | PB9-38-62-42-HTFG | PB16-38-62-42-HTFG | 3 Fiberglass Covers 38-18-HTFG & 38-22-HTFG |
| PB4-38-62-42-HTP | PB9-38-62-42-HTP | PB16-38-62-42-HTP | 2 Polymer Concrete Covers 38-31-HTP |
| PB4-38-62-42-MH | PB9-38-62-42-MH | PB16-38-62-42-MH | Concrete Cap 38-62-MH w/Cast Iron Frame & Cover CI-32-26 |
| PB4-38-62-42-SPA | PB9-38-62-42-SPA | PB16-38-62-42-SPA | SG Spring-Assisted Cover 38-62-SPA |
| PB4-38-62-42-SPA-LK | PB9-38-62-42-SPA-LK | PB16-38-62-42-SPA-LK | SG SPA Cover w/Padlock Provision 38-62-SPA-LK |
| PB4-38-62-53-RSG | PB9-38-62-53-RSG | PB16-38-62-53-RSG | 2 Galvanized Steel (SG) Covers 38-31-RSG |
| PB4-38-62-53-RSGSLP | PB9-38-62-53-RSGSLP | PB16-38-62-53-RSGSLP | 2 SG Covers w/Padlock Provision 38-31-RSGSLP |
| PB4-38-62-53-HTFG | PB9-38-62-53-HTFG | PB16-38-62-53-HTFG | 3 Fiberglass Covers 38-18-HTFG & 38-22-HTFG |
| PB4-38-62-53-HTP | PB9-38-62-53-HTP | PB16-38-62-53-HTP | 2 Polymer Concrete Covers 38-31-HTP |
| PB4-38-62-53-MH | PB9-38-62-53-MH | PB16-38-62-53-MH | Concrete Cap 38-62-MH w/Cast Iron Frame & Cover CI-32-26 |
| PB4-38-62-53-SPA | PB9-38-62-53-SPA | PB16-38-62-53-SPA | SG Spring-Assisted Cover 38-62-SPA |
| PB4-38-62-53-SPA-LK | PB9-38-62-53-SPA-LK | PB16-38-62-53-SPA-LK | SG SPA Cover w/Padlock Provision 38-62-SPA-LK |

| KNOCKOUTS ON ALL 4 SIDES - HEAVY TRAFFIC RATED | |
|--|--|
| 20" x 20" KO's | Included Cover(s) |
| PBK01-38-62-42-RSG | 2 Galvanized Steel (SG) Covers 38-31-RSG |
| PBK01-38-62-42-RSGSLP | 2 SG Covers w/Padlock Provision 38-31-RSGSLP |
| PBK01-38-62-42-HTFG | 3 Fiberglass Covers 38-18-HTFG & 38-22-HTFG |
| PBK01-38-62-42-HTP | 2 Polymer Concrete Covers 38-31-HTP |
| PBK01-38-62-42-MH | Concrete Cap 38-62-MH w/Cast Iron Frame & Cover CI-32-26 |
| PBK01-38-62-42-SPA | SG Spring-Assisted Cover 38-62-SPA |
| PBK01-38-62-53-SPA-LK | SG SPA Cover w/Padlock Provision 38-62-SPA-LK |
| PBK01-38-62-53-RSG | 2 Galvanized Steel (SG) Covers 38-31-RSG |
| PBK01-38-62-53-RSGSLP | 2 SG Covers w/Padlock Provision 38-31-RSGSLP |
| PBK01-38-62-53-HTFG | 3 Fiberglass Covers 38-18-HTFG & 38-22-HTFG |
| PBK01-38-62-42-HTP | 2 Polymer Concrete Covers 38-31-HTP |
| PBK01-38-62-53-MH | Concrete Cap 38-62-MH w/Cast Iron Frame & Cover CI-32-26 |
| PBK01-38-62-53-SPA | SG Spring-Assisted Cover 38-62-SPA |
| PBK01-38-62-53-SPA-LK | SG SPA Cover w/Padlock Provision 38-62-SPA-LK |



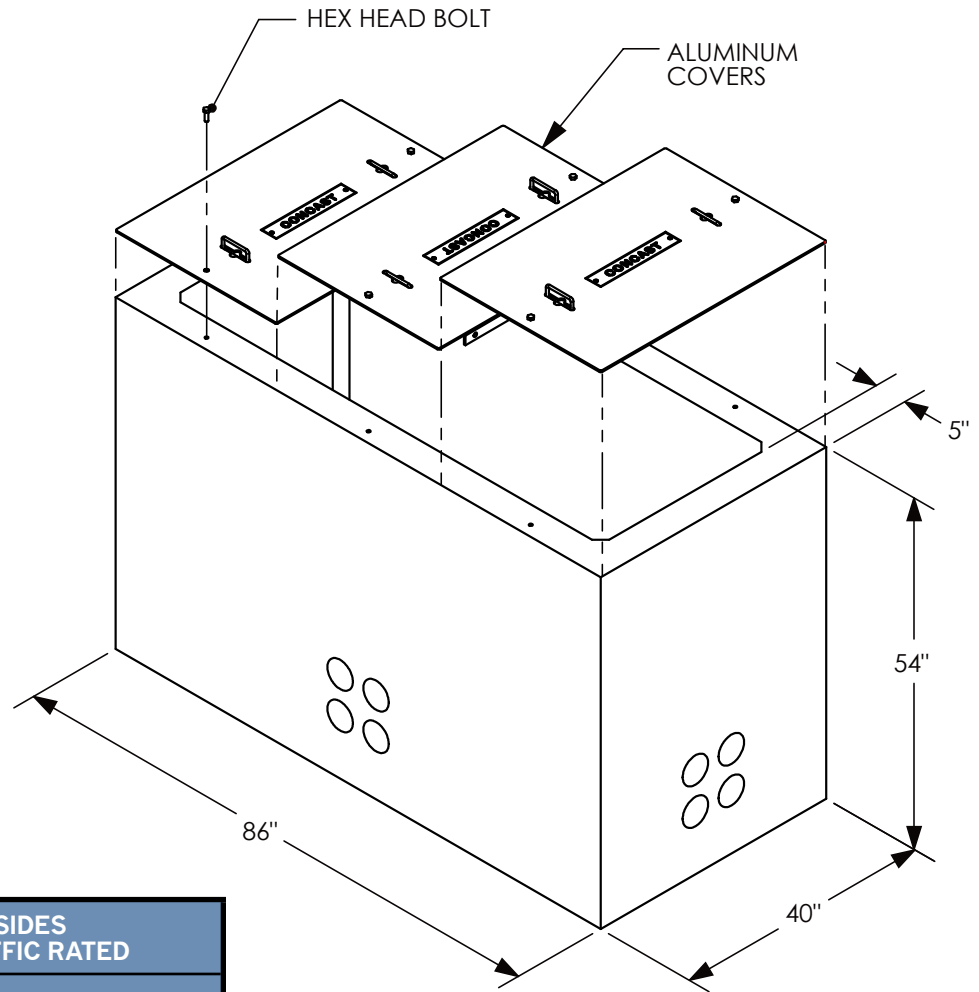
**KO (KNOCKOUT) BOX
PBK01-38-62-53-HTFG**

Pull Boxes

40 x 86 Ped & Light Traffic Pull Boxes



| 4" CON-DUCT TERMINATORS ON ALL 4 SIDES - PEDESTRIAN OR LIGHT TRAFFIC RATED | | | |
|--|-------------------|--------------------|---|
| 4 Con-Ducts | 9 Con-Ducts | 16 Con-Ducts | Included Cover(s) |
| PB4-40-86-54-A | PB9-40-86-54-A | PB16-40-86-54-A | 3 Pedestrian Aluminum Covers 40-29-A & 40-29-A-CTR |
| PB4-40-86-54-HA | PB9-40-86-54-HA | PB16-40-86-54-HA | Pedestrian Hinged Aluminum Cover 40-86-HA |
| PB4-40-86-54-HALT | PB9-40-86-54-HALT | PB16-40-86-54-HALT | Light Traffic Rated Hinged Aluminum Cover 40-86-HALT |



**DUCT TERMINATOR BOX
PB4-40-86-54-A**

| KNOCKOUTS ON ALL 4 SIDES PEDESTRIAN OR LIGHT TRAFFIC RATED | |
|---|--|
| 24" x 24" KO's | Included Cover(s) |
| PBK01-40-86-54-A | 3 Pedestrian Aluminum Covers 40-29-A & 40-29-A-CTR |
| PBK01-40-86-54-HA | Pedestrian Hinged Aluminum Cover 40-86-HA |
| PBK01-40-86-54-HALT | Light Traffic Rated Hinged Aluminum Cover 40-86-HALT |

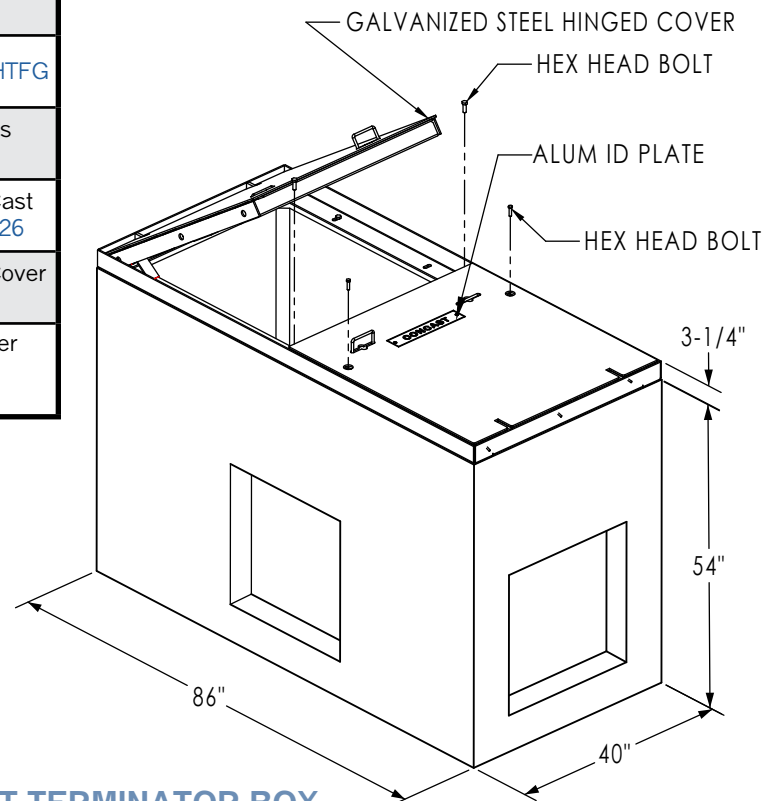
Pull Boxes



40 x 86 Heavy Traffic Pull Boxes

| 4" CON-DUCT TERMINATORS ON ALL 4 SIDES - HEAVY TRAFFIC RATED | | | |
|--|---------------------|----------------------|--|
| 4 Con-Ducts | 9 Con-Ducts | 16 Con-Ducts | Included Cover(s) |
| PB4-40-86-54-RSG | PB9-40-86-54-RSG | PB16-40-86-54-RSG | 3 Galvanized Steel Covers 40-29-RSG |
| PB4-40-86-54-HTFG | PB9-40-86-54-HTFG | PB16-40-86-54-HTFG | 3 Fiberglass Covers 40-28.7-HTFG |
| PB4-40-86-54-HTP | PB9-40-86-54-HTP | PB16-40-86-54-HTP | 3 Polymer Concrete Covers 40-29-HTP |
| PB4-40-86-54-MH | PB9-40-86-54-MH | PB16-40-86-54-MH | Concrete Cap 40-86-MH w/Cast Iron Frame & Cover CI-32-26 |
| PB4-40-86-54-SPA | PB9-40-86-54-SPA | PB16-40-86-54-SPA | Galv. Steel Spring-Assisted Cover 40-86-SPA |
| PB4-40-86-54-SPA-LK | PB9-40-86-54-SPA-LK | PB16-40-86-54-SPA-LK | Galv. Steel SPA Cover w/Padlock Provision 40-86-SPA-LK |

| KNOCKOUTS ON ALL 4 SIDES HEAVY TRAFFIC RATED | |
|---|---|
| 24" x 24" KO's | Included Cover(s) |
| PBKO1-40-86-54-RSG | 3 Galvanized Steel Covers 40-29-RSG |
| PBKO1-40-86-54-HTFG | 3 Fiberglass Covers 40-28.7-HTFG |
| PBKO1-40-86-54-HTP | 3 Polymer Concrete Covers 40-29-HTP |
| PBKO1-40-86-54-MH | Concrete Cap 40-86-MH w/Cast Iron Frame & Cover CI-32-26 |
| PBKO1-40-86-54-SPA | Galv. Steel Spring-Assisted Cover 40-86-SPA |
| PBKO1-40-86-54-SPA-LK | Galvanized Steel SPA Cover w/Padlock Provision 40-86-SPA-LK |



**DUCT TERMINATOR BOX
PB4-40-86-54-A**

Pull Boxes

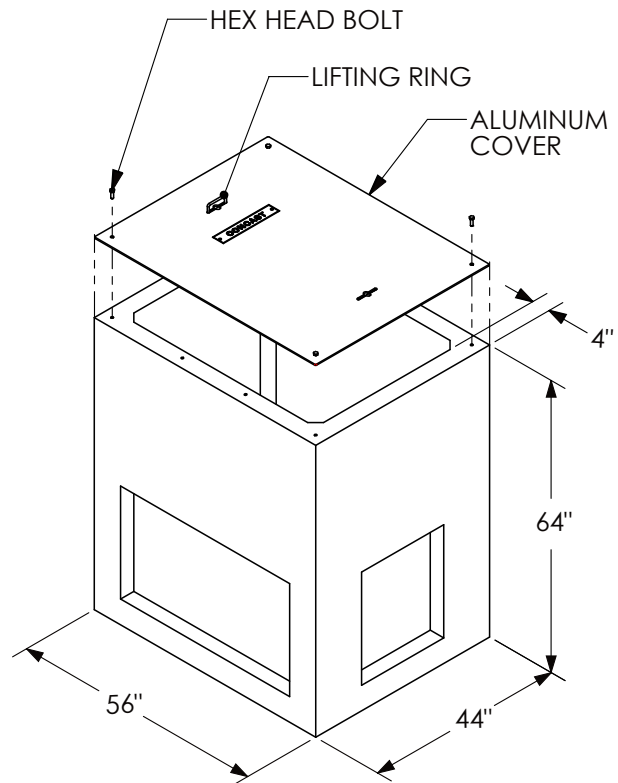
Pull Boxes

44 x 56 Ped & Light Traffic Pull Boxes



| 4" CON-DUCT TERMINATORS ON ALL 4 SIDES - PEDESTRIAN OR LIGHT TRAFFIC RATED | | | |
|--|-------------------|--------------------|---|
| 4 Con-Ducts | 9 Con-Ducts | 16 Con-Ducts | Included Cover |
| PB4-44-56-40-A | PB9-44-56-40-A | PB16-44-56-40-A | Pedestrian Aluminum Cover 44-56-A |
| PB4-44-56-40-HA | PB9-44-56-40-HA | PB16-44-56-40-HA | Pedestrian Hinged Aluminum Cover 44-56-HA |
| PB4-44-56-40-HALT | PB9-44-56-40-HALT | PB16-44-56-40-HALT | Light Traffic Rated Hinged Aluminum Cover 44-56-HALT |
| PB4-44-56-52-A | PB9-44-56-52-A | PB16-44-56-52-A | Pedestrian Aluminum Cover 44-56-A |
| PB4-44-56-52-HA | PB9-44-56-52-HA | PB16-44-56-52-HA | Pedestrian Hinged Aluminum Cover 44-56-HA |
| PB4-44-56-52-HALT | PB9-44-56-52-HALT | PB16-44-56-52-HALT | Light Traffic Rated Hinged Aluminum Cover 44-56-HALT |
| PB4-44-56-64-A | PB9-44-56-64-A | PB16-44-56-64-A | Pedestrian Aluminum Cover 44-56-A |
| PB4-44-56-64-HA | PB9-44-56-64-HA | PB16-44-56-64-HA | Pedestrian Hinged Aluminum Cover 44-56-HA |
| PB4-44-56-64-HALT | PB9-44-56-64-HALT | PB16-44-56-64-HALT | Light Traffic Rated Hinged Aluminum Cover 44-56-HALT |

| KNOCKOUTS ON ALL 4 SIDES PEDESTRIAN OR LIGHT TRAFFIC RATED | |
|---|---|
| 20" x 24" & "42" X 24" KO's | Included Cover |
| PBK01-44-56-40-A | Pedestrian Aluminum Cover 44-56-A |
| PBK01-44-56-40-HA | Pedestrian Hinged Aluminum Cover 44-56-HA |
| PBK01-44-56-40-HALT | Light Traffic Rated Hinged Aluminum Cover 44-56-HALT |
| PBK01-44-56-52-A | Pedestrian Aluminum Cover 44-56-A |
| PBK01-44-56-52-HA | Pedestrian Hinged Aluminum Cover 44-56-HA |
| PBK01-44-56-52-HALT | Light Traffic Rated Hinged Aluminum Cover 44-56-HALT |
| PBK01-44-56-64-A | Pedestrian Aluminum Cover 44-56-A |
| PBK01-44-56-64-HA | Pedestrian Hinged Aluminum Cover 44-56-HA |
| PBK01-44-56-64-HALT | Light Traffic Rated Hinged Aluminum Cover 44-56-HALT |



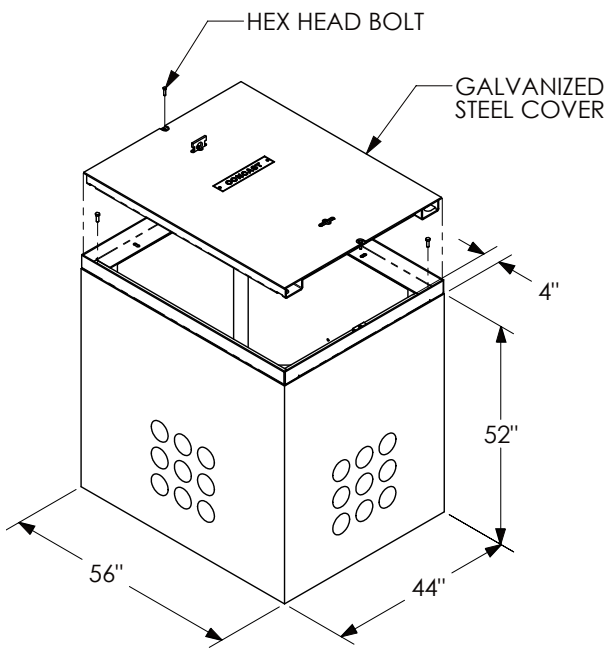
**KO (KNOCKOUT) BOX
PB4-44-56-64-HALT**

Pull Boxes



44 x 56 Heavy Traffic Pull Boxes

| 4" CON-DUCT TERMINATORS ON ALL 4 SIDES - HEAVY TRAFFIC RATED | | | |
|--|---------------------|----------------------|--|
| 4 Con-Ducts | 9 Con-Ducts | 16 Con-Ducts | Included Cover(s) |
| PB4-44-56-40-RSG | PB9-44-56-40-RSG | PB16-44-56-40-RSG | Galvanized Steel (SG) Cover 44-56-RSG |
| PB4-44-56-40-HTP | PB9-44-56-40-HTP | PB16-44-56-40-HTP | 2 Polymer Concrete Covers 44-28-HTP |
| PB4-44-56-40-MH | PB9-44-56-40-MH | PB16-44-56-40-MH | Concrete Cap 44-56-MH w/Cast Iron Frame & Cover CI-32-26 |
| PB4-44-56-40-SPA | PB9-44-56-40-SPA | PB16-44-56-40-SPA | Galv. Steel Spring Assisted Cover 44-56-SPA |
| PB4-44-56-40-SPA-LK | PB9-44-56-40-SPA-LK | PB16-44-56-40-SPA-LK | SG SPA Cover w/Padlock Provision 44-56-SPA-LK |
| PB4-44-56-52-RSG | PB9-44-56-52-RSG | PB16-44-56-52-RSG | Galvanized Steel (SG) Cover 44-56-RSG |
| PB4-44-56-52-HTP | PB9-44-56-52-HTP | PB16-44-56-52-HTP | 2 Polymer Concrete Covers 44-28-HTP |
| PB4-44-56-52-MH | PB9-44-56-52-MH | PB16-44-56-52-MH | Concrete Cap 44-56-MH w/Cast Iron Frame & Cover CI-32-26 |
| PB4-44-56-52-SPA | PB9-44-56-52-SPA | PB16-44-56-52-SPA | Galv. Steel Spring Assisted Cover 44-56-SPA |
| PB4-44-56-52-SPA-LK | PB9-44-56-52-SPA-LK | PB16-44-56-52-SPA-LK | SG SPA Cover w/Padlock Provision 44-56-SPA-LK |
| PB4-44-56-64-RSG | PB9-44-56-64-RSG | PB16-44-56-64-RSG | Galvanized Steel (SG) Cover 44-56-RSG |
| PB4-44-56-64-HTP | PB9-44-56-64-HTP | PB16-44-56-64-HTP | 2 Polymer Concrete Covers 44-28-HTP |
| PB4-44-56-64-MH | PB9-44-56-64-MH | PB16-44-56-64-MH | Concrete Cap 44-56-MH w/Cast Iron Frame & Cover CI-32-26 |
| PB4-44-56-64-SPA | PB9-44-56-64-SPA | PB16-44-56-64-SPA | Galv. Steel Spring Assisted Cover 44-56-SPA |
| PB4-44-56-64-SPA-LK | PB9-44-56-64-SPA-LK | PB16-44-56-64-SPA-LK | SG SPA Cover w/Padlock Provision 44-56-SPA-LK |



**DUCT TERMINATOR BOX
PB9-44-56-52-RSG**

| KNOCKOUTS ON ALL 4 SIDES - HEAVY TRAFFIC RATED | |
|--|--|
| 20" x 24" & "42" X 24" KO's | Included Cover(s) |
| PBKO1-44-56-40-RSG | Galvanized Steel (SG) Cover 44-56-RSG |
| PBKO1-44-56-40-HTP | 2 Polymer Concrete Covers 44-28-HTP |
| PBKO1-44-56-40-MH | Concrete Cap 44-56-MH w/Cast Iron Frame & Cover CI-32-26 |
| PBKO1-44-56-40-SPA | SG Spring Assisted Cover 44-56-SPA |
| PBKO1-44-56-40-SPA-LK | SG SPA Cover w/Padlock Provision 44-56-SPA-LK |
| PBKO1-44-56-52-RSG | Galvanized Steel (SG) Cover 44-56-RSG |
| PBKO1-44-56-52-HTP | 2 Polymer Concrete Covers 44-28-HTP |
| PBKO1-44-56-64-MH | Concrete Cap 44-56-MH w/Cast Iron Frame & Cover CI-32-26 |
| PBKO1-44-56-40-SPA | SG Spring Assisted Cover 44-56-SPA |
| PBKO1-44-56-40-SPA-LK | SG SPA Cover w/Padlock Provision 44-56-SPA-LK |
| PBKO1-44-56-64-RSG | Galvanized Steel (SG) Cover 44-56-RSG |
| PBKO1-44-56-64-HTP | 2 Polymer Concrete Covers 44-28-HTP |
| PBKO1-44-56-64-MH | Concrete Cap 44-56-MH w/Cast Iron Frame & Cover CI-32-26 |

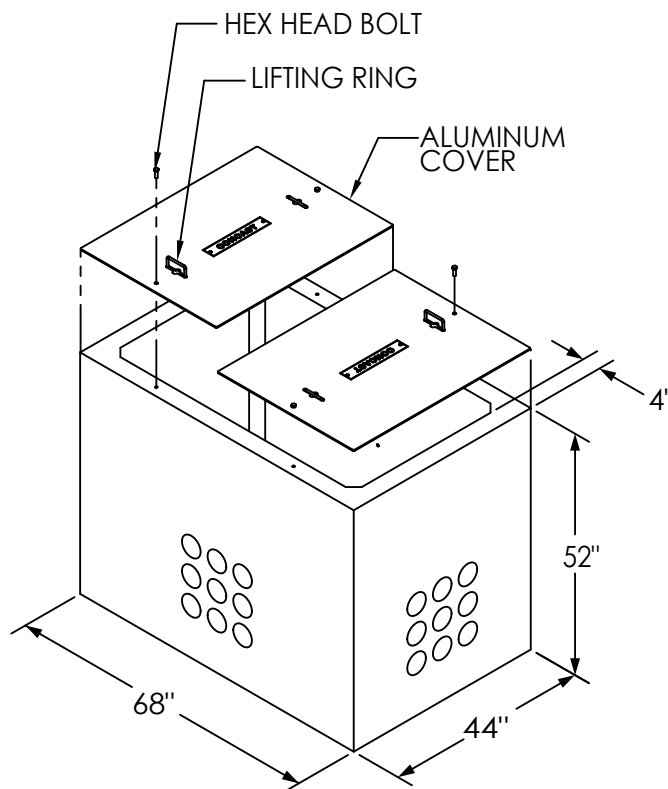
Pull Boxes

44 x 68 Ped & Light Traffic Pull Boxes



| 4" CON-DUCT TERMINATORS ON ALL 4 SIDES - PEDESTRIAN OR LIGHT TRAFFIC RATED | | | |
|--|-------------------|--------------------|---|
| 4 Con-Ducts | 9 Con-Ducts | 16 Con-Ducts | Included Cover |
| PB4-44-68-52-A | PB9-44-68-52-A | PB16-44-68-52-A | Pedestrian Aluminum Cover 44-68-A |
| PB4-44-68-52-HA | PB9-44-68-52-HA | PB16-44-68-52-HA | Pedestrian Hinged Aluminum Cover 44-68-HA |
| PB4-44-68-52-HALT | PB9-44-68-52-HALT | PB16-44-68-52-HALT | Light Traffic Rated Hinged Aluminum Cover 44-68-HALT |
| PB4-44-68-72-A | PB9-44-68-72-A | PB16-44-68-72-A | Pedestrian Aluminum Cover 44-68-A |
| PB4-44-68-72-HA | PB9-44-68-72-HA | PB16-44-68-72-HA | Pedestrian Hinged Aluminum Cover 44-68-HA |
| PB4-44-68-72-HALT | PB9-44-68-72-HALT | PB16-44-68-72-HALT | Light Traffic Rated Hinged Aluminum Cover 44-68-HALT |

| KNOCKOUTS ON ALL 4 SIDES PEDESTRIAN OR LIGHT TRAFFIC RATED | |
|---|---|
| 20" x 24" & "42" X 24" KO's | Included Cover |
| PBKO1-44-68-52-A | Pedestrian Aluminum Cover 44-68-A |
| PBKO1-44-68-52-HA | Pedestrian Hinged Aluminum Cover 44-68-HA |
| PBKO1-44-68-52-HALT | Light Traffic Rated Hinged Aluminum Cover 44-68-HALT |
| PBKO1-44-68-72-A | Pedestrian Aluminum Cover 44-68-A |
| PBKO1-44-68-72-HA | Pedestrian Hinged Aluminum Cover 44-68-HA |
| PBKO1-44-68-72-HALT | Light Traffic Rated Hinged Aluminum Cover 44-68-HALT |



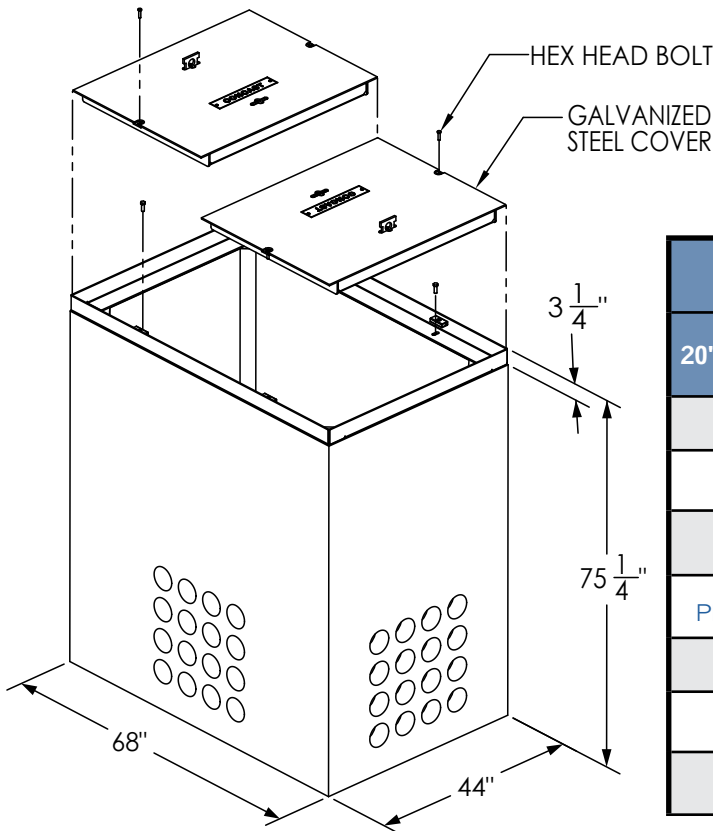
**DUCT TERMINATOR BOX
PB4-44-68-52-A**

Pull Boxes



44 x 68 Heavy Traffic Pull Boxes

| 4" CON-DUCT TERMINATORS ON ALL 4 SIDES - HEAVYTRAFFIC RATED | | | |
|---|---------------------|----------------------|--|
| 4 Con-Ducts | 9 Con-Ducts | 16 Con-Ducts | Included Cover(s) |
| PB4-44-68-52-RSG | PB9-44-68-52-RSG | PB16-44-68-52-RSG | 2 Galvanized Steel Covers 44-34-RSG |
| PB4-44-68-52-MH | PB9-44-68-52-MH | PB16-44-68-52-MH | Concrete Cap 44-68-MH w/Cast Iron Frame & Cover CI-32-26 |
| PB4-44-68-52-SPA | PB9-44-68-52-SPA | PB16-44-68-52-SPA | Galv. Steel Spring Assisted Cover 44-68-SPA |
| PB4-44-68-52-SPA-LK | PB9-44-68-52-SPA-LK | PB16-44-68-52-SPA-LK | Galv. Steel SPA Cover w/Padlock Provision 44-68-SPA-LK |
| PB4-44-68-72-RSG | PB9-44-68-72-RSG | PB16-44-68-72-RSG | 2 Galvanized Steel Covers 44-34-RSG |
| PB4-44-68-72-MH | PB9-44-68-72-MH | PB16-44-68-72-MH | Concrete Cap 44-68-MH w/Cast Iron Frame & Cover CI-32-26 |
| PB4-44-68-72-SPA | PB9-44-68-72-SPA | PB16-44-68-72-SPA | Galv. Steel Spring Assisted Cover 44-68-SPA |
| PB4-44-68-72-SPA-LK | PB9-44-68-72-SPA-LK | PB16-44-68-72-SPA-LK | Galv. Steel SPA Cover w/Padlock Provision 44-68-SPA-LK |



**DUCT TERMINATOR BOX
PB16-44-68-72-RSG**

| KNOCKOUTS ON ALL 4 SIDES PEDESTRIAN OR LIGHT TRAFFIC RATED | |
|---|--|
| 20" x 24" & "42" X 24" KO's | Included Cover(s) |
| PBKO1-44-68-52-RSG | 2 Galvanized Steel Covers 44-34-RSG |
| PBKO1-44-68-52-MH | Concrete Cap 44-68-MH w/Cast Iron Frame & Cover CI-32-26 |
| PBKO1-44-68-52-SPA | Galv. Steel Spring Assisted Cover 44-68-SPA |
| PBKO1-44-68-52-SPA-LK | Galv. Steel SPA Cover w/Padlock Provision 44-68-SPA-LK |
| PBKO1-44-68-72-RSG | 2 Galvanized Steel Covers 44-34-RSG |
| PBKO1-44-68-72-MH | Concrete Cap 44-68-MH w/Cast Iron Frame & Cover CI-32-26 |
| PBKO1-44-68-72-SPA | Galv. Steel Spring Assisted Cover 44-68-SPA |

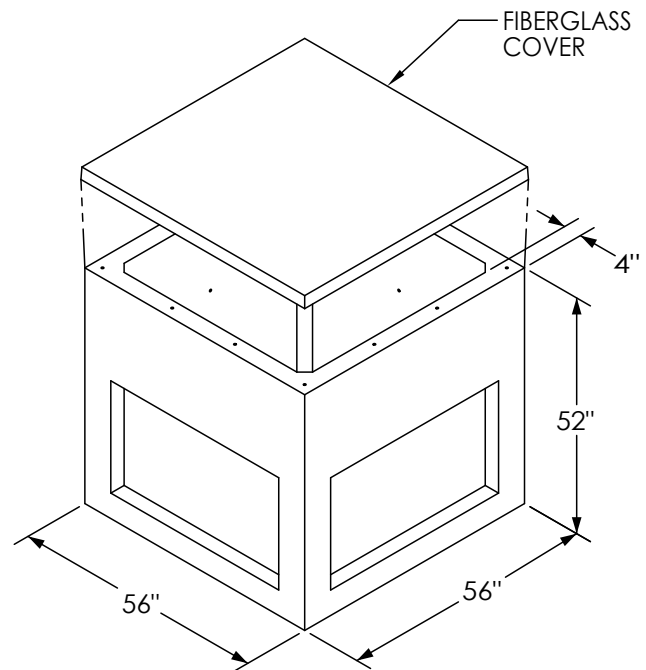
Pull Boxes

56 x 56 Ped & Light Traffic Pull Boxes



| 4" CON-DUCT TERMINATORS ON ALL 4 SIDES - PEDESTRIAN OR LIGHT TRAFFIC RATED | | | |
|--|-------------------|--------------------|--|
| 4 Con-Ducts | 9 Con-Ducts | 16 Con-Ducts | Included Cover |
| PB4-56-56-52-A | PB9-56-56-52-A | PB16-56-56-52-A | Pedestrian Aluminum Cover 56-56-A |
| PB4-56-56-52-HA | PB9-56-56-52-HA | PB16-56-56-52-HA | Pedestrian Hinged Aluminum Cover 56-56-HA Or 56-56-HA-LF Lay-Flat Cover |
| PB4-56-56-52-HALT | PB9-56-56-52-HALT | PB16-56-56-52-HALT | Light Traffic Rated Hinged Aluminum Cover 56-56-HALT |
| PB4-56-56-52-FG | PB9-56-56-52-FG | PB16-56-56-52-FG | Pedestrian Fiberglass Cover 56-56-FG |
| PB4-56-56-72-A | PB9-56-56-72-A | PB16-56-56-72-A | Pedestrian Aluminum Cover 56-56-A |
| PB4-56-56-72-HA | PB9-56-56-72-HA | PB16-56-56-72-HA | Pedestrian Hinged Aluminum Cover 56-56-HA Or 56-56-HA-LF Lay-Flat Cover |
| PB4-56-56-72-HALT | PB9-56-56-72-HALT | PB16-56-56-72-HALT | Light Traffic Rated Hinged Aluminum Cover 56-56-HALT |
| PB4-56-56-72-FG | PB9-56-56-72-FG | PB16-56-56-72-FG | Pedestrian Fiberglass Cover 56-56-FG |

| KNOCKOUTS ON ALL 4 SIDES PEDESTRIAN OR LIGHT TRAFFIC RATED | |
|---|---|
| 42" X 24" KO's | Included Cover(s) |
| PBKO1-56-56-52-A | Pedestrian Aluminum Cover 56-56-A |
| PBKO1-56-56-52-HA | Pedestrian Hinged Aluminum Cover 56-56-HA Or 56-56-HA-LF Lay-Flat Cover |
| PBKO1-56-56-52-HALT | Light Traffic Rated Hinged Aluminum Cover 56-56-HALT |
| PBKO1-56-56-52-FG | Pedestrian Fiberglass Cover 56-56-FG |
| PBKO1-56-56-72-A | Pedestrian Aluminum Cover 56-56-A |
| PBKO1-56-56-72-HA | Pedestrian Hinged Aluminum Cover 56-56-HA Or 56-56-HA-LF Lay-Flat Cover |
| PBKO1-56-56-72-HALT | Light Traffic Rated Hinged Aluminum Cover 56-56-HALT |
| PBKO1-56-56-52-FG | Pedestrian Fiberglass Cover 56-56-FG |



**KO (KNOCKOUT) BOX
PBKO1-56-56-56-52-FG**

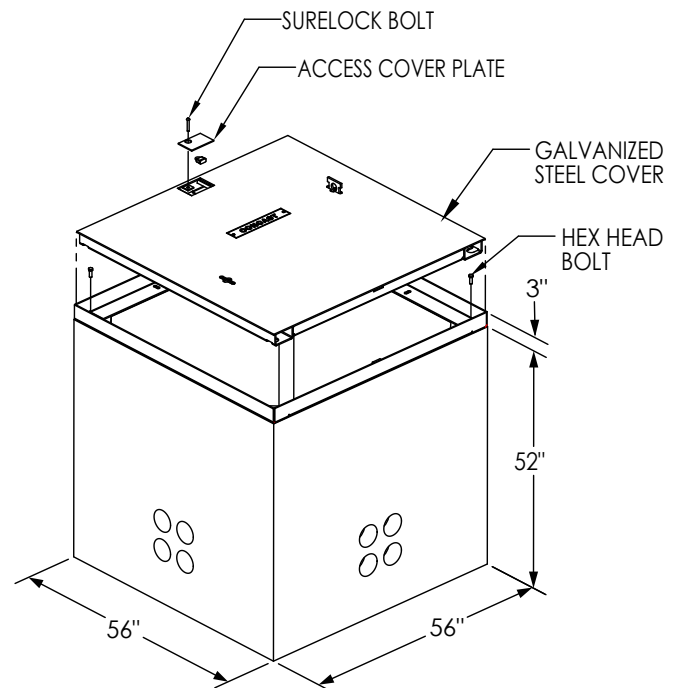
Pull Boxes



56 x 56 Heavy Traffic Pull Boxes

| 4" CON-DUCT TERMINATORS ON ALL 4 SIDES - HEAVY TRAFFIC RATED | | | |
|--|---------------------|----------------------|---|
| 4 Con-Ducts | 9 Con-Ducts | 16 Con-Ducts | Included Cover |
| PB4-56-56-52-RSG | PB9-56-56-52-RSG | PB16-56-56-52-RSG | Galvanized Steel Cover 56-56-RSG |
| PB4-56-56-52-RSGSLP | PB9-56-56-52-RSGSLP | PB16-56-56-52-RSGSLP | Galv. Steel Cover w/Padlock Provision 56-56-RSGSLP |
| PB4-56-56-52-MH | PB9-56-56-52-MH | PB16-56-56-52-MH | Concrete Cap 56-56-MH w/Cast Iron Frame & Cover CI-38-32 |
| PB4-56-56-52-SA | PB9-56-56-52-SA | PB16-56-56-52-SA | Concrete Cap w/Galv. Steel Spring Assisted Cover 56-56-SA |
| PB4-56-56-52-SPA | PB9-56-56-52-SPA | PB16-56-56-52-SPA | Galv. Steel Spring Assisted Cover 56-56-SPA |
| PB4-56-56-52-SPA-LK | PB9-56-56-52-SPA-LK | PB16-56-56-52-SPA-LK | Galv. Steel SPA Cover w/Padlock Provision 56-56-SPA-LK |
| PB4-56-56-72-RSG | PB9-56-56-72-RSG | PB16-56-56-72-RSG | Galvanized Steel Cover 56-56-RSG |
| PB4-56-56-72-RSGSLP | PB9-56-56-72-RSGSLP | PB16-56-56-72-RSGSLP | Galv. Steel Cover w/Padlock Provision 56-56-RSGSLP |
| PB4-56-56-72-MH | PB9-56-56-72-MH | PB16-56-56-72-MH | Concrete Cap 56-56-MH w/Cast Iron Frame & Cover CI-38-32 |
| PB4-56-56-72-SA | PB9-56-56-72-SA | PB16-56-56-72-SA | Concrete Cap w/Galv. Steel Spring Assisted Cover 56-56-SA |
| PB4-56-56-72-SPA | PB9-56-56-72-SPA | PB16-56-56-72-SPA | Galv. Steel Spring Assisted Cover 56-56-SPA |
| PB4-56-56-72-SPA-LK | PB9-56-56-72-SPA-LK | PB16-56-56-72-SPA-LK | Galv. Steel SPA Cover w/Padlock Provision 56-56-SPA-LK |

| KNOCKOUTS ON ALL 4 SIDES PEDESTRIAN OR LIGHT TRAFFIC RATED | |
|---|---|
| 42" X 24" KO's | Included Cover(s) |
| PBKO1-56-56-52-RSG | Galvanized Steel Cover 56-56-RSG |
| PBKO1-56-56-52-RSGSLP | Galvanized Steel Cover w/Padlock Provision 56-56-RSGSLP |
| PBKO1-56-56-52-MH | Concrete Cap 56-56-MH w/Cast Iron Frame & Cover CI-38-32 |
| PBKO1-56-56-52-SA | Concrete Cap w/Galv. Steel Spring Assisted Cover 56-56-SA |
| PBKO1-56-56-52-SPA | Galv. Steel Spring Assisted Cover 56-56-SPA |
| PBKO1-56-56-52-SPA-LK | Galv. Steel SPA Cover w/Padlock Provision 56-56-SPA-LK |
| PBKO1-56-56-72-RSG | Galvanized Steel Cover 56-56-RSG |
| PBKO1-56-56-72-RSGSLP | Galvanized Steel Cover w/Padlock Provision 56-56-RSGSLP |
| PBKO1-56-56-72-MH | Concrete Cap 56-56-MH w/Cast Iron Frame & Cover CI-38-32 |
| PBKO1-56-56-72-SA | Concrete Cap w/Galv. Steel Spring Assisted Cover 56-56-SA |
| PBKO1-56-56-72-SPA | Galv. Steel Spring Assisted Cover 56-56-SPA |
| PBKO1-56-56-72-SPA-LK | Galv. Steel SPA Cover w/Padlock Provision 56-56-SPA-LK |



**DUCT TERMINATOR BOX
PB4-56-56-52-RSGSLP**

Pull Boxes

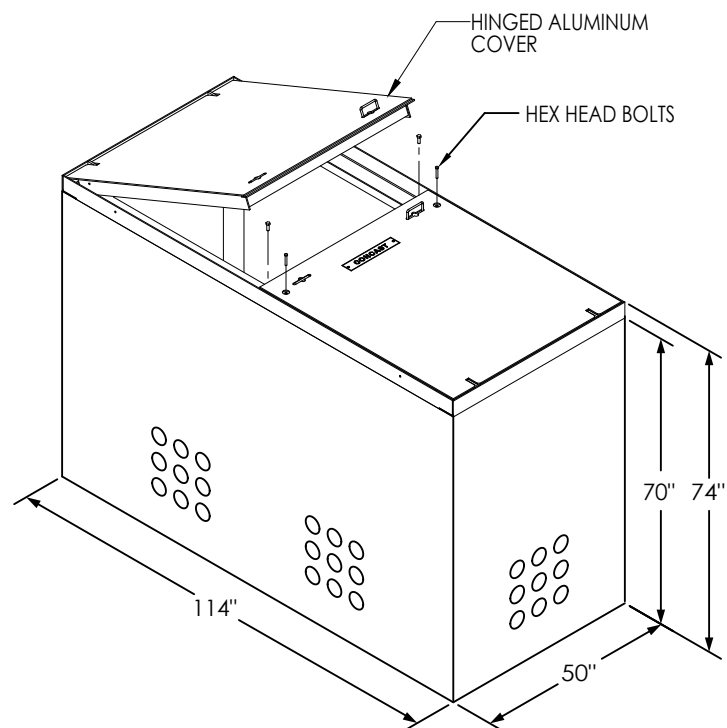
Pull Boxes

50 X 114 Ped & Light Traffic Pull Boxes



| 4" & 6" CON-DUCT TERMINATORS ON ALL 4 SIDES - PEDESTRIAN OR LIGHT TRAFFIC RATED | | |
|---|---|---|
| 9 Con-Ducts | 16 Con-Ducts | Included Cover(s) |
| PB9-50-114-48-A PB96-50-114-48-A | PB16-50-114-48-A PB166-50-114-48-A | 3 Pedestrian Aluminum Covers 50-38-A & 50-38-A-CTR |
| PB9-50-114-48-HA PB96-50-114-48-HA | PB16-50-114-48-HA PB166-50-114-48-HA | Pedestrian Hinged Aluminum Cover 50-114-HA |
| PB9-50-114-48-HALT PB96-50-114-48-HALT | PB16-50-114-48-HALT PB166-50-114-48-HALT | Light Traffic Rated Hinged Aluminum Cover 50-114-HALT |
| PB9-50-114-70-A PB96-50-114-70-A | PB16-50-114-70-A PB166-50-114-70-A | 3 Pedestrian Aluminum Covers 50-38-A & 50-38-A-CTR |
| PB9-50-114-70-HA PB96-50-114-70-HA | PB16-50-114-70-HA PB166-50-114-70-HA | Pedestrian Hinged Aluminum Cover 50-114-HA |
| PB9-50-114-70-HALT PB96-50-114-70-HALT | PB16-50-114-70-HALT PB166-50-114-70-HALT | Light Traffic Rated Hinged Aluminum Cover 50-114-HALT |

| KNOCKOUTS ON ALL 4 SIDES PEDESTRIAN OR LIGHT TRAFFIC RATED | |
|---|---|
| 20" x 24" & "42" X 24" KO's | Included Cover(s) |
| PBKO1-50-114-48-A | 3 Pedestrian Aluminum Covers 50-38-A & 50-38-A-CTR |
| PBKO1-50-114-48-HA | Pedestrian Hinged Aluminum Cover 50-114-HA |
| PBKO1-50-114-48-HALT | Light Traffic Rated Hinged Aluminum Cover 50-114-HALT |
| PBKO1-50-114-70-A | 3 Pedestrian Aluminum Covers 50-38-A & 50-38-A-CTR |
| PBKO1-50-114-70-HA | Pedestrian Hinged Aluminum Cover 50-114-HA |
| PBKO1-50-114-70-HALT | Light Traffic Rated Hinged Aluminum Cover 50-114-HALT |



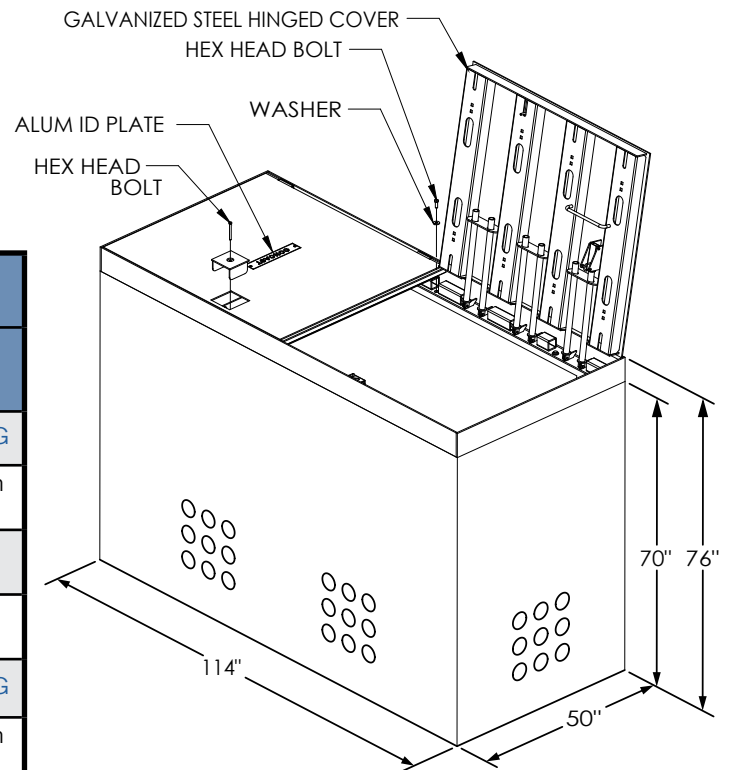
**DUCT TERMINATOR BOX
PB9-50-114-70-HA**

Pull Boxes



50 X 114 Heavy Traffic Pull Boxes

| 4" OR 6" CON-DUCT TERMINATORS ON ALL 4 SIDES - HEAVY TRAFFIC RATED | | |
|--|---|---|
| 9 Con-Ducts | 16 Con-Ducts | Included Cover(s) |
| PB9-50-114-48-RSG PB96-50-114-48-RSG | PB16-50-114-48-RSG PB166-50-114-48-RSG | 3 Galvanized Steel Covers 50-38-RSG |
| PB9-50-114-48-MH PB96-50-114-48-MH | PB16-50-114-48-MH PB166-50-114-48-MH | Concrete Cap 50-114-MH w/Cast Iron Frame & Cover CI-38-32 |
| PB9-50-114-48-SA PB96-50-114-48-SA | PB16-50-114-48-SA PB166-50-114-48-SA | Concrete Cap w/Galv Steel Spring Assisted Cover 50-114-SA |
| PB9-50-114-48-SPA PB96-50-114-48-SPA | PB16-50-114-48-SPA PB166-50-114-48-SPA | Galv. Steel Spring Assisted Cover 50-114-SPA |
| PB9-50-114-70-RSG PB96-50-114-70-RSG | PB16-50-114-70-RSG PB166-50-114-70-RSG | 3 Galvanized Steel Covers 50-38-RSG |
| PB9-50-114-70-MH PB96-50-114-70-MH | PB16-50-114-70-MH PB166-50-114-70-MH | Concrete Cap 50-114-MH w/Cast Iron Frame & Cover CI-38-32 |
| PB9-50-114-70-SA PB96-50-114-70-SA | PB16-50-114-70-SA PB166-50-114-70-SA | Concrete Cap w/Galv Steel Spring Assisted Cover 50-114-SA |
| PB9-50-114-70-SPA PB96-50-114-70-SPA | PB16-50-114-70-SPA PB166-50-114-70-SPA | Galv. Steel Spring Assisted Cover 50-114-SPA |



| KNOCKOUTS ON ALL 4 SIDES PEDESTRIAN OR LIGHT TRAFFIC RATED | |
|---|---|
| 20" x 24" & "42" X 24" KO's | Included Cover(s) |
| PBKO1-50-114-48-RSG | 3 Galvanized Steel Covers 50-38-RSG |
| PBKO1-50-114-48-MH | Concrete Cap 50-114-MH w/Cast Iron Frame & Cover CI-38-32 |
| PBKO1-50-114-48-SA | Concrete Cap w/Galv Steel Spring Assisted Cover 50-114-SA |
| PBKO1-50-114-48-SPA | Galv. Steel Spring Assisted Cover 50-114-SPA |
| PBKO1-50-114-70-RSG | 3 Galvanized Steel Covers 50-38-RSG |
| PBKO1-50-114-70-MH | Concrete Cap 50-114-MH w/Cast Iron Frame & Cover CI-38-32 |
| PBKO1-50-114-70-SA | Concrete Cap w/Galv Steel Spring Assisted Cover 50-114-SA |
| PBKO1-50-114-70-SPA | Galv. Steel Spring Assisted Cover 50-114-SPA |

**DUCT TERMINATOR BOX
PB9-50-114-70-SPA**

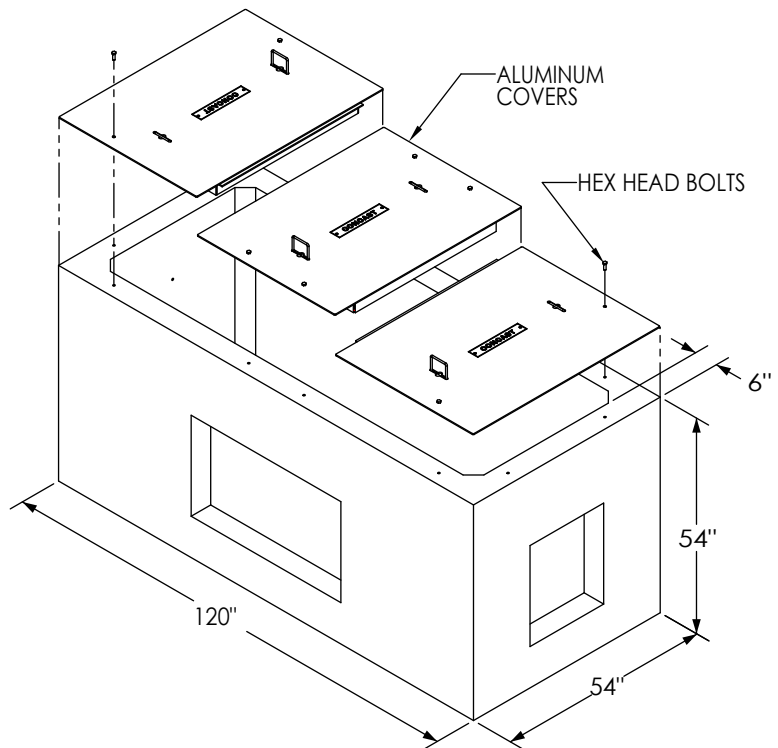
Pull Boxes

54 X 120 Ped & Light Traffic Pull Boxes



| 4" & 6" CON-DUCT TERMINATORS ON ALL 4 SIDES - PEDESTRIAN OR LIGHT TRAFFIC RATED | | |
|---|---|---|
| 9 Con-Ducts | 16 Con-Ducts | Included Cover(s) |
| PB9-54-120-54-A PB96-54-120-54-A | PB16-54-120-54-A PB166-54-120-54-A | 3 Pedestrian Aluminum Covers 54-40-A & 54-40-A-CTR |
| PB9-54-120-54-HA PB96-54-120-54-HA | PB16-54-120-54-HA PB166-54-120-54-HA | Pedestrian Hinged Aluminum Cover 54-120-HA |
| PB9-54-120-54-HALT PB96-54-120-54-HALT | PB16-54-120-54-HALT PB166-54-120-54-HALT | Light Traffic Rated Hinged Aluminum Cover 54-120-HALT |

| KNOCKOUTS ON ALL 4 SIDES PEDESTRIAN OR LIGHT TRAFFIC RATED | |
|---|---|
| 20" x 24" & "42" X 24" KO's | Included Cover(s) |
| PBKO1-54-120-54-A | 3 Pedestrian Aluminum Covers 54-40-A & 54-40-A-CTR |
| PBKO1-54-120-54-HA | Pedestrian Hinged Aluminum Cover 54-120-HA |
| PBKO1-54-120-54-HALT | Light Traffic Rated Hinged Aluminum Cover 54-120-HALT |



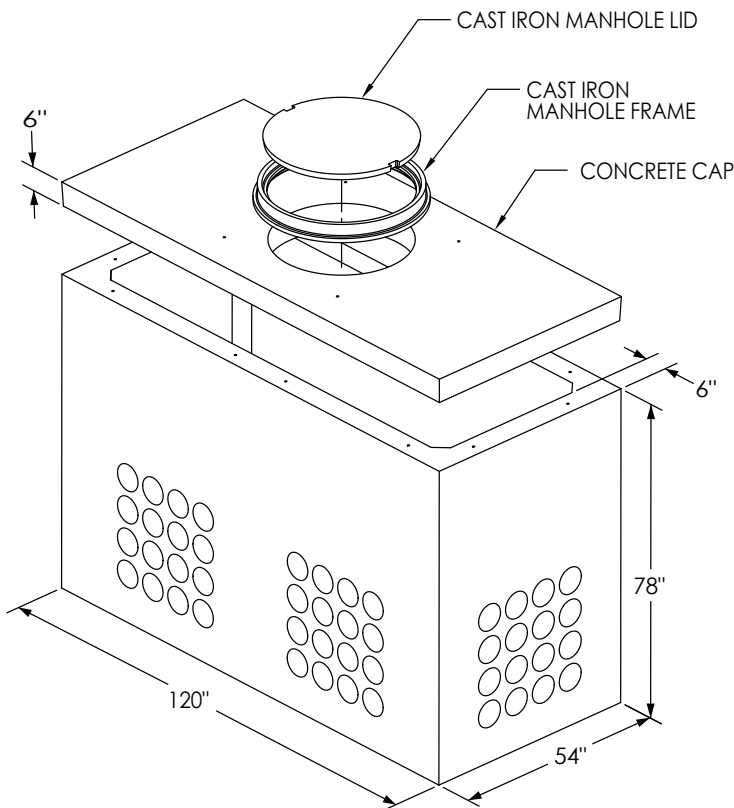
**KO (KNOCKOUT) BOX
PBKO1-54-120-54-A**

Pull Boxes



54 X 120 Heavy Traffic Pull Boxes

| 4" OR 6" CON-DUCT TERMINATORS ON ALL 4 SIDES - HEAVY TRAFFIC RATED | | |
|--|---|---|
| 9 Con-Ducts | 16 Con-Ducts | Included Cover(s) |
| PB9-54-120-54-RSG PB96-54-120-54-RSG | PB16-54-120-54-RSG PB166-54-120-54-RSG | 3 Galvanized Steel Covers 54-40-RSG |
| PB9-54-120-54-MH PB96-54-120-54-MH | PB16-54-120-54-MH PB166-54-120-54-MH | Concrete Cap 54-120-MH w/Cast Iron Frame & Cover CI-38-32 |
| PB9-54-120-54-SA PB96-54-120-54-SA | PB16-54-120-54-SA PB166-54-120-54-SA | Concrete Cap w/Galv Steel Spring Assisted Cover 54-120-SA |
| PB9-54-120-54-SPA PB96-54-120-54-SPA | PB16-54-120-54-SPA PB166-54-120-54-SPA | Galv. Steel Spring Assisted Cover 54-120-SPA |



**DUCT TERMINATOR BOX
PB166-54-120-78-MH**

| KNOCKOUTS ON ALL 4 SIDES PEDESTRIAN OR LIGHT TRAFFIC RATED | |
|---|---|
| 20" x 24" & "42" X 24" KO's | Included Cover(s) |
| PBK01-54-120-54-RSG | 3 Galvanized Steel Covers 54-40-RSG |
| PBK01-54-120-54-MH | Concrete Cap 54-120-MH w/Cast Iron Frame & Cover CI-38-32 |
| PBK01-54-120-54-SA | Concrete Cap w/Galv Steel Spring Assisted Cover 54-120-SA |
| PBK01-54-120-54-SPA | Galv. Steel Spring Assisted Cover 54-120-SPA |

Pull Boxes

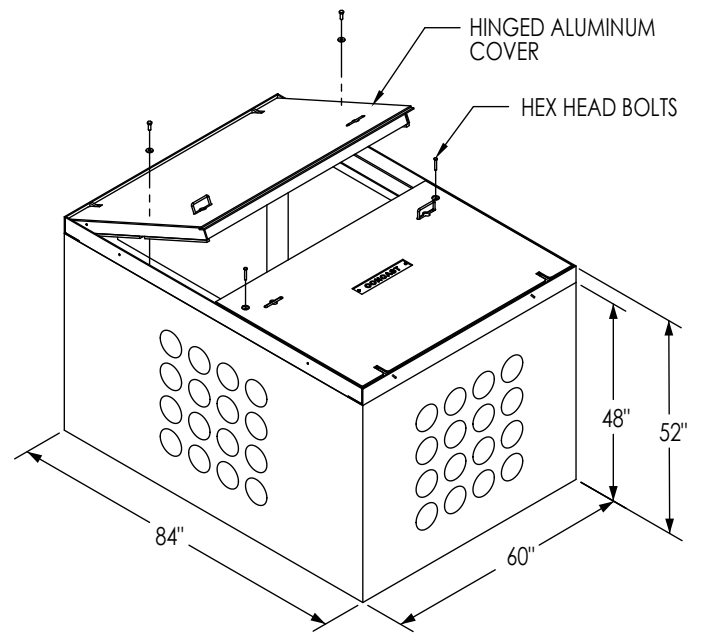
Pull Boxes

60 X 84 Ped & Light Traffic Pull Boxes



| 4" & 6" CON-DUCT TERMINATORS ON ALL 4 SIDES - PEDESTRIAN OR LIGHT TRAFFIC RATED | | |
|---|---|--|
| 9 Con-Ducts | 16 Con-Ducts | Included Cover(s) |
| PB9-60-84-48-A PB96-60-84-48-A | PB16-60-84-48-A PB166-60-84-48-A | 2 Pedestrian Aluminum Covers 60-42-A |
| PB9-60-84-48-HA PB96-60-84-48-HA | PB16-60-84-48-HA PB166-60-84-48-HA | Pedestrian Hinged Aluminum Cover 60-84-HA |
| PB9-60-84-48-HALT PB96-60-84-48-HALT | PB16-60-84-48-HALT PB166-60-84-48-HALT | Light Traffic Rated Hinged Aluminum Cover 60-84-HALT |
| PB9-60-84-72-A PB96-60-84-72-A | PB16-60-84-72-A PB166-60-84-72-A | 2 Pedestrian Aluminum Covers 60-42-A |
| PB9-60-84-72-HA PB96-60-84-72-HA | PB16-60-84-72-HA PB166-60-84-72-HA | Pedestrian Hinged Aluminum Cover 60-84-HA |
| PB9-60-84-72-HALT PB96-60-84-72-HALT | PB16-60-84-72-HALT PB166-60-84-72-HALT | Light Traffic Rated Hinged Aluminum Cover 60-84-HALT |

| KNOCKOUTS ON ALL 4 SIDES PEDESTRIAN OR LIGHT TRAFFIC RATED | |
|---|--|
| 42" X 24" KO's | Included Cover(s) |
| PBKO1-60-84-48-A | 2 Pedestrian Aluminum Covers 60-42-A |
| PBKO1-60-84-48-HA | Pedestrian Hinged Aluminum Cover 60-84-HA |
| PBKO1-60-84-48-HALT | Light Traffic Rated Hinged Aluminum Cover 60-84-HALT |
| PBKO1-60-84-72-A | 2 Pedestrian Aluminum Covers 60-42-A |
| PBKO1-60-84-72-HA | Pedestrian Hinged Aluminum Cover 60-84-HA |
| PBKO1-60-84-72-HALT | Light Traffic Rated Hinged Aluminum Cover 60-84-HALT |



**DUCT TERMINATOR BOX
PB166-60-84-48-HALT**

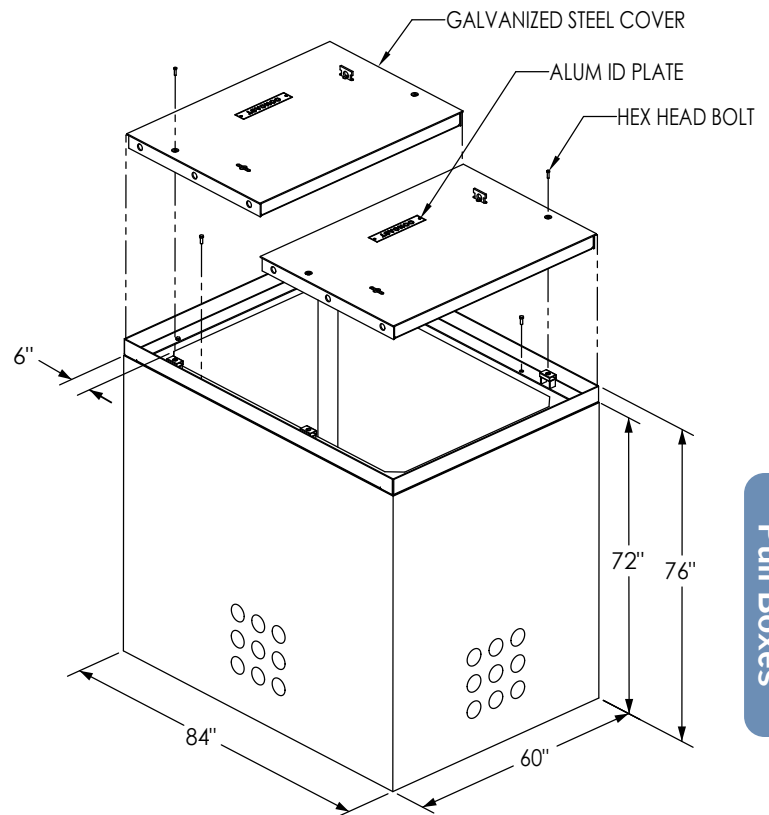
Pull Boxes



60 X 84 Heavy Traffic Pull Boxes

| 4" OR 6" CON-DUCT TERMINATORS ON ALL 4 SIDES - HEAVY TRAFFIC RATED | | |
|--|---|--|
| 9 Con-Ducts | 16 Con-Ducts | Included Cover(s) |
| PB9-60-84-48-RSG PB96-60-84-48-RSG | PB16-60-84-48-RSG PB166-60-84-48-RSG | 2 Galvanized Steel Covers 60-42-RSG |
| PB9-60-84-48-MH PB96-60-84-48-MH | PB16-60-84-48-MH PB166-60-84-48-MH | Concrete Cap 60-84-MH w/Cast Iron Frame & Cover CI-38-32 |
| PB9-60-84-48-SA PB96-60-84-48-SA | PB16-60-84-48-SA PB166-60-84-48-SA | Concrete Cap w/Galv Steel Spring Assisted Cover 60-84-SA |
| PB9-60-84-48-SPA PB96-60-84-48-SPA | PB16-60-84-48-SPA PB166-60-84-48-SPA | Galv. Steel Spring Assisted Cover 60-84-SPA |
| PB9-60-84-72-RSG PB96-60-84-72-RSG | PB16-60-84-72-RSG PB166-60-84-72-RSG | 2 Galvanized Steel Covers 60-42-RSG |
| PB9-60-84-72-MH PB96-60-84-72-MH | PB16-60-84-72-MH PB166-60-84-72-MH | Concrete Cap 60-84-MH w/Cast Iron Frame & Cover CI-38-32 |
| PB9-60-84-72-SA PB96-60-84-72-SA | PB16-60-84-72-SA PB166-60-84-72-SA | Concrete Cap w/Galv Steel Spring Assisted Cover 60-84-SA |
| PB9-60-84-72-SPA PB96-60-84-72-SPA | PB16-60-84-72-SPA PB166-60-84-72-SPA | Galv. Steel Spring Assisted Cover 60-84-SPA |

| KNOCKOUTS ON ALL 4 SIDES PEDESTRIAN OR LIGHT TRAFFIC RATED | |
|---|--|
| 42" X 24" KO's | Included Cover(s) |
| PBKO1-60-84-48-RSG | 2 Galvanized Steel Covers 60-42-RSG |
| PBKO1-60-84-48-MH | Concrete Cap 60-84-MH w/Cast Iron Frame and Cover CI-38-32 |
| PBKO1-60-84-48-SA | Concrete Cap w/Galv Steel Spring Assisted Cover 60-84-SA |
| PBKO1-60-84-48-SPA | Galv. Steel Spring Assisted Cover 60-84-SPA |
| PBKO1-60-84-72-RSG | 2 Galvanized Steel Covers 60-42-RSG |
| PBKO1-60-84-72-MH | Concrete Cap 60-84-MH w/Cast Iron Frame and Cover CI-38-32 |
| PBKO1-60-84-72-SA | Concrete Cap w/Galv Steel Spring Assisted Cover 60-84-SA |
| PBKO1-60-84-72-SPA | Galv. Steel Spring Assisted Cover 60-84-SPA |



**DUCT TERMINATOR BOX
PB9-60-84-72-RSG**

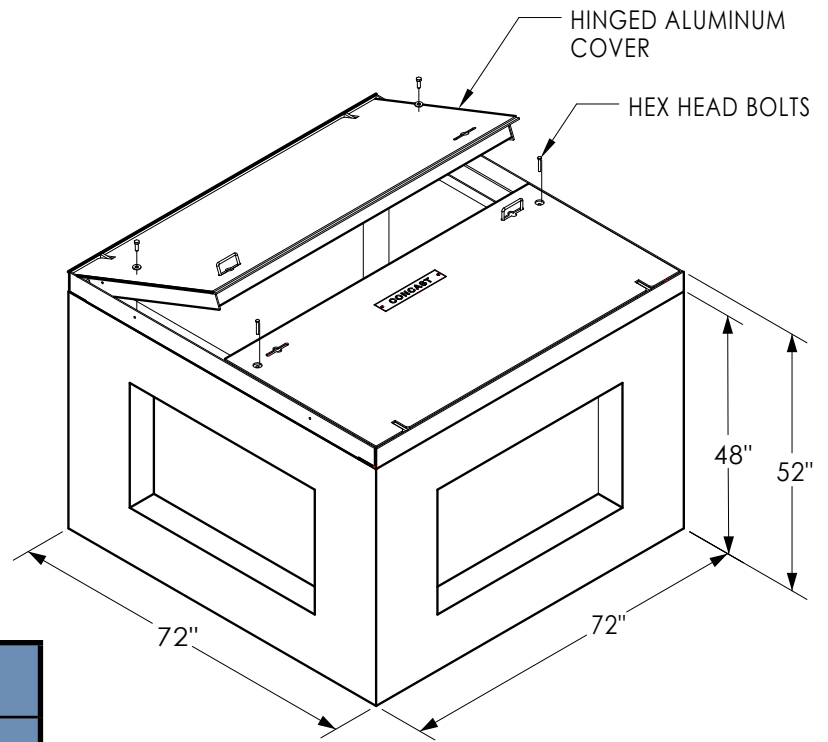
Pull Boxes

Pull Boxes

72 X 72 Ped & Light Traffic Pull Boxes



| 4" & 6" CON-DUCT TERMINATORS ON ALL 4 SIDES - PEDESTRIAN OR LIGHT TRAFFIC RATED | | |
|---|---------------------------------------|---|
| 9 Con-Ducts | 16 Con-Ducts | Included Cover(s) |
| PB9-72-72-48-A PB96-72-72-48-A | PB16-72-72-48-A PB166-72-72-48-A | 2 Pedestrian Aluminum Covers 72-36-A |
| PB9-72-72-48-HA PB96-72-72-48-HA | PB16-72-72-48-HA PB166-72-72-48-HA | Pedestrian Hinged Aluminum Cover 72-72-HA |
| PB9-72-72-72-A PB96-72-72-72-A | PB16-72-72-72-A PB166-72-72-72-A | 2 Pedestrian Aluminum Covers 72-36-A |
| PB9-72-72-72-HA PB96-72-72-72-HA | PB16-72-72-72-HA PB166-72-72-72-HA | Pedestrian Hinged Aluminum Cover 72-72-HA |



**KO (KNOCKOUT) BOX
PBK01-72-72-48-HA**

| KNOCKOUTS ON ALL 4 SIDES PEDESTRIAN OR LIGHT TRAFFIC RATED | |
|---|---|
| 42" X 24" KO's | Included Cover(s) |
| PBK01-72-72-48-A | 2 Pedestrian Aluminum Covers 72-36-A |
| PBK01-72-72-48-HA | Pedestrian Hinged Aluminum Cover 72-72-HA |
| PBK01-72-72-72-A | 2 Pedestrian Aluminum Covers 72-36-A |
| PBK01-72-72-72-HA | Pedestrian Hinged Aluminum Cover 72-72-HA |

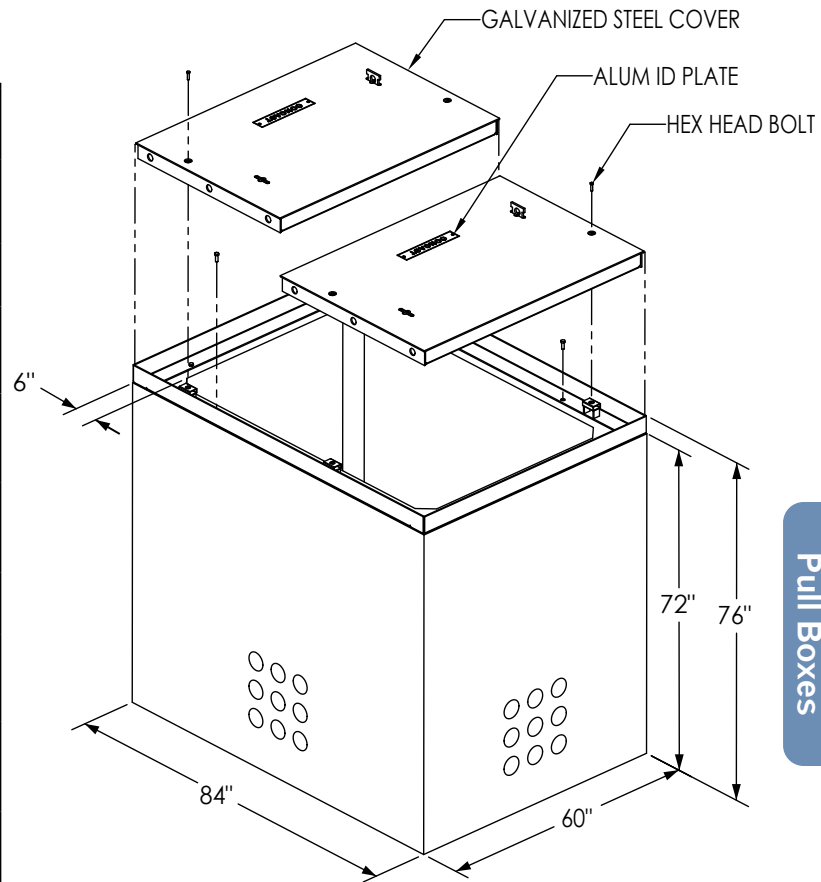
Pull Boxes



72 X 72 Heavy Traffic Pull Boxes

| 4" OR 6" CON-DUCT TERMINATORS ON ALL 4 SIDES - HEAVY TRAFFIC RATED | | |
|--|---|--|
| 9 Con-Ducts | 16 Con-Ducts | Included Cover(s) |
| PB9-72-72-48-RSG PB96-72-72-48-RSG | PB16-72-72-48-RSG PB166-72-72-48-RSG | 2 Galvanized Steel Covers 72-36-RSG |
| PB9-72-72-48-SA PB96-72-72-48-SA | PB16-72-72-48-SA PB166-72-72-48-SA | Concrete Cap w/Galv Steel Spring Assisted Cover 72-72-SA |
| PB9-72-72-48-SPA PB96-72-72-48-SPA | PB16-72-72-48-SPA PB166-72-72-48-SPA | Galv. Steel Spring Assisted Cover 72-72-SPA |
| PB9-72-72-48-MH PB96-72-72-48-MH | PB16-72-72-48-MH PB166-72-72-48-MH | Concrete Cap 72-72-MH w/Cast Iron Frame & Cover CI-38-32 |
| PB9-72-72-72-RSG PB96-72-72-72-RSG | PB16-72-72-72-RSG PB166-72-72-72-RSG | 2 Galvanized Steel Covers 72-36-RSG |
| PB9-72-72-72-SA PB96-72-72-72-SA | PB16-72-72-72-SA PB166-72-72-72-SA | Concrete Cap w/Galv Steel Spring Assisted Cover 72-72-SA |
| PB9-72-72-72-SPA PB96-72-72-72-SPA | PB16-72-72-72-SPA PB166-72-72-72-SPA | Galv. Steel Spring Assisted Cover 72-72-SPA |
| PB9-72-72-72-MH PB96-72-72-72-MH | PB16-72-72-72-MH PB166-72-72-72-MH | Concrete Cap 72-72-MH w/Cast Iron Frame & Cover CI-38-32 |

| KNOCKOUTS ON ALL 4 SIDES PEDESTRIAN OR LIGHT TRAFFIC RATED | |
|---|--|
| 42" X 24" KO's | Included Cover(s) |
| PBKO1-72-72-48-RSG | 2 Galvanized Steel Covers 72-36-RSG |
| PBKO1-72-72-48-MH | Concrete Cap 72-72-MH w/Cast Iron Frame and Cover CI-38-32 |
| PBKO1-72-72-48-SA | Concrete Cap w/Galv Steel Spring Assisted Cover 72-72-SA |
| PBKO1-72-72-48-SPA | Galvanized Steel Spring Assisted Cover 72-72-SPA |
| PBKO1-72-72-72-RSG | 2 Galvanized Steel Covers 72-36-RSG |
| PBKO1-72-72-72-MH | Concrete Cap 72-72-MH w/Cast Iron Frame and Cover CI-38-32 |
| PBKO1-72-72-72-SA | Concrete Cap w/Galv Steel Spring Assisted Cover 72-72-SA |
| PBKO1-72-72-72-SPA | Galvanized Steel Spring Assisted Cover 72-72-SPA |



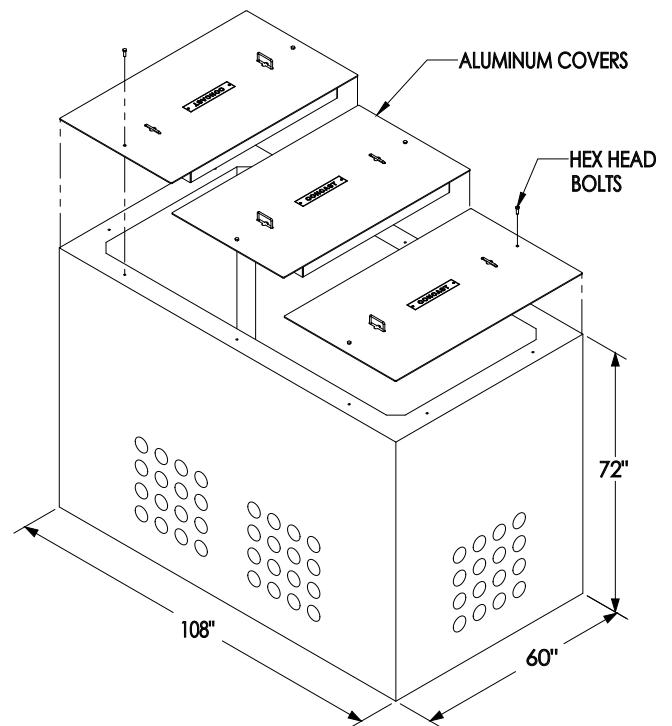
Pull Boxes

DUCT TERMINATOR BOX
PB9-72-72-72-RSG Pull Boxes

60 X 108 Ped & Light Traffic



| 4" & 6" CON-DUCT TERMINATORS ON ALL 4 SIDES - PEDESTRIAN OR LIGHT TRAFFIC RATED | | |
|---|---|--|
| 9 Con-Ducts | 16 Con-Ducts | Included Cover(s) |
| PB9-60-108-48-A PB96-60-108-48-A | PB16-60-108-48-A PB166-60-108-48-A | 3 Pedestrian Aluminum Covers 60-36-A & 60-36-A-CTR |
| PB9-60-108-48-HA PB96-60-108-48-HA | PB16-60-108-48-HA PB166-60-108-48-HA | Pedestrian Hinged Aluminum Cover 60-108-HA |
| PB9-60-108-48-HALT PB96-60-108-48-HALT | PB16-60-108-48-HALT PB166-60-108-48-HALT | Light Traffic Rated Hinged Aluminum Cover 60-108-HALT |
| PB9-60-108-72-A PB96-60-108-72-A | PB16-60-108-72-A PB166-60-108-72-A | 3 Pedestrian Aluminum Covers 60-36-A & 60-36-A-CTR |
| PB9-60-108-72-HA PB96-60-108-72-HA | PB16-60-108-72-HA PB166-60-108-72-HA | Pedestrian Hinged Aluminum Cover 60-108-HA |
| PB9-60-108-72-HALT PB96-60-108-72-HALT | PB16-60-108-72-HALT PB166-60-108-72-HALT | Light Traffic Rated Hinged Aluminum Cover 60-108-HALT |



**DUCT TERMINATOR BOX
PB16-60-108-72-A**

| KNOCKOUTS ON ALL 4 SIDES PEDESTRIAN OR LIGHT TRAFFIC RATED | |
|---|--|
| 42" X 24" KO's | Included Cover(s) |
| PBKO1-60-108-48-A | 3 Pedestrian Aluminum Covers 60-36-A & 60-36-A-CTR |
| PBKO1-60-108-48-HA | Pedestrian Hinged Aluminum Cover 60-108-HA |
| PBKO1-60-108-48-HALT | Light Traffic Rated Hinged Aluminum Cover 60-108-HALT |
| PBKO1-60-108-72-A | 3 Pedestrian Aluminum Covers 60-36-A & 60-36-A-CTR |
| PBKO1-60-108-72-HA | Pedestrian Hinged Aluminum Cover 60-108-HA |
| PBKO1-60-108-72-HALT | Light Traffic Rated Hinged Aluminum Cover 60-108-HALT |

Pull Boxes

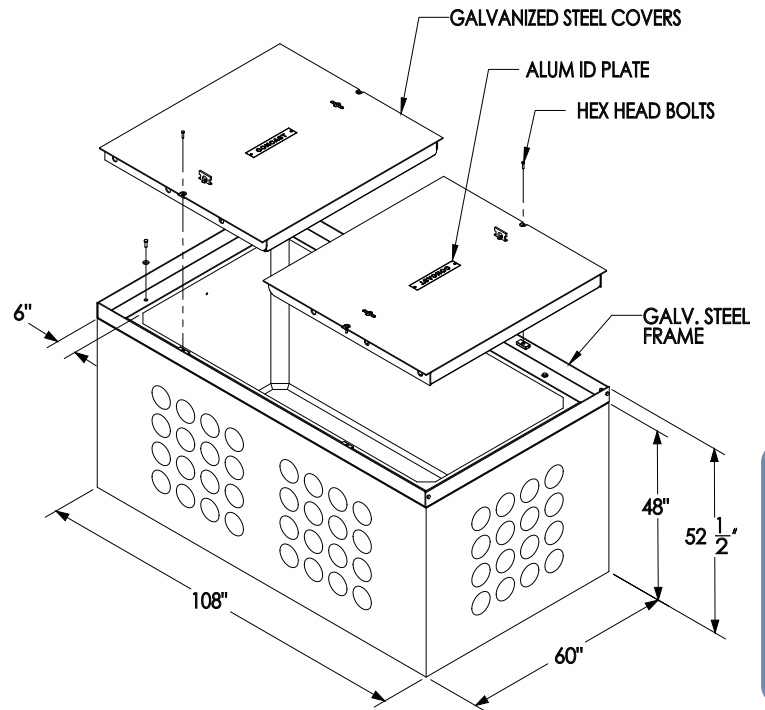
Pull Boxes



60 X 108 Heavy Traffic Pull Boxes

| 4" OR 6" CON-DUCT TERMINATORS ON ALL 4 SIDES - HEAVY TRAFFIC RATED | | |
|--|---|---|
| 9 Con-Ducts | 16 Con-Ducts | Included Cover(s) |
| PB9-60-108-48-RSG PB96-60-108-48-RSG | PB16-60-108-48-RSG PB166-60-108-48-RSG | 2 Galvanized Steel Covers 60-54-RSG |
| PB9-60-108-48-MH PB96-60-108-48-MH | PB16-60-108-48-MH PB166-60-108-48-MH | Concrete Cap 60-108-MH w/Cast Iron Frame & Cover CI-38-32 |
| PB9-60-108-48-SA PB96-60-108-48-SA | PB16-60-108-48-SA PB166-60-108-48-SA | Concrete Cap w/Galv Steel Spring Assisted Cover 60-108-SA |
| PB9-60-108-48-SPA PB96-60-108-48-SPA | PB16-60-108-48-SPA PB166-60-108-48-SPA | Galv. Steel Spring Assisted Cover 60-108-SPA |
| PB9-60-108-72-RSG PB96-60-108-72-RSG | PB16-60-108-72-RSG PB166-60-108-72-RSG | 2 Galvanized Steel Covers 60-54-RSG |
| PB9-60-108-72-MH PB96-60-108-72-MH | PB16-60-108-72-MH PB166-60-108-72-MH | Concrete Cap 60-108-MH w/Cast Iron Frame & Cover CI-38-32 |
| PB9-60-108-72-SA PB96-60-108-72-SA | PB16-60-108-72-SA PB166-60-108-72-SA | Concrete Cap w/Galv Steel Spring Assisted Cover 60-108-SA |
| PB9-60-108-72-SPA PB96-60-108-72-SPA | PB16-60-108-72-SPA PB166-60-108-72-SPA | Galv. Steel Spring Assisted Cover 60-108-SPA |

| KNOCKOUTS ON ALL 4 SIDES PEDESTRIAN OR LIGHT TRAFFIC RATED | |
|---|---|
| 42" X 24" KO's | Included Cover(s) |
| PBKO1-60-108-48-RSG | 2 Galvanized Steel Covers 60-54-RSG |
| PBKO1-60-108-48-MH | Concrete Cap 60-108-MH w/Cast Iron Frame & Cover CI-38-32 |
| PBKO1-60-108-48-SA | Concrete Cap w/Galv Steel Spring Assisted Cover 60-108-SA |
| PBKO1-60-108-48-SPA | Galv. Steel Spring Assisted Cover 60-108-SPA |
| PBKO1-60-108-72-RSG | 2 Galvanized Steel Covers 60-54-RSG |
| PBKO1-60-108-72-MH | Concrete Cap 60-108-MH w/Cast Iron Frame & Cover CI-38-32 |
| PBKO1-60-108-72-SA | Concrete Cap w/Galv Steel Spring Assisted Cover 60-108-SA |
| PBKO1-60-108-72-SPA | Galv. Steel Spring Assisted Cover 60-108-SPA |



**DUCT TERMINATOR BOX
PB166-60-108-48-RSG**

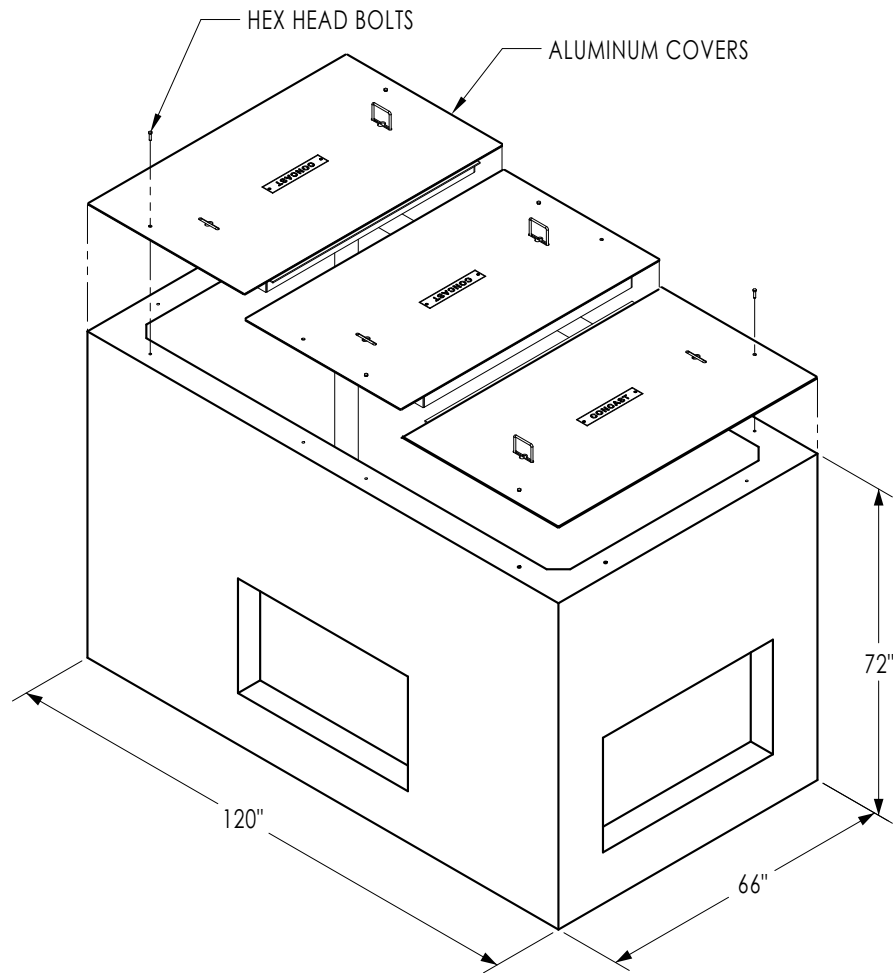
Pull Boxes

Pull Boxes

66 X 120 Ped & Light Traffic Pull Boxes



| 4" & 6" CON-DUCT TERMINATORS ON ALL 4 SIDES - PEDESTRIAN OR LIGHT TRAFFIC RATED | | |
|---|---------------------------------------|--|
| 9 Con-Ducts | 16 Con-Ducts | Included Cover(s) |
| PB9-66-120-48-A PB96-66-120-48-A | PB16-66-120-48-A PB166-66-120-48-A | 3 Pedestrian Aluminum Covers 66-40-A & 66-40-A-CTR |
| PB9-66-120-72-A PB96-66-120-72-A | PB16-66-120-72-A PB166-66-120-72-A | 3 Pedestrian Aluminum Covers 66-40-A & 66-40-A-CTR |



**KO (KNOCKOUT) BOX
PBK01-66-120-72-A**

| KNOCKOUTS ON ALL 4 SIDES PEDESTRIAN OR LIGHT TRAFFIC RATED | |
|---|---|
| 42" X 24" KO's | Included Cover(s) |
| PBK01-66-120-48-A | 3 Pedestrian Aluminum Covers 66-40-A & 66-40-A-CTR |
| PBK01-66-120-72-A | 3 Pedestrian Aluminum Covers 66-40-A & 66-40-A-CTR |

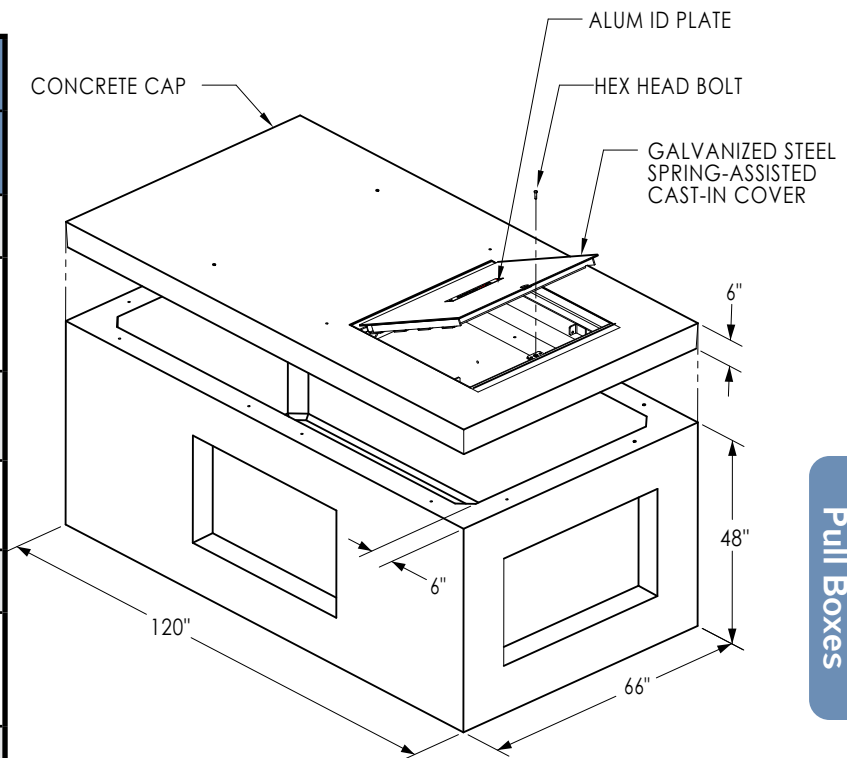
Pull Boxes



66 X 120 Heavy Traffic Pull Boxes

| 4" OR 6" CON-DUCT TERMINATORS ON ALL 4 SIDES - HEAVY TRAFFIC RATED | | |
|--|---|---|
| 9 Con-Ducts | 16 Con-Ducts | Included Cover(s) |
| PB9-66-120-48-RSG PB96-66-120-48-RSG | PB16-66-120-48-RSG PB166-66-120-48-RSG | 3 Galvanized Steel Covers 66-40-RSG |
| PB9-66-120-48-MH PB96-66-120-48-MH | PB16-66-120-48-MH PB166-66-120-48-MH | Concrete Cap 66-120-MH w/Cast Iron Frame & Cover CI-38-32 |
| PB9-66-120-48-SA PB96-66-120-48-SA | PB16-66-120-48-SA PB166-66-120-48-SA | Concrete Cap w/Galv Steel Spring Assisted Cover 66-120-SA |
| PB9-66-120-48-SPA PB96-66-120-48-SPA | PB16-66-120-48-SPA PB166-66-120-48-SPA | Galv. Steel Spring Assisted Cover 66-120-SPA |
| PB9-66-120-72-RSG PB96-66-120-72-RSG | PB16-66-120-72-RSG PB166-66-120-72-RSG | 3 Galvanized Steel Covers 66-40-RSG |
| PB9-66-120-72-MH PB96-66-120-72-MH | PB16-66-120-72-MH PB166-66-120-72-MH | Concrete Cap 66-120-MH w/Cast Iron Frame & Cover CI-38-32 |
| PB9-66-120-72-SA PB96-66-120-72-SA | PB16-66-120-72-SA PB166-66-120-72-SA | Concrete Cap w/Galv Steel Spring Assisted Cover 66-120-SA |
| PB9-66-120-72-SPA PB96-66-120-72-SPA | PB16-66-120-72-SPA PB166-66-120-72-SPA | Galv. Steel Spring Assisted Cover 66-120-SPA |

| KNOCKOUTS ON ALL 4 SIDES PEDESTRIAN OR LIGHT TRAFFIC RATED | |
|---|--|
| 42" X 24" KO's | Included Cover(s) |
| PBKO1-66-120-48-RSG | 3 Galvanized Steel Covers 66-40-RSG |
| PBKO1-66-120-48-MH | Concrete Cap 66-120-MH w/Cast Iron Frame & Cover CI-38-32 |
| PBKO1-66-120-48-SA | Concrete Cap w/Galv. Steel Spring Assisted Cover 66-120-SA |
| PBKO1-66-120-48-SPA | Galvanized Steel Spring Assisted Cover 66-120-SPA |
| PBKO1-66-120-48-RSG | 3 Galvanized Steel Covers 66-40-RSG |
| PBKO1-66-120-48-MH | Concrete Cap 66-120-MH w/Cast Iron Frame & Cover CI-38-32 |
| PBKO1-66-120-48-SA | Concrete Cap w/Galv. Steel Spring Assisted Cover 66-120-SA |
| PBKO1-66-120-48-SPA | Galvanized Steel Spring Assisted Cover 66-120-SPA |



**KO (KNOCKOUT) BOX
PBKO1-66-120-48-SA**

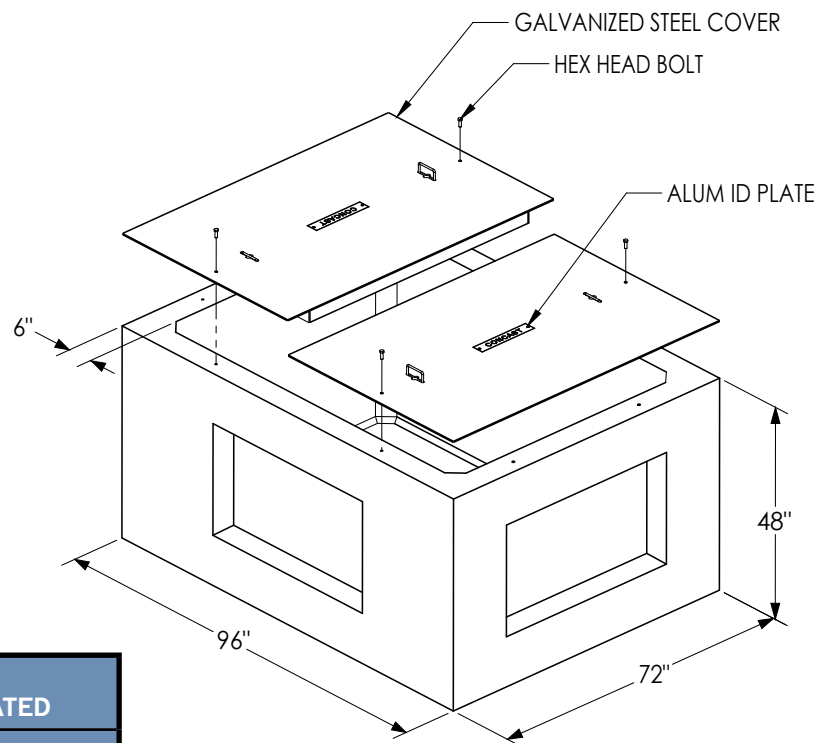
Pull Boxes

Pull Boxes

72 X 96 Ped & Light Traffic Pull Boxes



| 4" & 6" CON-DUCT TERMINATORS ON ALL 4 SIDES - PEDESTRIAN OR LIGHT TRAFFIC RATED | | |
|---|---------------------------------------|---|
| 9 Con-Ducts | 16 Con-Ducts | Included Cover(s) |
| PB9-72-96-48-A PB96-72-96-48-A | PB16-72-96-48-A PB166-72-96-48-A | 2 Pedestrian Aluminum Covers 72-48-A |
| PB9-72-96-48-HA PB96-72-96-48-HA | PB16-72-96-48-HA PB166-72-96-48-HA | Pedestrian Hinged Aluminum Cover 72-96-HA |
| PB9-72-96-72-A PB96-72-96-72-A | PB16-72-96-72-A PB166-72-96-72-A | 2 Pedestrian Aluminum Covers 72-48-A |
| PB9-72-96-72-HA PB96-72-96-72-HA | PB16-72-96-72-HA PB166-72-96-72-HA | Pedestrian Hinged Aluminum Cover 72-96-HA |



**KO (KNOCKOUT) BOX
PBK01-72-96-48-A**

| KNOCKOUTS ON ALL 4 SIDES PEDESTRIAN OR LIGHT TRAFFIC RATED | |
|---|---|
| 42" X 24" KO's | Included Cover(s) |
| PBK01-72-96-48-A | 2 Pedestrian Aluminum Covers 72-48-A |
| PBK01-72-96-48-HA | Pedestrian Hinged Aluminum Cover 72-96-HA |
| PBK01-72-96-72-A | 2 Pedestrian Aluminum Covers 72-48-A |
| PBK01-72-96-72-HA | Pedestrian Hinged Aluminum Cover 72-96-HA |

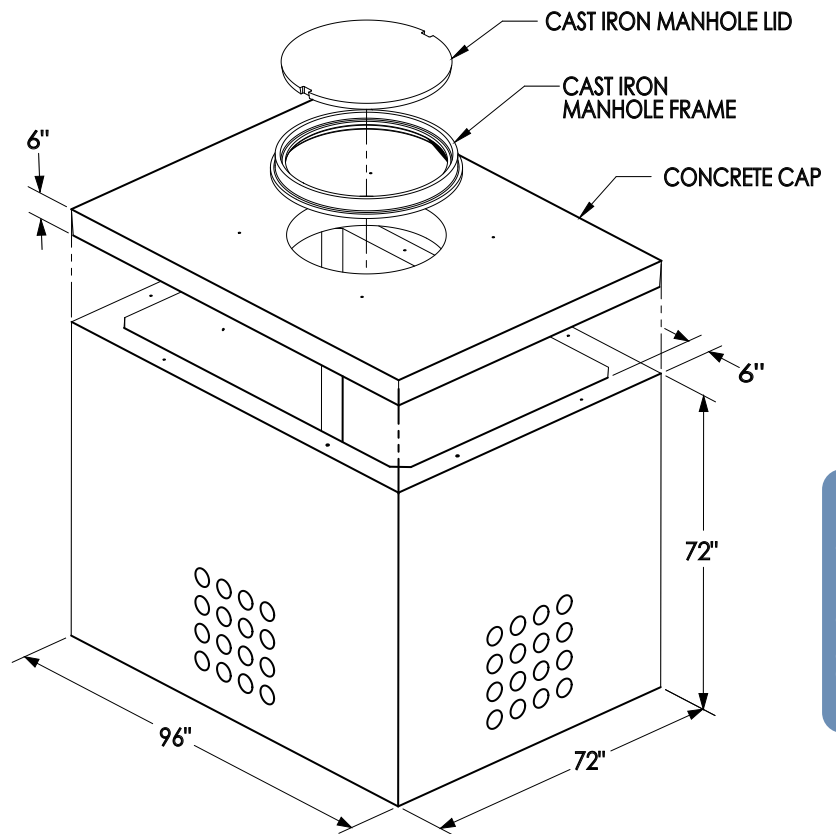
Pull Boxes



72 X 96 Heavy Traffic Pull Boxes

| 4" OR 6" CON-DUCT TERMINATORS ON ALL 4 SIDES - HEAVY TRAFFIC RATED | | |
|--|---|--|
| 9 Con-Ducts | 16 Con-Ducts | Included Cover(s) |
| PB9-72-96-48-RSG PB96-72-96-48-RSG | PB16-72-96-48-RSG PB166-72-96-48-RSG | 2 Galvanized Steel Covers 72-48-RSG |
| PB9-72-96-48-MH PB96-72-96-48-MH | PB16-72-96-48-MH PB166-72-96-48-MH | Concrete Cap 72-96-MH w/Cast Iron Frame & Cover CI-38-32 |
| PB9-72-96-48-SA PB96-72-96-48-SA | PB16-72-96-48-SA PB166-72-96-48-SA | Concrete Cap w/Galv Steel Spring Assisted Cover 72-96-SA |
| PB9-72-96-48-SPA PB96-72-96-48-SPA | PB16-72-96-48-SPA PB166-72-96-48-SPA | Galv. Steel Spring Assisted Cover 72-96-SPA |
| PB9-72-96-72-RSG PB96-72-96-72-RSG | PB16-72-96-72-RSG PB166-72-96-72-RSG | 2 Galvanized Steel Covers 72-48-RSG |
| PB9-72-96-72-MH PB96-72-96-72-MH | PB16-72-96-72-MH PB166-72-96-72-MH | Concrete Cap 72-96-MH w/Cast Iron Frame & Cover CI-38-32 |
| PB9-72-96-72-SA PB96-72-96-72-SA | PB16-72-96-72-SA PB166-72-96-72-SA | Concrete Cap w/Galv Steel Spring Assisted Cover 72-96-SA |
| PB9-72-96-72-SPA PB96-72-96-72-SPA | PB16-72-96-72-SPA PB166-72-96-72-SPA | Galv. Steel Spring Assisted Cover 72-96-SPA |

| KNOCKOUTS ON ALL 4 SIDES PEDESTRIAN OR LIGHT TRAFFIC RATED | |
|---|--|
| 42" X 24" KO's | Included Cover(s) |
| PBKO1-72-96-48-RSG | 2 Galvanized Steel Covers 72-48-RSG |
| PBKO1-72-96-48-SA | Concrete Cap w/Galv Steel Spring Assisted Cover 72-96-SA |
| PBKO1-72-96-48-SPA | Galv. Steel Spring Assisted Cover 72-96-SPA |
| PBKO1-72-96-48-MH | Concrete Cap 72-96-MH w/Cast Iron Frame and Cover CI-38-32 |
| PBKO1-72-96-72-RSG | 2 Galvanized Steel Covers 72-48-RSG |
| PBKO1-72-96-72-SA | Concrete Cap w/Galv Steel Spring Assisted Cover 72-96-SA |
| PBKO1-72-96-72-SPA | Galv. Steel Spring Assisted Cover 72-96-SPA |
| PBKO1-72-96-72-MH | Concrete Cap 72-96-MH w/Cast Iron Frame and Cover CI-38-32 |



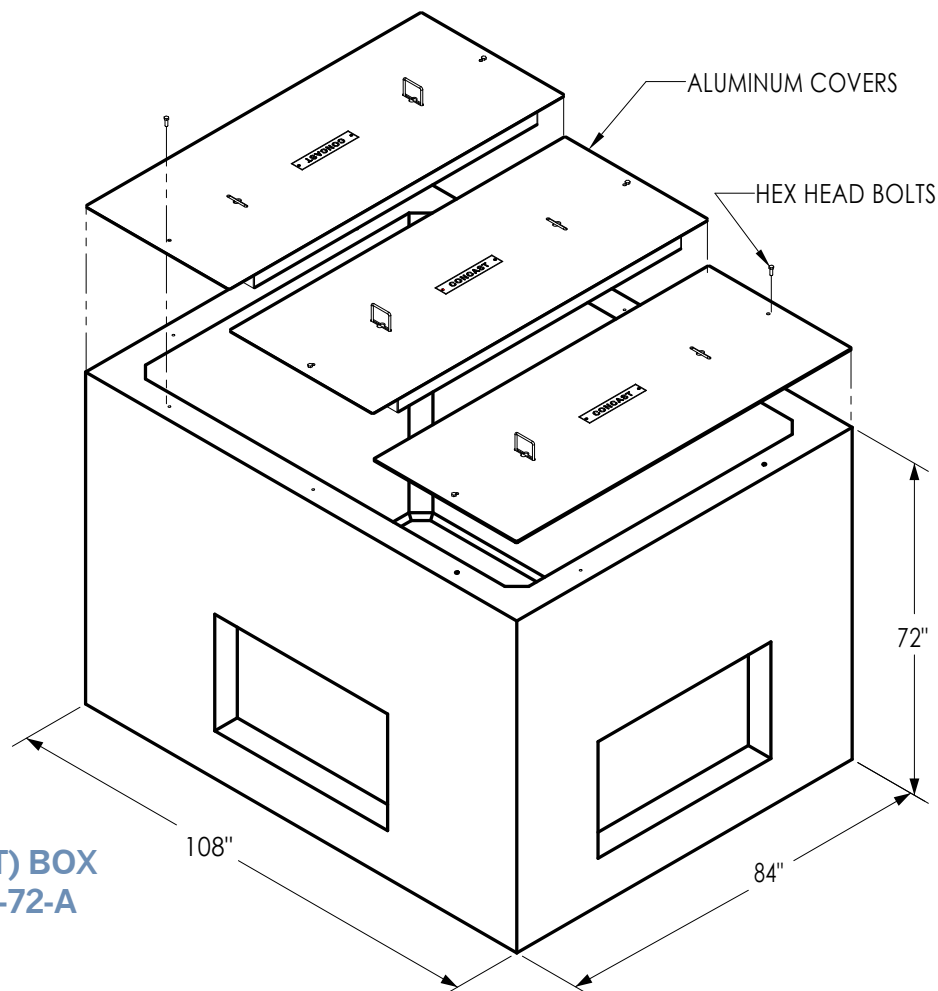
DUCT TERMINATOR BOX
PB16-72-96-72-MH Pull Boxes

Pull Boxes

84 X 108 Ped & Light Traffic Pull Boxes



| 4" & 6" CON-DUCT TERMINATORS ON ALL 4 SIDES - PEDESTRIAN OR LIGHT TRAFFIC RATED | | |
|---|---------------------------------------|--|
| 9 Con-Ducts | 16 Con-Ducts | Included Cover(s) |
| PB9-84-108-48-A PB96-84-108-48-A | PB16-84-108-48-A PB166-84-108-48-A | 3 Pedestrian Aluminum Covers 84-36-A & 84-36-A-CTR |
| PB9-84-108-72-A PB96-84-108-72-A | PB16-84-108-72-A PB166-84-108-72-A | 3 Pedestrian Aluminum Covers 84-36-A & 84-36-A-CTR |



KO (KNOCKOUT) BOX
PBK01-84-108-72-A

Pull Boxes

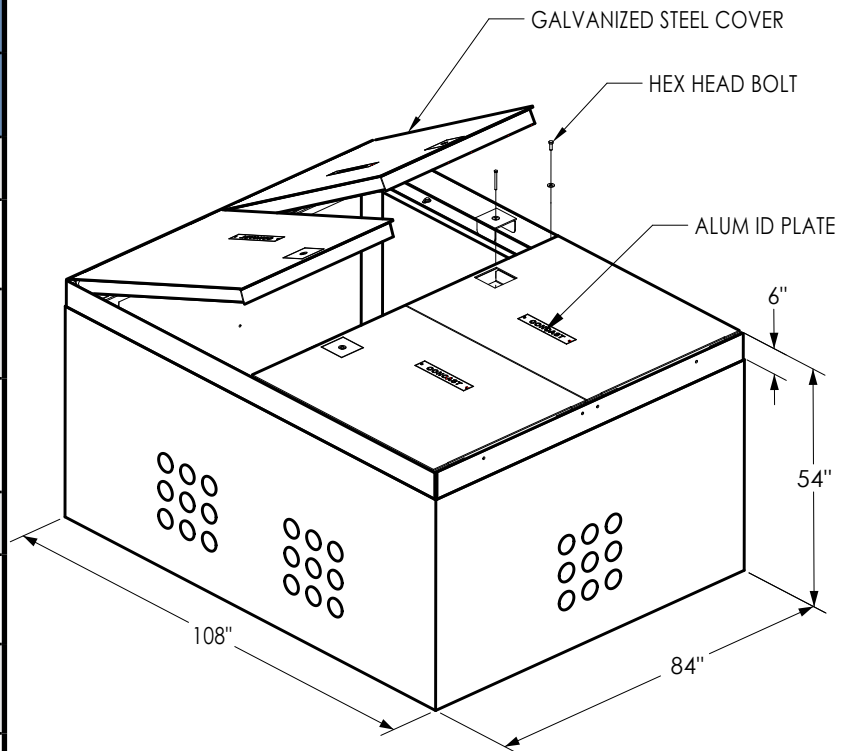
| KNOCKOUTS ON ALL 4 SIDES PEDESTRIAN OR LIGHT TRAFFIC RATED | |
|---|---|
| 42" X 24" KO's | Included Cover(s) |
| PBK01-84-108-48-A | 3 Pedestrian Aluminum Covers 84-36-A & 84-36-A-CTR |
| PBK01-84-108-72-A | 3 Pedestrian Aluminum Covers 84-36-A & 84-36-A-CTR |



84 X 108 Heavy Traffic Pull Boxes

| 4" OR 6" CON-DUCT TERMINATORS ON ALL 4 SIDES - HEAVY TRAFFIC RATED | | |
|--|---|---|
| 9 Con-Ducts | 16 Con-Ducts | Included Cover(s) |
| PB9-84-108-48-RSG PB96-84-108-48-RSG | PB16-84-108-48-RSG PB166-84-108-48-RSG | 2 Galvanized Steel Covers 84-54-RSG |
| PB9-84-108-48-MH PB96-84-108-48-MH | PB16-84-108-48-MH PB166-84-108-48-MH | Concrete Cap 84-108-MH w/Cast Iron Frame & Cover CI-38-32 |
| PB9-84-108-48-SA PB96-84-108-48-SA | PB16-84-108-48-SA PB166-84-108-48-SA | Concrete Cap w/Galv Steel Spring Assisted Cover 84-108-SA |
| PB9-84-108-48-SPA PB96-84-108-48-SPA | PB16-84-108-48-SPA PB166-84-108-48-SPA | Galv. Steel Spring Assisted Cover 84-108-SPA |
| PB9-84-108-72-RSG PB96-84-108-72-RSG | PB16-84-108-72-RSG PB166-84-108-72-RSG | 2 Galvanized Steel Covers 84-54-RSG |
| PB9-84-108-72-MH PB96-84-108-72-MH | PB16-84-108-72-MH PB166-84-108-72-MH | Concrete Cap 84-108-MH w/Cast Iron Frame & Cover CI-38-32 |
| PB9-84-108-72-SA PB96-84-108-72-SA | PB16-84-108-72-SA PB166-84-108-72-SA | Concrete Cap w/Galv Steel Spring Assisted Cover 84-108-SA |
| PB9-84-108-72-SPA PB96-84-108-72-SPA | PB16-84-108-72-SPA PB166-84-108-72-SPA | Galv. Steel Spring Assisted Cover 84-108-SPA |

| KNOCKOUTS ON ALL 4 SIDES PEDESTRIAN OR LIGHT TRAFFIC RATED | |
|---|---|
| 42" X 24" KO's | Included Cover(s) |
| PBKO1-84-108-48-RSG | 2 Galvanized Steel Covers 84-54-RSG |
| PBKO1-84-108-48-SA | Concrete Cap w/Galv. Steel Steel Assisted Cover 84-108-SA |
| PBKO1-84-108-48-SPA | Galv. Steel Spring Assisted Cover 84-108-SPA |
| PBKO1-84-108-48-MH | Concrete Cap 84-108-MH w/Cast Iron Frame & Cover CI-38-32 |
| PBKO1-84-108-72-RSG | 2 Galvanized Steel Covers 84-54-RSG |
| PBKO1-84-108-72-SA | Concrete Cap w/Galv. Steel Steel Assisted Cover 84-108-SA |
| PBKO1-84-108-72-SPA | Galv. Steel Spring Assisted Cover 84-108-SPA |
| PBKO1-84-108-72-MH | Concrete Cap 84-108-MH w/Cast Iron Frame & Cover CI-38-32 |



**DUCT TERMINATOR BOX
PB9-84-108-48-SPA**

Pull Boxes

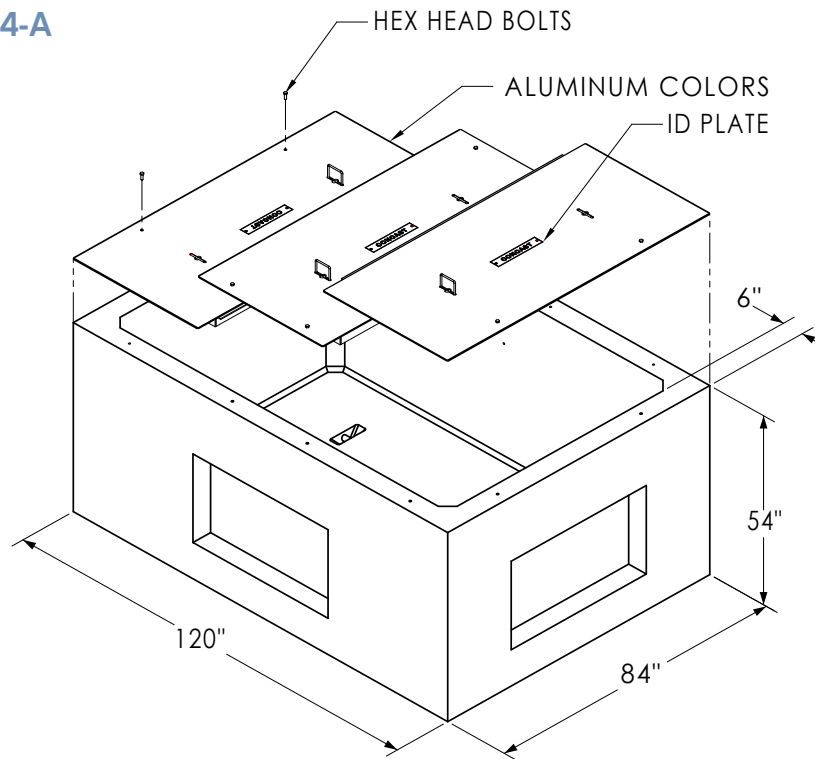
Pull Boxes

84 X 120 Ped & Light Traffic Pull Boxes



| 4" & 6" CON-DUCT TERMINATORS ON ALL 4 SIDES - PEDESTRIAN OR LIGHT TRAFFIC RATED | | |
|---|---------------------------------------|--|
| 9 Con-Ducts | 16 Con-Ducts | Included Cover(s) |
| PB9-84-120-48-A PB96-84-120-48-A | PB16-84-120-48-A PB166-84-120-48-A | 3 Pedestrian Aluminum Covers 84-40-A & 84-40-A-CTR |
| PB9-84-120-72-A PB96-84-120-72-A | PB16-84-120-72-A PB166-84-120-72-A | 3 Pedestrian Aluminum Covers 84-40-A & 84-40-A-CTR |

DUCT TERMINATOR BOX PB16-84-120-54-A



Pull Boxes

| KNOCKOUTS ON ALL 4 SIDES PEDESTRIAN OR LIGHT TRAFFIC RATED | |
|---|---|
| 42" X 24" KO's | Included Cover(s) |
| PBKO1-84-120-48-A | 3 Pedestrian Aluminum Covers 84-40-A & 84-40-A-CTR |
| PBKO1-84-120-72-A | 3 Pedestrian Aluminum Covers 84-40-A & 84-40-A-CTR |

KO (KNOCKOUT) BOX PBKO1-84-120-78-A

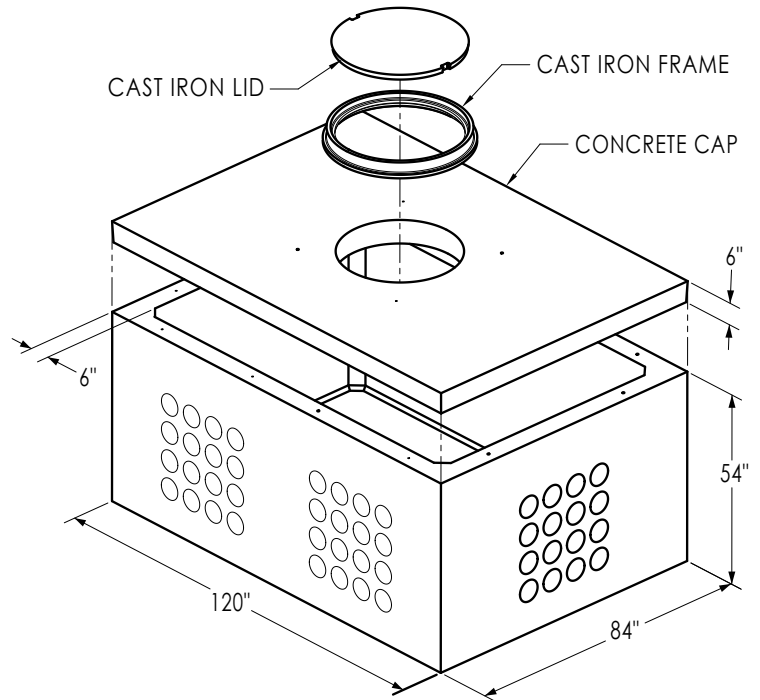
Pull Boxes



84 X 120 Heavy Traffic Pull Boxes

| 4" OR 6" CON-DUCT TERMINATORS ON ALL 4 SIDES - HEAVY TRAFFIC RATED | | |
|--|---|---|
| 9 Con-Ducts | 16 Con-Ducts | Included Cover(s) |
| PB9-84-120-48-RSG PB96-84-120-48-RSG | PB16-84-120-48-RSG PB166-84-120-48-RSG | 2 Galvanized Steel Covers 84-60-RSG |
| PB9-84-120-48-MH PB96-84-120-48-MH | PB16-84-120-48-MH PB166-84-120-48-MH | Concrete Cap 84-120-MH w/Cast Iron Frame & Cover CI-38-32 |
| PB9-84-120-48-SA PB96-84-120-48-SA | PB16-84-120-48-SA PB166-84-120-48-SA | Concrete Cap w/Galv Steel Spring Assisted Cover 84-120-SA |
| PB9-84-120-48-SPA PB96-84-120-48-SPA | PB16-84-120-48-SPA PB166-84-120-48-SPA | Galv. Steel Spring Assisted Cover 84-120-SPA |
| PB9-84-120-72-RSG PB96-84-120-72-RSG | PB16-84-120-72-RSG PB166-84-120-72-RSG | 2 Galvanized Steel Covers 84-60-RSG |
| PB9-84-120-72-MH PB96-84-120-72-MH | PB16-84-120-72-MH PB166-84-120-72-MH | Concrete Cap 84-120-MH w/Cast Iron Frame & Cover CI-38-32 |
| PB9-84-120-72-SA PB96-84-120-72-SA | PB16-84-120-72-SA PB166-84-120-72-SA | Concrete Cap w/Galv Steel Spring Assisted Cover 84-120-SA |
| PB9-84-120-72-SPA PB96-84-120-72-SPA | PB16-84-120-72-SPA PB166-84-120-72-SPA | Galv. Steel Spring Assisted Cover 84-120-SPA |

| KNOCKOUTS ON ALL 4 SIDES PEDESTRIAN OR LIGHT TRAFFIC RATED | |
|---|---|
| 42" X 24" KO's | Included Cover(s) |
| PBKO1-84-120-48-RSG | 2 Galvanized Steel Covers 84-60-RSG |
| PBKO1-84-120-48-MH | Concrete Cap 84-120-MH w/Cast Iron Frame and Cover CI-38-32 |
| PBKO1-84-120-48-SA | Concrete Cap w/Galv Steel Spring Assisted Cover 84-120-SA |
| PBKO1-84-120-48-SPA | Galv. Steel Spring Assisted Cover 84-120-SPA |
| PBKO1-84-120-72-RSG | 2 Galvanized Steel Covers 84-60-RSG |
| PBKO1-84-120-72-MH | Concrete Cap 84-120-MH w/Cast Iron Frame and Cover CI-38-32 |
| PBKO1-84-120-72-SA | Concrete Cap w/Galv Steel Spring Assisted Cover 84-120-SA |
| PBKO1-84-120-72-SPA | Galv. Steel Spring Assisted Cover 84-120-SPA |



**DUCT TERMINATOR BOX
PB166-84-120-54-MH**

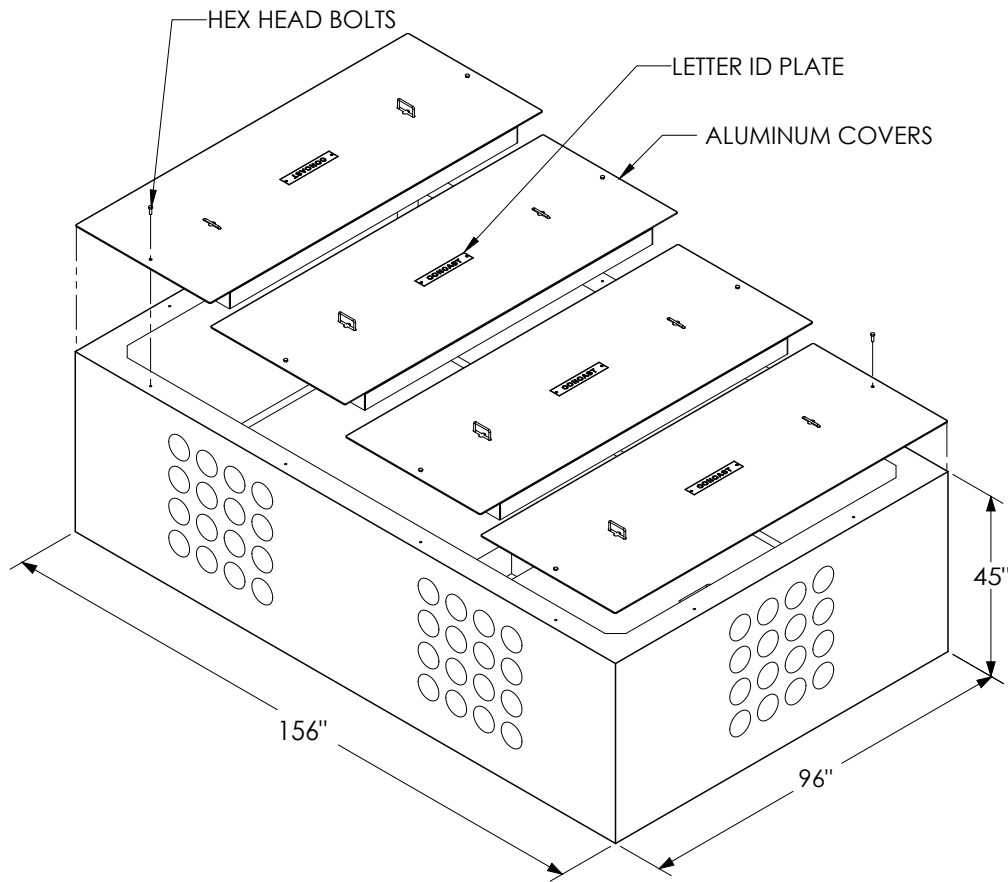
Pull Boxes

Pull Boxes

96 X 156 Pedestrian Rated Pull Boxes



| 4" & 6" CON-DUCT TERMINATORS ON ALL 4 SIDES - PEDESTRIAN OR LIGHT TRAFFIC RATED | |
|---|--|
| 16 Duct Terminator Array | Included Cover(s) |
| PB16-96-156-84-A PB166-96-156-84-A | 4 Pedestrian Aluminum Covers 96-39-A & 96-39-A-CTR |



**DUCT TERMINATOR BOX
PB166-156-96-45-A**

Pull Boxes

| KNOCKOUTS ON ALL 4 SIDES PEDESTRIAN OR LIGHT TRAFFIC RATED | |
|---|---|
| 42" X 24" KO Array | Included Cover(s) |
| PBKO1-96-156-60-A | 4 Pedestrian Aluminum Covers 96-39-A & 96-39-A-CTR |
| PBKO1-96-156-84-A | 4 Pedestrian Aluminum Covers 96-39-A & 96-39-A-CTR |

96 X 156 Heavy Traffic Pull Boxes



| 4" OR 6" CON-DUCT TERMINATORS ON ALL 4 SIDES - HEAVY TRAFFIC RATED | |
|--|---|
| 16 Duct Terminator Array | Included Cover(s) |
| PB16-96-156-60-RSG PB166-96-156-60-RSG | 3 Galvanized Steel Covers 96-52- |
| PB16-96-156-60-MH PB166-96-156-60-MH | Concrete Cap 96-145-MH w/Cast Iron Frame & Cover CI-38-32 |
| PB16-96-156-60-SA PB166-96-156-60-SA | Concrete Cap w/Galv Steel Spring Assisted Cover 96-145-SA |
| PB16-96-156-60-SPA PB166-96-156-60-SPA | Galv. Steel Spring Assisted Cover 96-145-SPA |
| PB16-96-156-84-RSG PB166-96-156-84-RSG | 3 Galvanized Steel Covers 96-52- |
| PB16-96-156-84-MH PB166-96-156-84-MH | Concrete Cap 96-145-MH w/Cast Iron Frame & Cover CI-38-32 |
| PB16-96-156-84-SA PB166-96-156-84-SA | Concrete Cap w/Galv Steel Spring Assisted Cover 96-145-SA |
| PB16-96-156-84-SPA PB166-96-156-84-SPA | Galv. Steel Spring Assisted Cover 96-145-SPA |

| KNOCKOUTS ON ALL 4 SIDES PEDESTRIAN OR LIGHT TRAFFIC RATED | |
|--|---|
| 60" X 24" KO Array | Included Cover(s) |
| PBKO1-96-156-60-RSG | 3 Galvanized Steel Covers 96-52-RSG |
| PBKO1-96-156-60-MH | Concrete Cap 96-160-MH w/Cast Iron Frame and Cover CI-38-32 |
| PBKO1-96-156-60-SA | Concrete Cap w/Galv Steel Spring Assisted Cover 96-160-SA |
| PBKO1-96-156-60-SPA | Galv. Steel Spring Assisted Cover 96-160-SPA |
| PBKO1-96-156-84-RSG | 3 Galvanized Steel Covers 96-52-RSG |
| PBKO1-96-156-84-MH | Concrete Cap 96-160-MH w/Cast Iron Frame and Cover CI-38-32 |
| PBKO1-96-156-84-SA | Concrete Cap w/Galv Steel Spring Assisted Cover 96-160-SA |
| PBKO1-96-156-84-SPA | Galv. Steel Spring Assisted Cover 96-160-SPA |

Pull Boxes

Pull Boxes

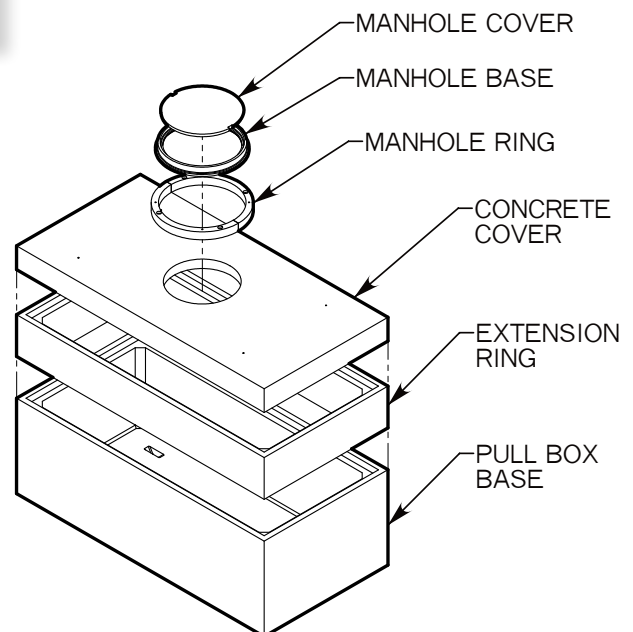


CUSTOMIZED CABLE/CONDUIT ENTRY



STACKABLE MANHOLE BOXES

- Manholes are part of the stackable line of large pull boxes and are available in any desired depth.
- These pull boxes variations have a solid concrete top with an industry-standard cast iron ring access cover.
- The cast iron cover can be labeled with any utility identification as required by your project.
- Manhole covers are heavy traffic rated and meet AASHTO H-20 requirements.





Pull Box Accessories

CON-DUCT TERMINATORS



Concast offers plastic cable conduit terminators called Con-Duct. Each piece is cast into the concrete side wall and provides a smooth edge for pulling cables. The center plastic membrane can be knocked out when you are ready to use the opening.

Standard Con-Duct terminators are sized for 4 inch PVC, they are 6-3/8" apart on center, and they are Concast part number CD-464. Other sizes and spacings are available upon request.

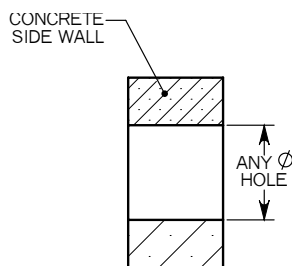
For more information such as sizes and part numbers, see our website at www.concastinc.com/accessories/Con-Duct or contact your local Concast sales representative.

REDUCING COUPLERS

- The perfect solution for transitions from multiple sizes of PVC pipe into the standard Con-Duct terminators cast into Concast boxes.
- They can be cut to fit the following PVC pipe sizes: 1 inch, 1.5 inch, 2 inch, 2.5 inch, 3 inch, and 3.5 inch.
- Reducing Couplers are to be ordered under part number RC41.

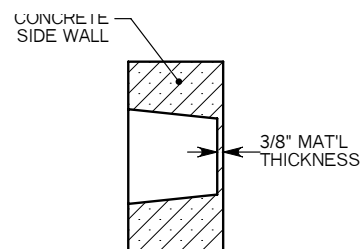


CUSTOM HOLES



Any URD Vault/Pull Box that Concast offers can be cast with holes at most locations in the unit. Please specify size, quantity, and locations when ordering. It is recommended to use oversize holes to ensure proper fit. Any gaps can later be sealed.

CUSTOM KNOCKOUTS



Knockouts can also be cast in most locations in Concast Pull Boxes/Vaults. They are recommended for openings that will be used at a later date. A concrete shell of approximately 3/8" thick is left in the opening. This can be easily knocked out with a hammer when the opening needs to be used. But, until then, the shell will keep backfill out of your box.



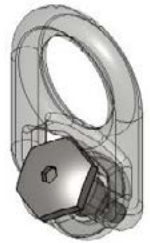
SWIVEL HOIST RINGS

| HOIST RING | THREADED ROD DIA. | THREADED ROD LENGTH | RATED LOAD |
|------------|-------------------|---------------------|------------|
| 9002.38 | 3/8-16 UNC | 1 inch | 1000 Lbs. |
| 9002 | 1/2-13 UNC | 1.25 inch | 2500 Lbs. |
| 9002.75 | 3/4-10 UNC | 1.5 inch | 5000 Lbs. |
| 9002L | 1/2-13 UNC | 2 inch | 2500 Lbs. |



The forged swivel hoist ring is designed to thread into the cast-in inserts located in Concast's heavier products. Hoist rings are designed for lifting at any angle because they can swivel 360° and pivot 180°. These rings meet or exceed the requirements of ASME B30.26. Each hoist ring is 200% proof-load tested with certification. A nut and washer combination for non-insert applications is also included with the unit assembly. We recommend using our 4-way lifting chain (or equivalent) in conjunction with the hoist ring.

The swivel hoist replacement bolt is part number **9002RB** & can only be used with 2" or deeper threaded inserts as it is a 2" long threaded rod.



4-WAY LIFT CHAIN



- Concast Part Number: 9003
- Can be used in conjunction with the Swivel Hoist Rings for lifting pull boxes
- The 9100 pound maximum rated load is contingent on maintaining a horizontal lift angle that is less than 60 degrees

LIFT DOLLY P/N: CRD1 & CRD2

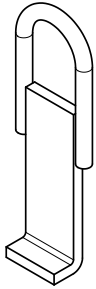
The lift dolly is an ideal tool for easily removing heavier covers. The included lifting chain system can remove covers with both slots and threaded inserts. The dolly also features maintenance free, easy rolling, solid pneumatic wheels; it is collapsible for easy storage.





Pull Box Accessories

HEAVY LIFT TOOLS P/N: 8000L & 9001-T



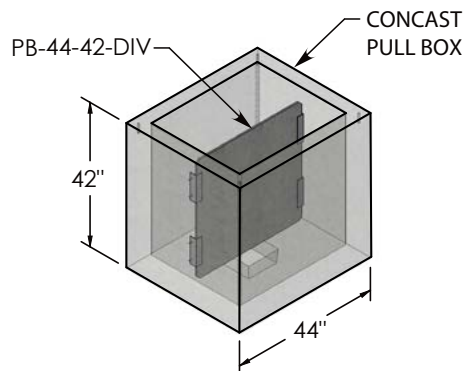
This 8000L tool is designed to lift Concast's HTSG steel covers. It can be used with rigging equipment and can support up to 800 pounds. Chain (P/N: 9003) is sold separately.



This 9001-T tool is an alternative to the standard 8000 lifting tool. This can also lift heavier trench covers in conjunction with rigging equipment. It is rated for 1000 pounds.

PULL BOX DIVIDER PANELS

These fiber-reinforced panels can be used to create internal separation within your Concast pull box. Ideal for boxes that house both power and communication cables. Dividers are available for all pull box sizes; standard ones are listed here. Aluminum sleeves & Tapcon screws are included for field installation.



| DIVIDER PANEL | PULL BOX WIDTH | PULL BOX DEPTH | PULL BOX WALL |
|---------------|----------------|----------------|---------------|
| PB-32-40-DIV | 32" | 40" | 4" |
| PB-32-52-DIV | 32" | 52" | 4" |
| PB-38-42-DIV | 38" | 42" | 4" |
| PB-38-53-DIV | 38" | 53" | 4" |
| PB-40-54-DIV | 40" | 54" | 5" |
| PB-44-40-DIV | 44" | 40" | 4" |
| PB-44-42-DIV | 44" | 42" | 4" |
| PB-44-52-DIV | 44" | 53" | 4" |
| PB-44-53-DIV | 44" | 53" | 4" |
| PB-44-64-DIV | 44" | 64" | 4" |
| PB-44-72-DIV | 44" | 72" | 4" |
| PB-56-52-DIV | 56" | 52" | 4" |
| PB-68-52-DIV | 68" | 52" | 4" |
| PB-68-72-DIV | 68" | 72" | 4" |



PULL BOX LADDER RUNGS

Ladder rungs/steps can be field-installed into their pull boxes. Pre-drill 1" diameter holes wherever you need the rungs, then drive them in with a hammer until it is firmly seated in the pull box sidewall. These rungs are constructed of copolymer polypropylene exterior with a 1/2" diameter Grade 60 reinforcement bar in the center. Drawings are available online.

| LADDER RUNG | CORE DESCRIPTION | NOTES |
|-------------|------------------|-------------------|
| STP-1 | Grade 60 Steel | |
| STP-2 | Stainless Steel | Water Submersible |

VULKEM SEALANT



Vulkem polyurethane sealant is colored concrete gray and can be ordered under Concast P/N: 8004. It is delivered in tubes and is designed for use on poured and precast concrete surfaces. Vulkem 116 has demonstrated superior primerless adhesion to porous substrates for over 30 years and is the sealant of choice for commercial industrial expansion joints.

NEO PADS & JOINT SEALANT



Self-Adhesive Neoprene strips can be installed into the handholes to cushion the covers. They are colored gray and can be ordered under Concast P/N: NEO.

C-56 Butyl Mastic Joint Sealant comes in a coil of rope & can be used to form a permanent bond to the concrete. Order under part number 8004B.



Pull Box Accessories

LETTER ID PLATES

| STANDARD ID PLATES | TEXT LINE 1 | TEXT LINE 2 |
|--------------------|---------------------------------|--------------------|
| LTR-ID | CONCAST | |
| LTR-ID-AUXV2 | AUXILIARY | TWO SOURCE FEEDERS |
| LTR-ID-AV | AV | |
| LTR-ID-BLANK | BLANK - NO TEXT | |
| LTR-ID-C | COMMUNICATION | CONCAST |
| LTR-ID-C2 | COMMUNICATION | |
| LTR-ID-CO | CONTROL | CONCAST |
| LTR-ID-D | DATA | CONCAST |
| LTR-ID-DE | DATA/ELECTRIC | CONCAST |
| LTR-ID-DHV | DANGER-HIGH VOLTAGE KEEP OUT | |
| LTR-ID-DHV2 | DANGER-HIGH VOLTAGE | TWO SOURCE FEEDERS |
| LTR-ID-E | ELECTRIC | CONCAST |
| LTR-ID-E2 | ELECTRICITE | CONCAST |
| LTR-ID-E3 | ELECTRICAL | |
| LTR-ID-E4 | ELECTRIC | |


| STANDARD ID PLATES | TEXT LINE 1 | TEXT LINE 2 |
|--------------------|------------------------|-------------|
| LTR-ID-EC | ELECTRIC/COMM | |
| LTR-ID-E-480V | 480V ELECTRICAL | |
| LTR-ID-F | FIBER OPTIC | CONCAST |
| LTR-ID-FA | FIRE ALARM | CONCAST |
| LTR-ID-G | GAS | CONCAST |
| LTR-ID-GR | GROUND | CONCAST |
| LTR-ID-HV | HIGH VOLTAGE | CONCAST |
| LTR-ID-I | IRRIGATION | CONCAST |
| LTR-ID-L | LIGHTING | CONCAST |
| LTR-ID-LPUB | LIGHT POLE UTILITY BOX | |
| LTR-ID-LV | LOW VOLTAGE | CONCAST |
| LTR-ID-P | POWER | CONCAST |
| LTR-ID-PRIMARY | PRIMARY | |
| LTR-ID-SECONDARY | SECONDARY | |
| LTR-ID-T | TELECOM | CONCAST |
| LTR-ID-TR | TRAFFIC | CONCAST |
| LTR-ID-W | WATER | CONCAST |

- Part number LTR-ID is used by default in all pull box covers. It is 14" long.
- All standard listed plates are 14" long and are interchangeable with the default plate.

| EYE BOLT | THREADED ROD DIAMETER | THREADED ROD LENGTH | STRAIGHT PULL RATED LOAD | BOLT MATERIAL |
|----------|-----------------------|---------------------|--------------------------|-------------------|
| 9000 | 1/2-13 UNC | 1.5 inch | 2,600 Lbs. | Carbon Steel |
| 9001 | 3/8-16 UNC | 1.25 inch | 1,400 Lbs. | Carbon Steel |
| 9001G | 3/8-16 UNC | 1.25 inch | 1,400 Lbs. | Galvanized Steel |
| 9001SS | 3/8-16 UNC | 1.25 inch | 1,000 Lbs. | Stainless Steel |
| 9001Z | 3/8-16 UNC | 1.25 inch | 1,400 Lbs. | Zinc Plated Steel |

Straight pull is required to achieve listed load rating

PULLING EYES



Pull Boxes



Pull Box Accessories

PK-1 Patch Kit:

- Used for cosmetic repairs.
- Kit is complete with everything you need for small concrete repairs, including patching compound, bucket, and a trowel.

PK-2 Patch Kit:

- Ideal for patching holes in non-structural concrete sections.
- Kit consists of a large Fibercrete® patch sheet (1/2" thick by 12" sq.) which is cut to size, and then a construction adhesive or concrete screws are used to attach the patch over the hole.

PK-36, PK-69, & PK-912 PatchKwik Kits

- Easy to apply, self-adhesive fiberglass patch that is UV light activated. Available in 3 sizes.
- Spray paint can be ordered from Concast in gray or green. Part numbers are PK-Gray & PK-Green respectively.
- More detail online.



[Patch Kit Link](#)
[PatchKwik Installation Video](#)

GUIDE POSTS & SAFETY CHAIN

Guide posts and chain provide protection for your pre-cast boxes by blocking off vehicular traffic or defining a road way. A hard, yellow plastic exterior ensures that the color will withstand years of environmental exposure like UV rays and heat. The posts are available either hollow, or concrete filled with steel rebar reinforcement. A 3/8-16 UNC threaded insert is located at the top of each post for securing optional safety chain. See more at https://www.concastinc.com/pull_boxes/accessories/guide_post/



| Post, Rope & Chain Part Numbers | Connection Hardware Part Numbers |
|---------------------------------|----------------------------------|
| 8005Y-4F | 9001G |
| 8005Y-4H | 9001SS |
| 8005Y-7F | 9001Z |
| 8005Y-7H | 9001G-J |
| 8007 | 9001SS-J |
| 8007Y-3 | 9001ACC |
| 8007SG | HHB.38-1.5 |
| ROPE-5-BK | WSR.38-1 |
| ROPE-5-YW | 8007SG-CL |
| | ROPE-CLAMP-625 |
| | SHSS |
| | SHPY-3 |



Pull Box Specifications

GENERAL SPECIFICATIONS FOR PULL BOXES

1. TECHNICAL SCOPE

- 1-A.** These specifications cover precast Fibercrete® (G.F.R.C.) Vaults/Boxes manufactured by Concast Incorporated in Zumbrota, Minnesota. The manufacturer must have experience in design and fabrication of these products and also the facilities for fabricating them with the quality specified herein and without delay to the agreed upon schedule.
- 1-B.** The Vault/Box shall be designed and constructed to provide a serviceable life and warranty of 35 years when installed outdoors in full sunlight and without any protection from the weather at any location in the continental United States or Canada.
- 1-C.** The Supplier shall design, construct, perform dimensional and quality control tests, and prepare the Vault/Box for truck shipment. Shipping and delivery responsibilities will be defined in the project specific purchase documents. The Supplier shall provide all necessary documentation as stated in this specification.

2. DIMENSIONS AND DESIGN

- 2-A.** Drawings shall be made available for engineering approval, field installation, and field identification; in PDF, SolidWorks, or AutoCAD format. Standard PDF format component drawings shall also be available online.
- 2-B.** The tolerances of the dimensions of each concrete component shall not exceed $\pm 1/4$ ". These tolerances apply to the components when ready for shipping, when set on a flat and level surface with no loads applied to it.
- 2-C.** The manufacturer's design dimensions must be approved by the Purchaser prior to fabrication.
- 2-D.** Provisions, such as cast-in threaded inserts, must be offered for lifting any box/vault. Mounting holes must be adequately reinforced to avoid damaging the box and to provide an ultimate strength of at least 5 times the part weight when it is lifted in accordance with the manufacturer's instructions.
- 2-E.** Bases shall have optional holes for adequate drainage or for attaching sump.
- 2-F.** Conduit/Cable entrances shall be supplied per job requirement, and will be made available in many sizes and configurations depending on the application.
- 2-G.** The vault/box shall be designed and constructed so that it and any related hardware will not trap or hold water when required, and so that it will be able to withstand repeated freeze and thaw cycles.
- 2-H.** The vault/box color shall be a natural concrete gray.
- 2-I.** If required, the vault/box shall be manufactured with cover bolt-down accommodations.
- 2-J.** Boxes/Vaults are all built to meet the heavy traffic requirements of AASHTO H-20 which is 32,000 lbs. axle load. Some of the smaller Pull Box covers can be made available with a pedestrian rating of 200 lbs./ft.
- 2-K.** The precast components are designed to conform to requirements stated in ASTM C857-07 "Practice for Minimum Structural Design Loading for Underground Precast Concrete Utility Structures, ASTM C858-07 "Specifications for Underground Precast Concrete Utility Structures".



3. PERFORMANCE AND MATERIALS

- 3-A.** Cement shall conform to the requirement of ASTM C150 - Type I, II or ASTM C595 - Type II.
- 3-B.** Course and fine aggregates shall conform to ASTM C33 "Specification for Concrete Aggregates".
- 3-C.** Preparation of concrete shall conform to ASTM A94 "Specification for Ready-Mix Concrete" & ACI 304 "Guide for Mixing, Transporting and Placing Concrete".
- 3-D. MICRO-CONCRETE**
- 3-D.1** Precast solid concrete Vaults/Boxes shall be cast into steel forms.
- 3-D.2** Concrete shall contain 6% entrained air (plus or minus 1%)
- 3-D.3** Shall obtain a minimum compressive strength of 7500 PSI at 28 days of age.
- 3-E. REINFORCEMENT**
- 3-E.1** Steel reinforcing bars shall conform to ASTM A615 "Specification for Deformed and Plain Billet Steel Bars for Concrete Reinforcement".
- 3-E.2** Steel reinforcing wires shall conform to ASTM A496 "Specification for Steel Wire, Deformed for Concrete Reinforcement".
- 3-E.3** Steel reinforcing weld wire cages shall conform to ASTM A497 "Specification for Steel Welded Wire Fabric, Deformed for Concrete Reinforcement".
- 3-F.** The vault/box must not be affected by asphalt, road salts, fertilizers, oils, other common chemicals, weather, sunlight, or other normal service conditions that it might be exposed to.
- 3-G.** The vault/box must not warp, rust, be UV degradable, or sustain combustion.
- 3-H.** With equipment installed; the vault/box shall be capable of withstanding temperature variations of -40° Fahrenheit to 149° Fahrenheit without cracking, splitting, or otherwise deforming. Material shall have been tested and conform to ASTM C666/C666M-03.
- 3-I.** When required, site-specific, PE stamped, seismic calculations shall be provided.
- 3-J.** Concrete properties will vary depending upon the particular formulation of the concrete mix design. Customized properties can be achieved by using nonstandard ingredients, by changing or adding reinforcements, and by tailoring the overall mix design.
- 3-K. METAL COMPONENT PERFORMANCE**
- 3-K.1** All galvanized steel covers, hardware, and embedments shall meet the following requirements:
- Steel Deck Plating - ASTM A786 | Steel Sheet - A1011 HSLAS Gr 50
 - Steel Angles & Flats - ASTM A-36 | Galvanized Covers - ASTM 123
 - Galvanized Hardware - ASTM 153



Pull Box Specifications

3-K.2 All stainless steel hardware and embedments shall meet the following requirements:

- Stainless Steel Angles & Flats Type 304 - ASTM A276
- Stainless Steel Sheet Type 304 - ASTM A-240

3-K.3 All aluminum covers, hardware, and embedments shall meet the following requirements:

- Aluminum Flats 6061-T6511 - ASTM B221 | Aluminum Sheet Smooth 5052-H32 - ASTM B209
- Aluminum Deck Plating 3003 - ASTM B209 or 6061 - ASTM B632
- Aluminum Angles 6061-T6 - ASTM B308 | Aluminum Channels 6061-T6 - ASTM B308

4. PULL BOXES

- 4-A.** Pull boxes shall have 4 to 6 inch thick walls, optional interlocking extension rings, and removable cover sections assembled to form a completely enclosed unit.
- 4-B.** For boxes with non-standard heights, extension rings shall be stacked vertically on the base ring to meet the desired depth requirement.

5. URD EQUIPMENT/VISTA VAULT

- 5-A.** All vaults shall include platforms, supports, access ladder, two covers, and other miscellaneous hardware required for operating and maintaining switchgear equipment.
- 5-B.** Vaults shall have a wide flanged base to help prevent floatation.
- 5-C.** Vaults shall be supplied with spring-assist covers upon request. These covers can be operated by one person. Standard covers are fixed.

4. INSTALLATION REQUIREMENTS

- 4-A.** When the bottom of the excavation is soft, or where in the opinion of the soils engineer unsatisfactory foundation conditions exist, the contractor shall over excavate to a depth to ensure a proper foundation as directed by the soils engineer. The excavation can then be brought back up to the prescribed grade with a thoroughly compacted granular material.
- 4-B.** All box/vault excavations shall be backfilled to restore pre-existing conditions or to the final grade as specified by the owner.
- 4-C.** All backfill material shall be a granular material as required by the soils engineer. Boxes/vaults shall be designed to have no limitations of backfill height.
- 4-D.** Installation guidelines shall be made available online.



CONCAST

P.O. Box 69
1010 North Star Drive
Zumbrota, MN 55992-0069

Revised 07/28/2023

